

# Installation Instructions



## Surge Arrestors

Bulletin 237855 Revision B Page 1 of 1

Type APTDC Arrestor Plus® DC Pass, Dual Band

Andrew Institute offers installation training.

### Description

These surge arrestors are designed to protect equipment from damaging transients induced by lightning strikes and allow the capability to pass DC current to your TMA or GPS equipment.

### Installation

The arrestor is a *bidirectional* RF device. Thus either RF port may be connected to the equipment side or the antenna side of the transmission line interface to provide equivalent protection. Do not leave the APTDC Surge Arrestor RF ports exposed in outdoor applications.

The APTDC surge arrestor can be grounded using one of the two options shown below. The Bulkhead grounding option is accomplished through the surge arrestor body at the point of attachment to the bulkhead. The standard mounting option is accomplished through the surge arrestor body at the point of attachment through the threaded rod. Both options must be attached to a master ground bar or the systems earth ground ring to ensure a low impedance path to ground.

During installation, all grounding contact surfaces must be clean, dry, and free of oxidation.

### Microwave Performance Testing

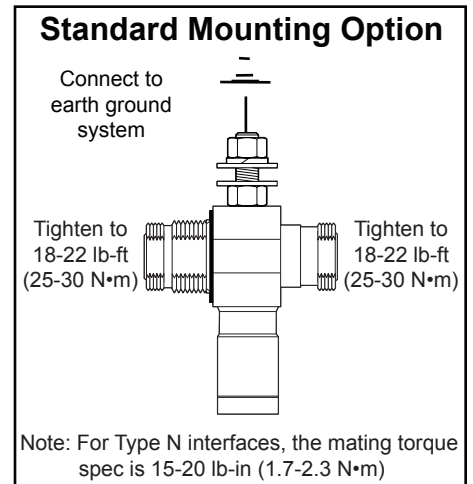
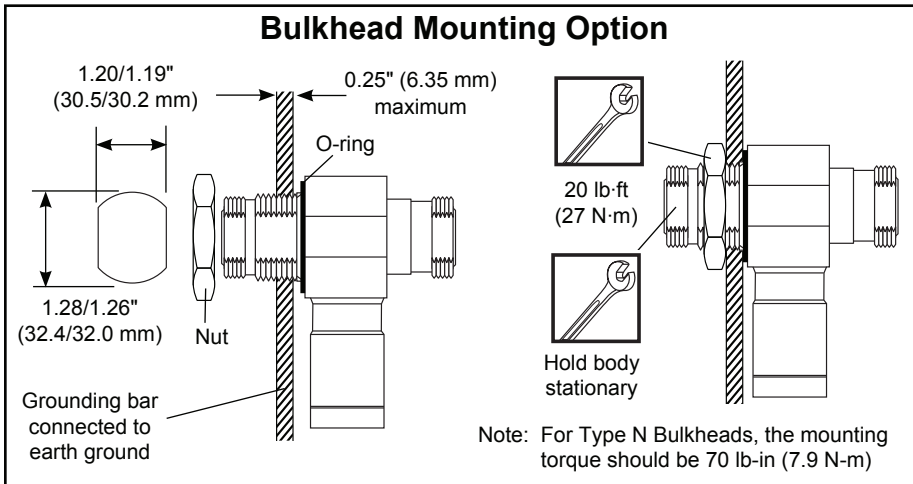
These surge arrestors can be readily tested for microwave performance using any network analyzer. VSWR (return loss) and insertion loss are specified for the operating bandwidth only. Fault location testing can be performed through the arrestor with the appropriate test equipment; that is, a vector network analyzer with time domain capability. Some test equipment manufacturers refer to this type of fault location testing as Frequency Domain Reflectometry (FDR).

### Notice

*The installation, maintenance, or removal of antenna systems requires qualified, experienced personnel. Andrew installation instructions are written for such personnel. Antenna systems should be inspected once a year by qualified personnel to verify proper installation, maintenance, and condition of equipment.*

*Andrew disclaims any liability or responsibility for the results of improper or unsafe installation practices.*

(All interfaces shown are 7-16 DIN Female)



部件名称 (Part Name)	表一 有毒有害物质或元素名称及含量标识格式					
	有毒有害物质或元素					
连接器 (Connector)	铅 (Pb)	汞 (Hg)	镉 (Cd)	六价铬 (Cr6+)	多溴联苯 (PBB)	多溴二苯醚 (PBDE)
	X	O	O	O	O	O

O: 表示有毒有害物质在该部件所有的均质材料中的含量均在SJ/T 11363-2006规定的限量要求以下。  
X: 表示该有毒有害物质至少在该部件的某一均质材料中的含量超出SJ/T 11363-2006规定的限量要求。

### Andrew LLC

#### Customer Service 24 hours

U.S.A., Canada, Mexico:  
for HELIAX® AVA Cables call 1-800-255-1479  
for HELIAX® SFX, FXL Cables call 1-888-235-5732  
U.K.: 0800 250055 Brazil: +55-15-2102-4000  
Other Europe: +44 592 782 612

www.commscope.com

Visit our Web site at [www.commscope.com](http://www.commscope.com) or contact your local Andrew LLC representative for more information.

© 2010 CommScope, Inc. All rights reserved.  
Andrew LLC is a trademark of CommScope. All trademarks identified by ® or ™ are registered trademarks or trademarks, respectively, of CommScope. This document is for planning purposes only and is not intended to modify or supplement any specifications or warranties relating to Andrew LLC products or services.

Notice: Andrew LLC disclaims any liability or responsibility for the results of improper or unsafe installation, inspection, maintenance, or removal practices.  
Aviso: Andrews LLC no acepta ninguna obligación ni responsabilidad como resultado de prácticas incorrectas o peligrosas de instalación, inspección, mantenimiento o retiro.  
Avis: Andrew LLC décline toute responsabilité pour les conséquences de procédures d'installation, d'inspection, d'entretien ou de retrait incorrectes ou dangereuses.  
Hinweis: Andrew LLC lehnt jede Haftung oder Verantwortung für Schäden ab, die aufgrund unsachgemäßer Installation, Überprüfung, Wartung oder Demontage auftreten.  
Atenção: A Andrew LLC abdica do direito de toda responsabilidade pelos resultados de práticas inadequadas e sem segurança de instalação, inspeção, manutenção ou remoção.  
Avvertenza: Andrew LLC declina eventuali responsabilità derivanti dall'esecuzione di procedure di installazione, ispezione, manutenzione e smontaggio improprie o poco sicure.  
注意: Andrew 公司申明對於不恰當或不安全的安裝、檢驗、維修或拆卸操作所導致的後果不負任何義務和責任