

4

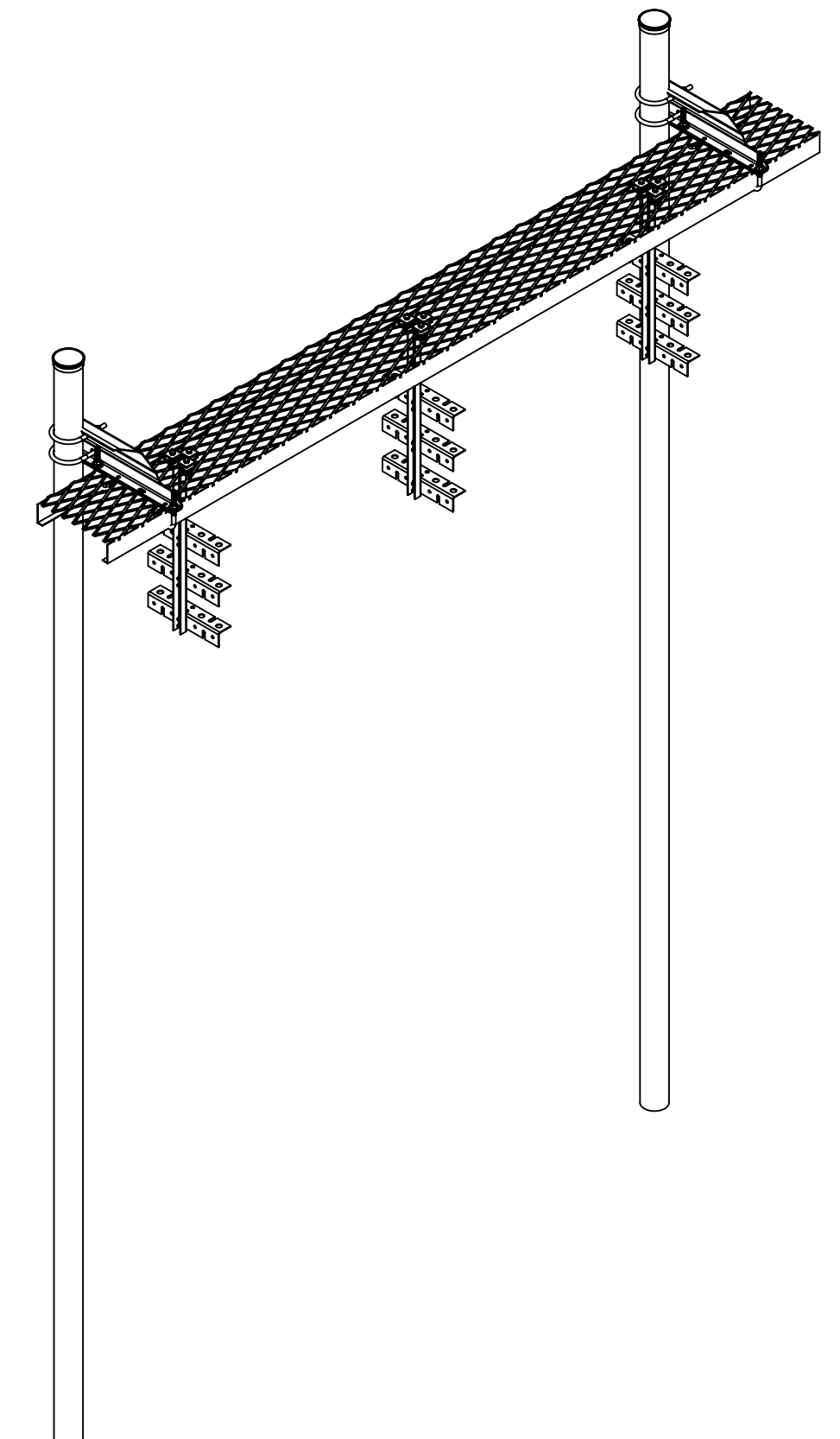
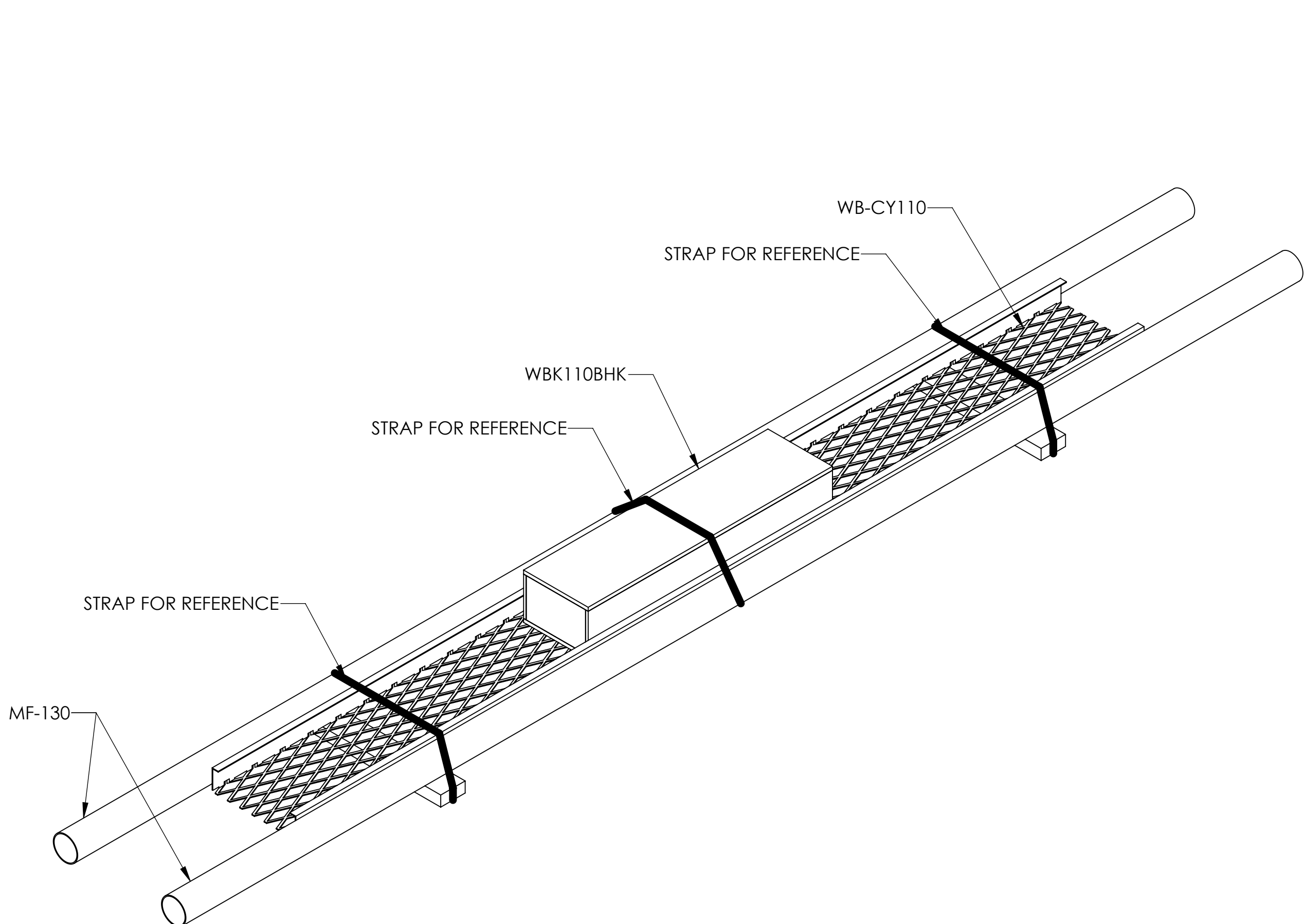
3

2

1

- 1.0 GENERAL NOTES
  - 1.1 ALL METRIC DIMENSIONS ARE IN BRACKETS [X.X]
  - 1.2 FOR PATENT INFO: <https://www.cs-pat.com>
- 2.0 DESIGN NOTES
- 3.0 MANUFACTURING/SPECIAL REQUIREMENTS
  - 3.1 TIGHTEN ALL BOLTS SECURING FLAT PLATES BY THE TURN-OF-NUT METHOD. TIGHTEN ALL U-BOLTS USING TURN-OF-NUT METHOD WITH ATTENTION TO LEAVE EQUAL DISTANCE AND EQUAL FORCE ON EACH LEG OF THE U-BOLT.
- 4.0 TEST
- 5.0 PACKAGING
  - 5.1 PACKAGING SHALL MEET COMMSCOPE REQUIREMENTS PER DOCUMENT IS-PL-3005
  - 5.2 PRINTED DOCUMENT TO BE PLACED INSIDE POLYBAG AND THEN IN SHIPPING CONTAINER
  - 5.3 EXTRA HARDWARE MAYBE SUPPLIED BAGGED AND SHIPPED

REVISIONS			
REV.	DESCRIPTION	DATE	APPROVED
D	UPDATE PART LIST	ACG 07/01/04	
E	REDRAWN IN SOLIDWORKS	ACG 05/20/05	
F	UPDATE SUPPORT BRACKET	ACG 08/28/07	
G	UPDATE HARDWARE KIT QTY	ACG 04/09/09	
H	UPDATED DRAWING TO NEW FORMAT	RY1002 07JUL23	BCROSS 40174944CMO



DENSITY	204.81	lbs/in <sup>3</sup>
MASS	204.81	lbs
VOLUME	1519.30	in <sup>3</sup>
SURFACE AREA	15182.40	in <sup>2</sup>
HEIGHT	160.7[4082.2]	
LENGTH	120.0[3048.0]	
WIDTH	20.1[511.2]	

**COMMSCOPE, INC. OF NORTH CAROLINA**

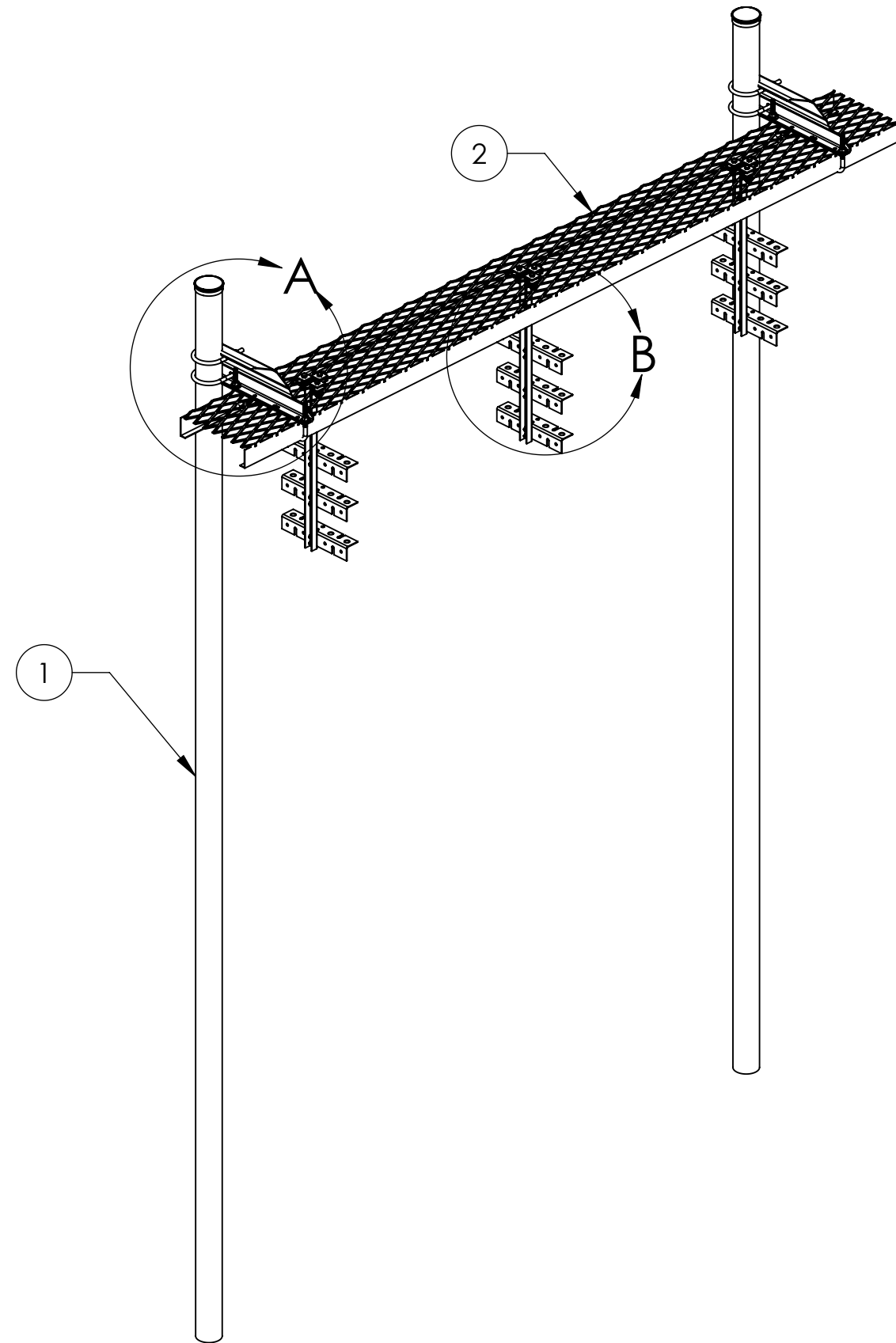
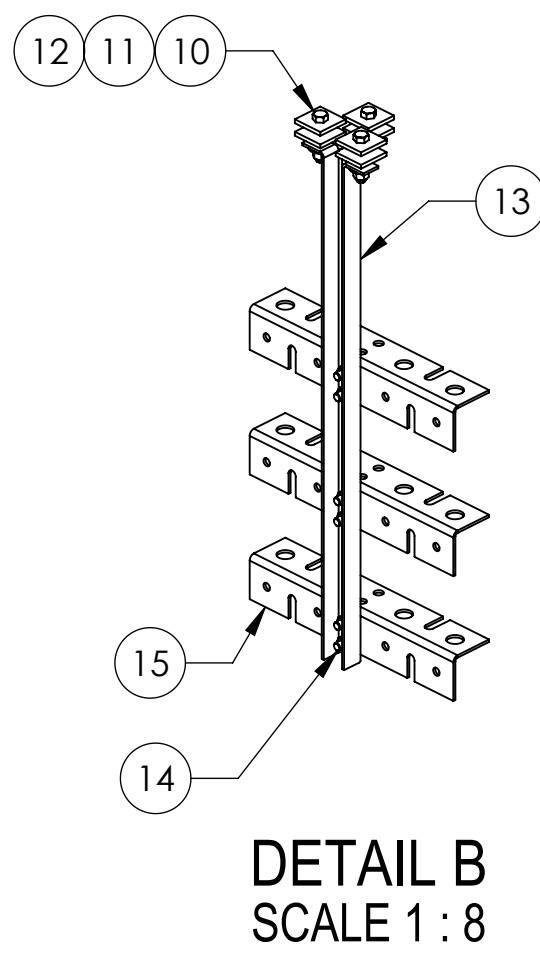
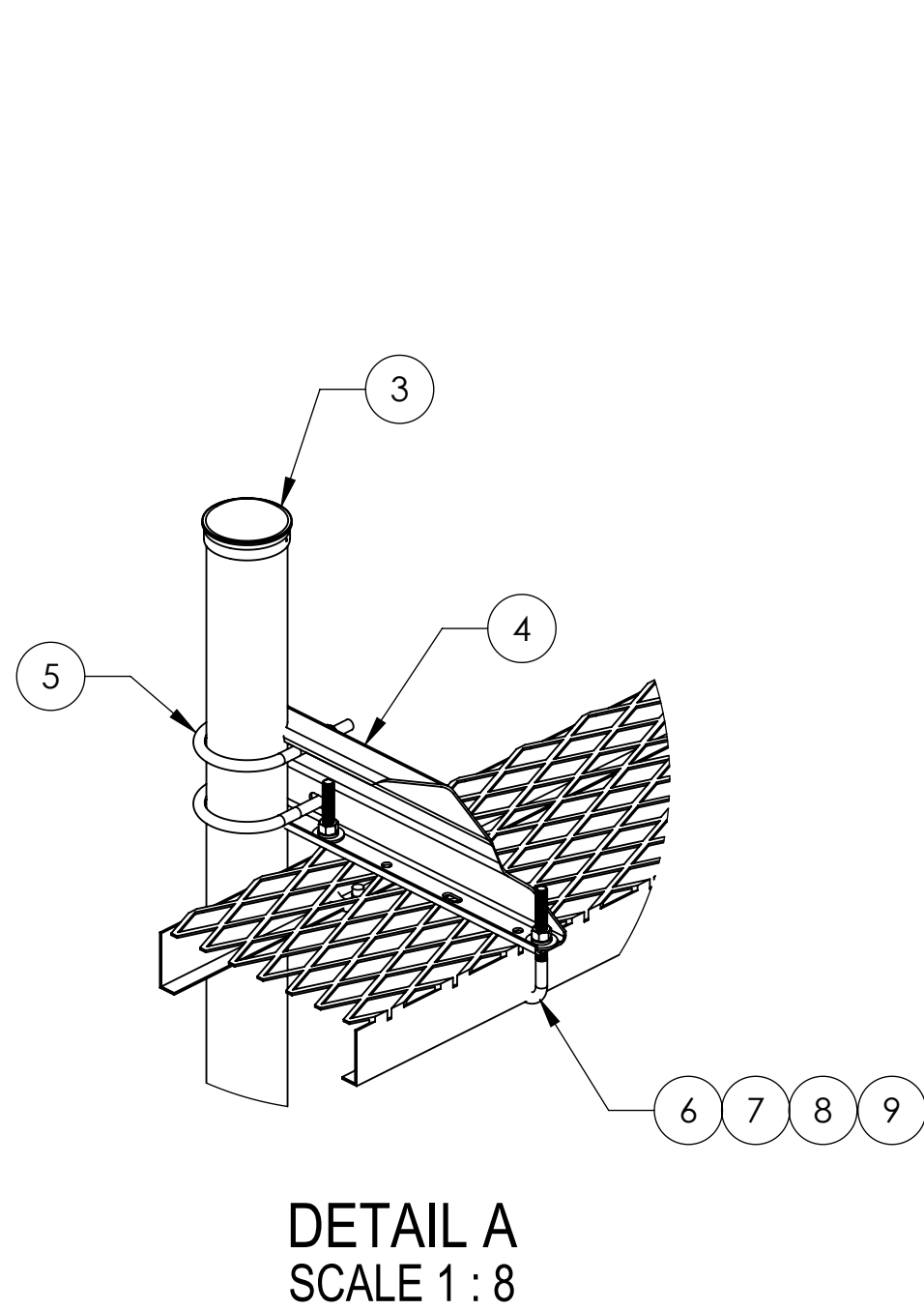
TOLERANCES		SAP MATERIAL MASTER						
1 PLACE .X[X] ± 0.06[1.5]	3 PLACE .XXX[X] ± 0.010[0.3]	<b>WB-K110-B</b>						
2 PLACE .XX[X] ± 0.03[0.8]	ANGLES ± 2°							
FINISH		MATERIAL						
<small>UNLESS OTHERWISE SPECIFIED DIMENSIONS ARE IN INCHES INTERPRET PER ANSI Y 14.5M-1994</small>		NAME	DATE	TITLE				
		CE AW	05/20/05	<b>WAVEGUIDE BRIDGE KIT</b>				
		RW RY1002	07/31/2023					
		AD YMENG	07/31/2023					
		RE RY1002	07/31/2023					
ECN 40174944CMO								
SCALE	DOCUMENT NO.	<b>WB-K110-B</b>						
1:10								
SIZE	Auth Group	INSL	MODEL	DRAWING		SHEET 1 OF 2		
<b>C</b>			VERSION	STATUS	REVISION		VERSION	STATUS
			00	RE	A	01	RE	H

4

3

2

1



COMPONENT PART NUMBERS PROVIDED FOR ASSEMBLY PURPOSES;  
INDIVIDUAL COMPONENTS MAY BE SHIPPED AS PARTS WITHIN AN INCLUDED KIT

ITEM	PART NO.	DESCRIPTION	QTY.	WEIGHT	NOTE NO.
1	MF-130	3.5" O.D. X 13'-4" DIRECT BURIAL PIPE COLUMN	2	57.97 LBS	
2	WB-CY110	SAFETY GRATING 12" X 10'	1	36.54 LBS	
3	PC-034	PIPE CAP 3-1/2"	2	0.66 LBS	
4	WBLB12307	12" WAVEGUIDE BRIDGE SUPPORT BRACKET	2	4.72 LBS	
5	GUB-4356	1/2" X 3-5/8" X 6" GALV U-BOLT	4	0.81 LBS	
6	WBJB6	1/2" J-BOLT	4	0.41 LBS	
7	GWF-04	1/2" GALV FLAT WASHER	4	0.04 LBS	
8	GWL-04	1/2" GALV LOCK WASHER	4	0.01 LBS	
9	GN-04	1/2" GALV HEX NUT	4	0.04 LBS	
10	GB-03205	3/8" X 2" GALV BOLT KIT	9	0.08 LBS	
11	MT-387	SQUARE WASHER 1-1/2"X1-1/2" W/ 7/16 HOLE	18	0.11 LBS	
12	GWF-03	3/8" GALV FLAT WASHER	9	0.01 LBS	
13	WBT243.01	VERTICAL TRAPEZE SECTION	3	2.53 LBS	
14	GB-03105	3/8" X 1" GALV BOLT KIT	18	0.05 LBS	
15	WBT123.02	12" HORIZONTAL TRAPEZE SECTION	9	1.46 LBS	

COMMSCOPE, INC. OF NORTH CAROLINA

TITLE				
<b>WAVEGUIDE BRIDGE KIT</b>				
SIZE	SCALE	DOCUMENT NO.		
<b>C</b>	<b>1:20</b>	<b>WB-K110-B</b>		
DRAWING				SHEET 2 OF 2
VERSION	STATUS	REVISION		
01	RE	H		

© 2023 CommScope, Inc. Confidential

4

3

2

1