

4

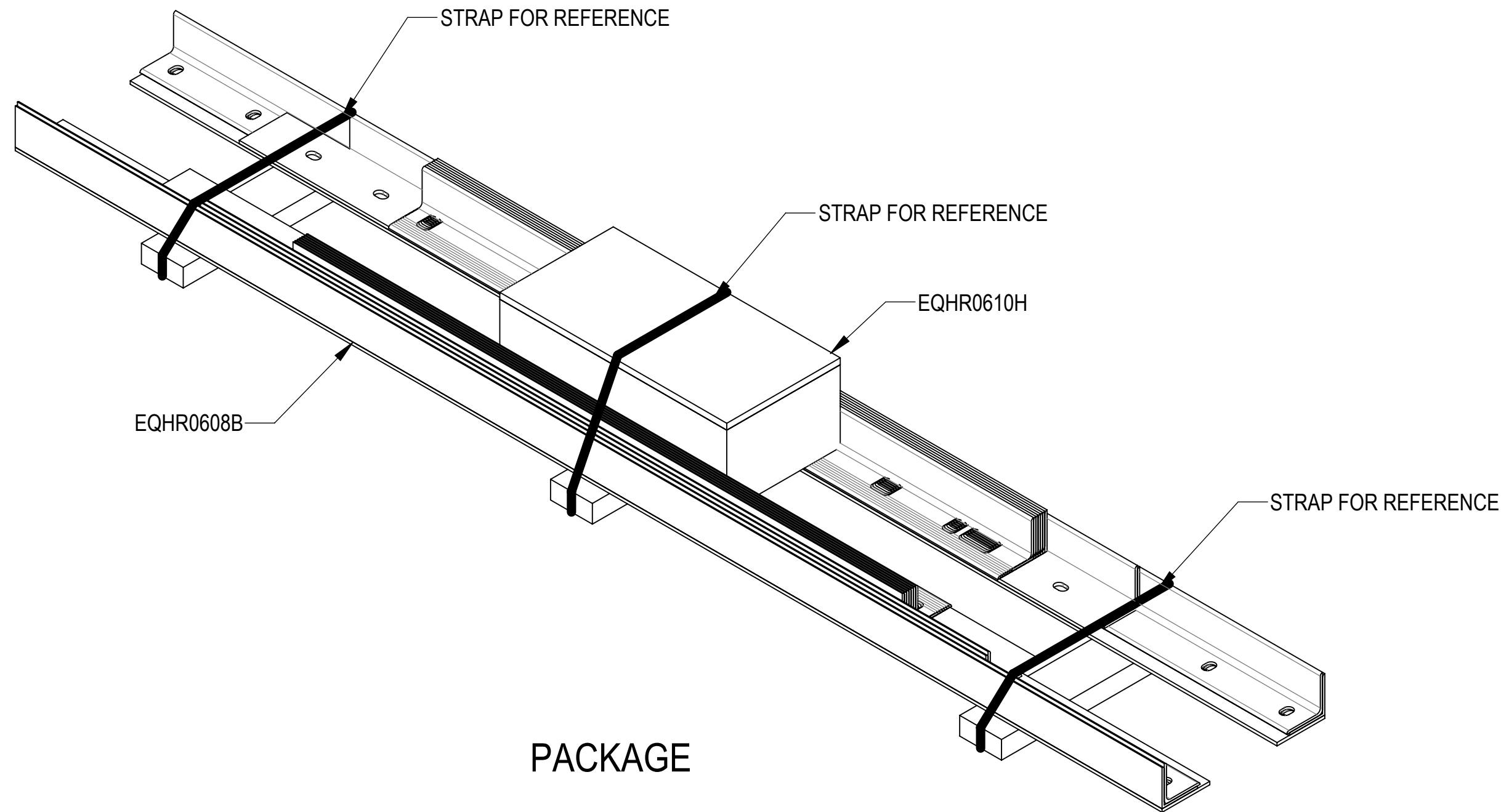
3

2

1

- 1.0 GENERAL NOTES
 - 1.1 ALL METRIC DIMENSIONS ARE IN BRACKETS [X. X]
 - 1.2 FOR PATENT INFO: <https://www.cs-pat.com>
- 2.0 DESIGN NOTES
- 3.0 MANUFACTURING/SPECIAL REQUIREMENTS
 - 3.1 TIGHTEN ALL BOLTS SECURING FLAT PLATES BY THE TURN-OF-NUT METHOD. TIGHTEN ALL U-BOLTS USING TURN-OF-NUT METHOD WITH ATTENTION TO LEAVE EQUAL DISTANCE AND EQUAL FORCE ON EACH LEG OF THE U-BOLT.
- 4.0 TEST
- 5.0 PACKAGING
 - 5.1 PACKAGING SHALL MEET COMMScope REQUIREMENTS PER DOCUMENT IS-PL-3005
 - 5.2 PRINTED DOCUMENT TO BE PLACED INSIDE POLYBAG AND THEN IN SHIPPING CONTAINER
 - 5.3 EXTRA HARDWARE MAYBE SUPPLIED, BAGGED AND SHIPPED

REVISIONS			
REV.	DESCRIPTION	DATE	APPROVED
A	INITIAL RELEASE	YMENG 08OCT23	YW1047 40180716CMO



PACKAGE

COMMScope, INC. OF NORTH CAROLINA

TOLERANCES		SAP MATERIAL MASTER	
1 PLACE .X[X] ± 0.2[6.3]	3 PLACE .XXX[X] ± 0.060[1.5]	EQ-HR0608	
2 PLACE .XX[X] ± 0.12[3.0]	ANGLES ± 2°		
FINISH		MATERIAL	
UNLESS OTHERWISE SPECIFIED DIMENSIONS ARE IN INCHES INTERPRET PER ANSI Y 14.5M-1994		TITLE	
CE	YMENG	08OCT23	HAND-RAIL, EQ PLTFM 6' X 8' KIT
RW	YMENG	10/20/2023	
AD	YW1047	10/22/2023	
RE	YMENG	10/22/2023	
ECN	40180716CMO		
SCALE		DOCUMENT NO.	
1:12		EQ-HR0608	
SIZE	Auth Group	INSL	MODEL
C	⊕	◁	VERSION STATUS REVISION
			00 RE A
		DRAWING	
		VERSION STATUS REVISION	
		00 RE A	
			SHEET
			1 OF 2

DENSITY		lbs/in ³
MASS	576.18	lbs
VOLUME	2044.71	in ³
SURFACE AREA	21514.36	in ²
HEIGHT	51.0"	
LENGTH	96.0"	
WIDTH	72.0"	

4

3

2

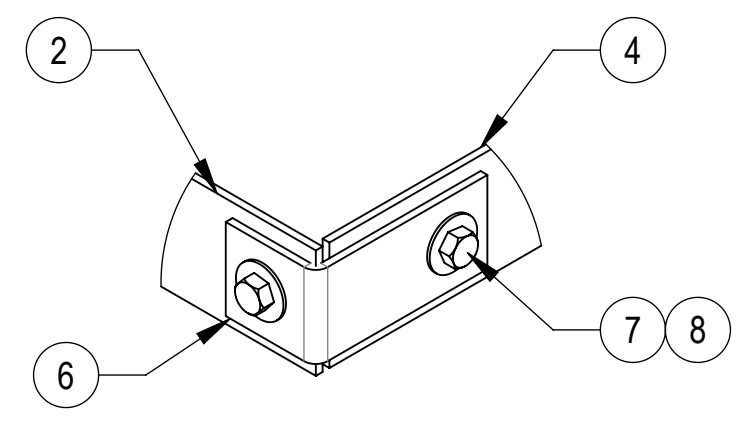
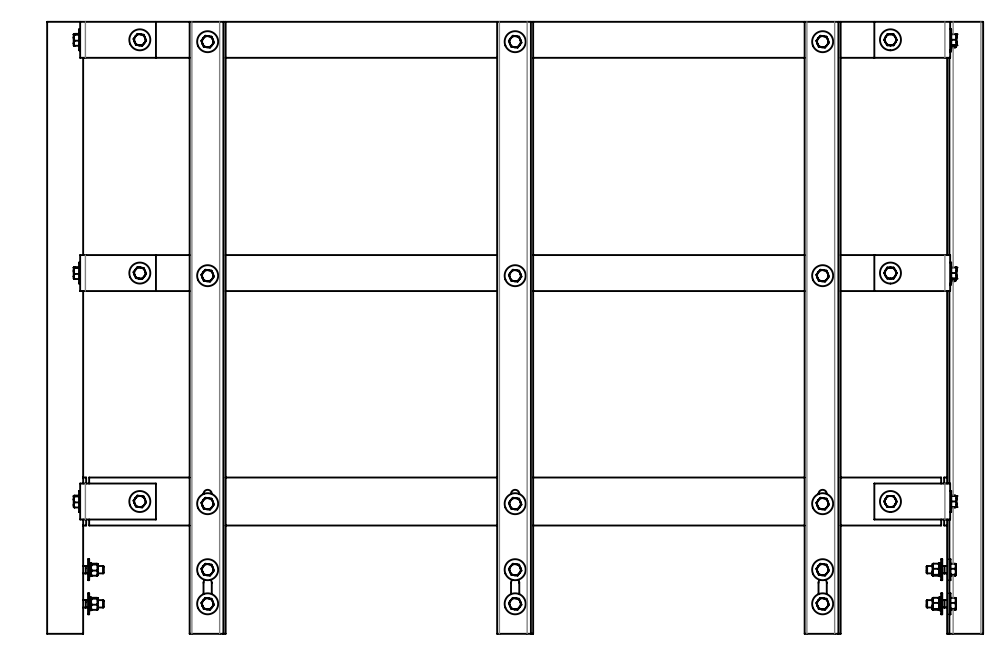
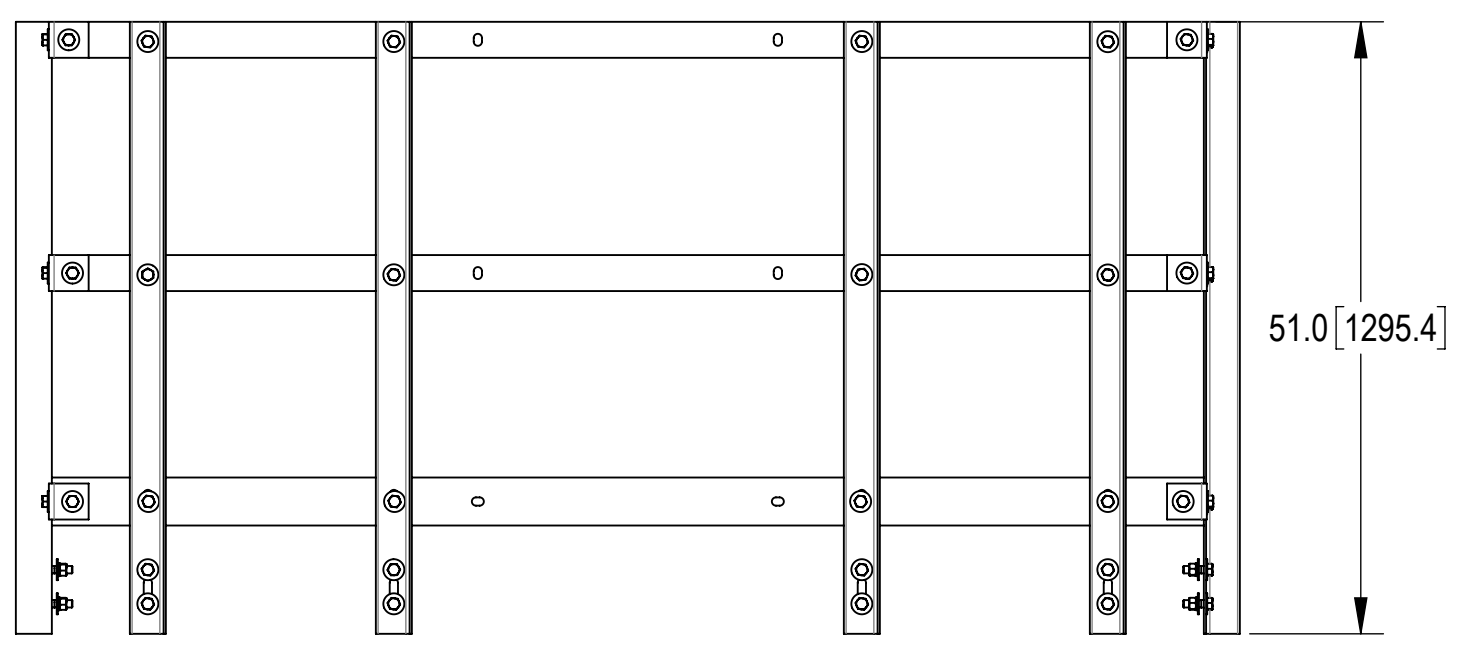
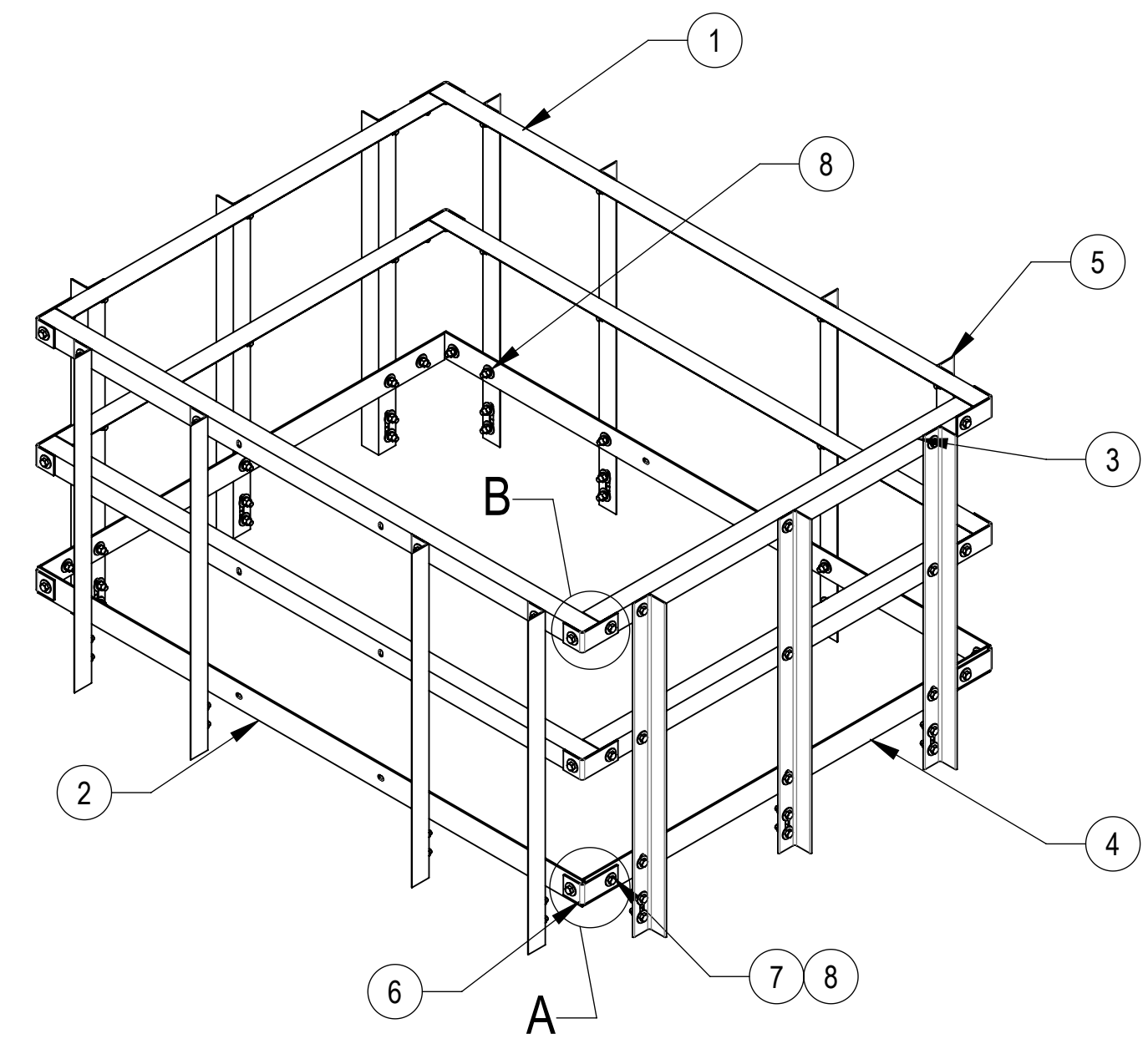
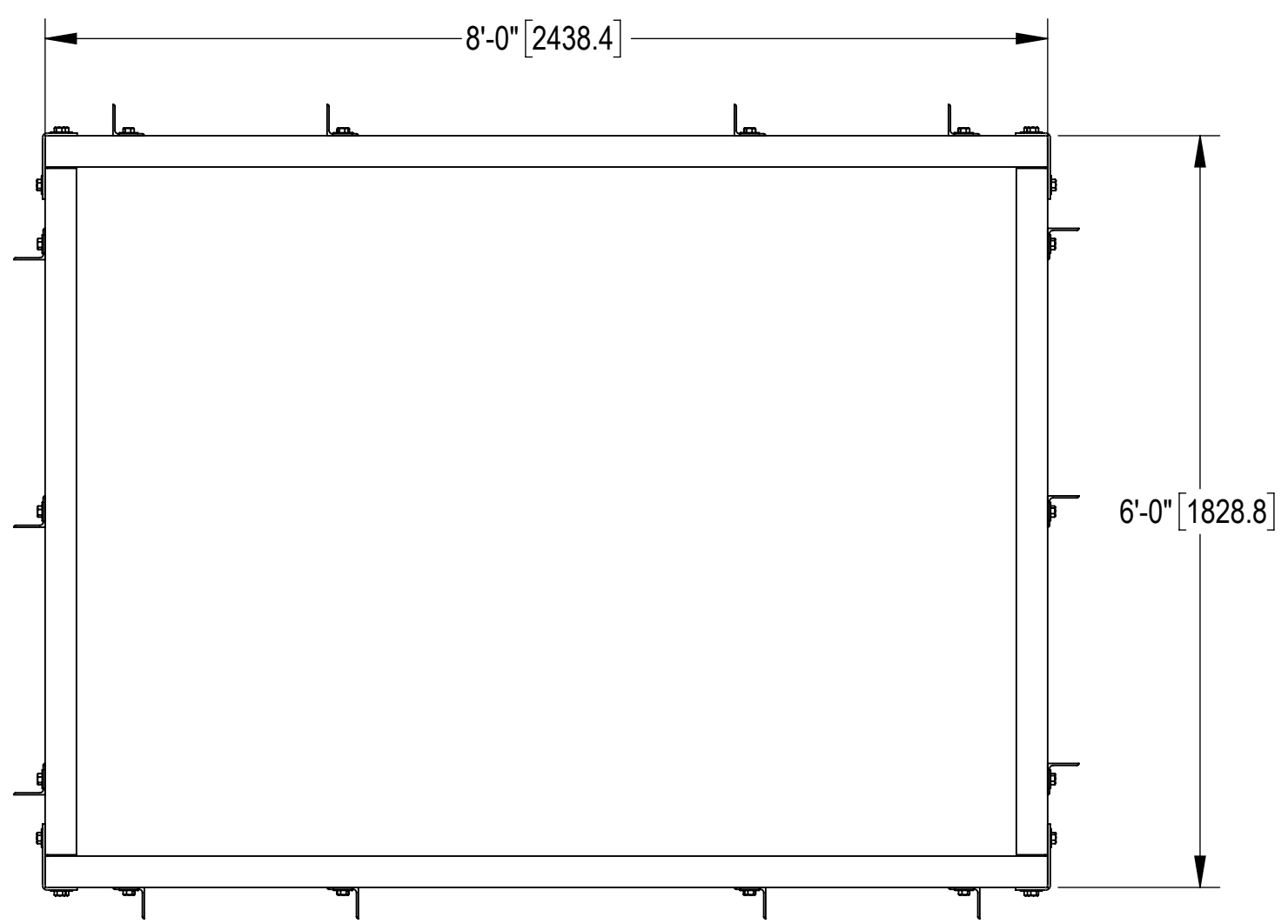
1

4

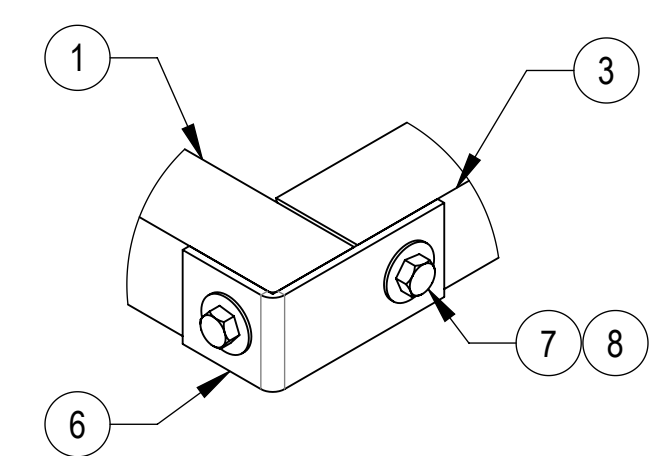
3

2

1



DETAIL A
SCALE 1 : 5



DETAIL B
SCALE 1 : 5

COMPONENT PART NUMBERS PROVIDED FOR ASSEMBLY PURPOSES;
INDIVIDUAL COMPONENTS MAY BE SHIPPED AS PARTS WITHIN AN INCLUDED KIT.

ITEM	PART NO.	DESCRIPTION	QTY.	WEIGHT	NOTE NO.
1	MTC7902080807	8' SIDE HANDRAIL	4	29.39 LBS	
2	MTC7902080808	8' SIDE TOEBOARD	2	26.72 LBS	
3	MTC7902060606	6' SIDE HANDRAIL	4	20.15 LBS	
4	MTC7902060607	6' SIDE TOEBOARD	2	19.80 LBS	
5	EQHR01	HANDRAIL POST	14	15.52 LBS	
6	MTC790208	HANDRAIL ANGLE CLIP	12	1.87 LBS	
7	GB-05205	5/8" X 2" GALV BOLT KIT	94	0.26 LBS	
8	GWF-05	5/8" GALV FLAT WASHER, 1.70D	188	0.06 LBS	

COMMSCOPE, INC. OF NORTH CAROLINA					
TITLE HAND-RAIL, EQ PLTFM 6' X 8' KIT					
SIZE C	SCALE 1:16	DOCUMENT NO. EQ-HR0608			
		DRAWING			SHEET 2 OF 2
		VERSION 00	STATUS RE	REVISION A	
© 2023 CommScope, Inc. Confidential					

4

3

2

1