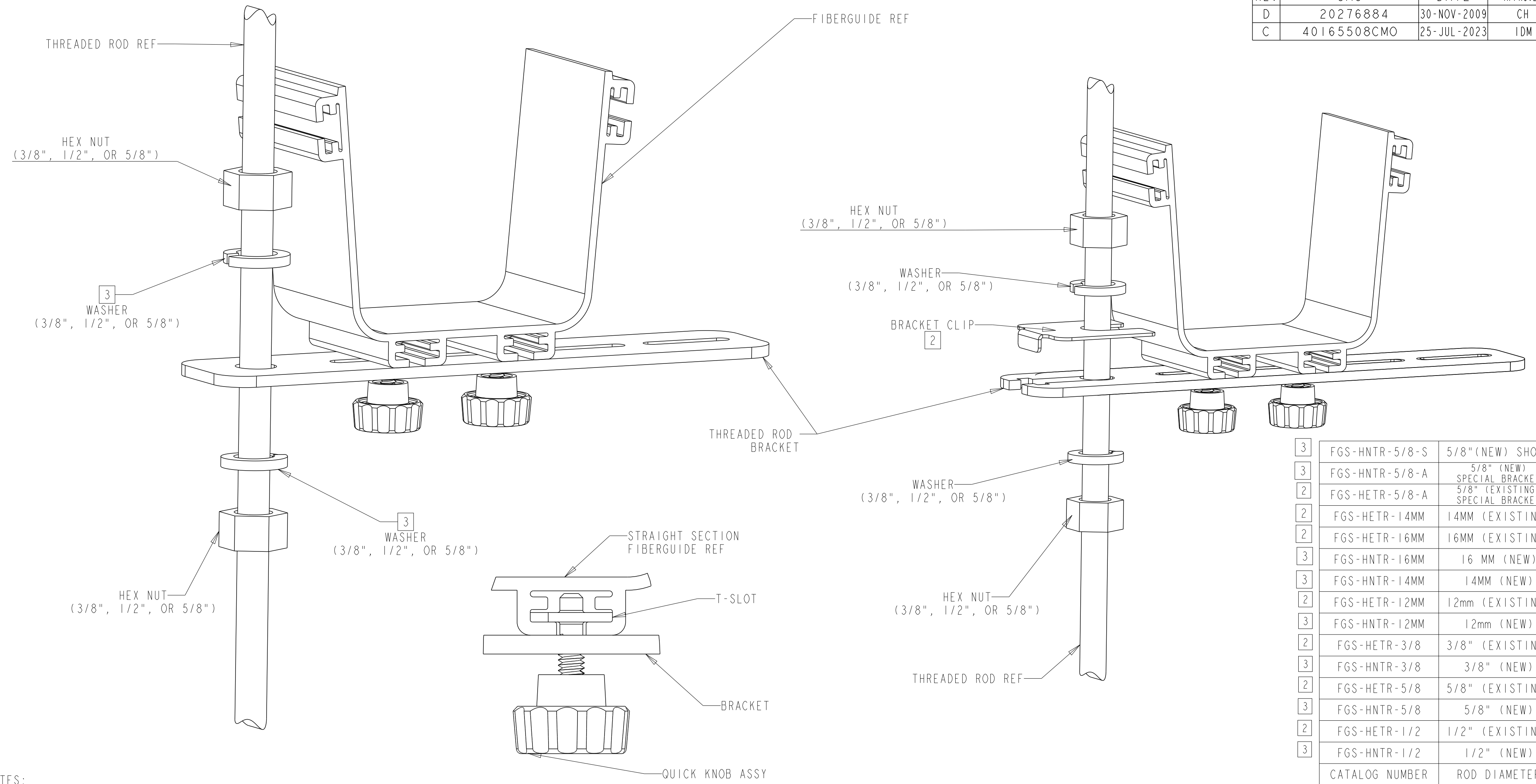


REVISIONS			
REV	CMO	DATE	APPROVED
D	20276884	30-NOV-2009	CH
C	40165508CMO	25-JUL-2023	IDM



	CATALOG NUMBER	ROD DIAMETER
3	FGS-HNTR-5/8-S	5/8" (NEW) SHORT
3	FGS-HNTR-5/8-A	5/8" (NEW) SPECIAL BRACKET
2	FGS-HETR-5/8-A	5/8" (EXISTING) SPECIAL BRACKET
2	FGS-HETR-14MM	14MM (EXISTING)
2	FGS-HETR-16MM	16MM (EXISTING)
3	FGS-HNTR-16MM	16 MM (NEW)
3	FGS-HNTR-14MM	14MM (NEW)
2	FGS-HETR-12MM	12mm (EXISTING)
3	FGS-HNTR-12MM	12mm (NEW)
2	FGS-HETR-3/8	3/8" (EXISTING)
3	FGS-HNTR-3/8	3/8" (NEW)
2	FGS-HETR-5/8	5/8" (EXISTING)
3	FGS-HNTR-5/8	5/8" (NEW)
2	FGS-HETR-1/2	1/2" (EXISTING)
3	FGS-HNTR-1/2	1/2" (NEW)

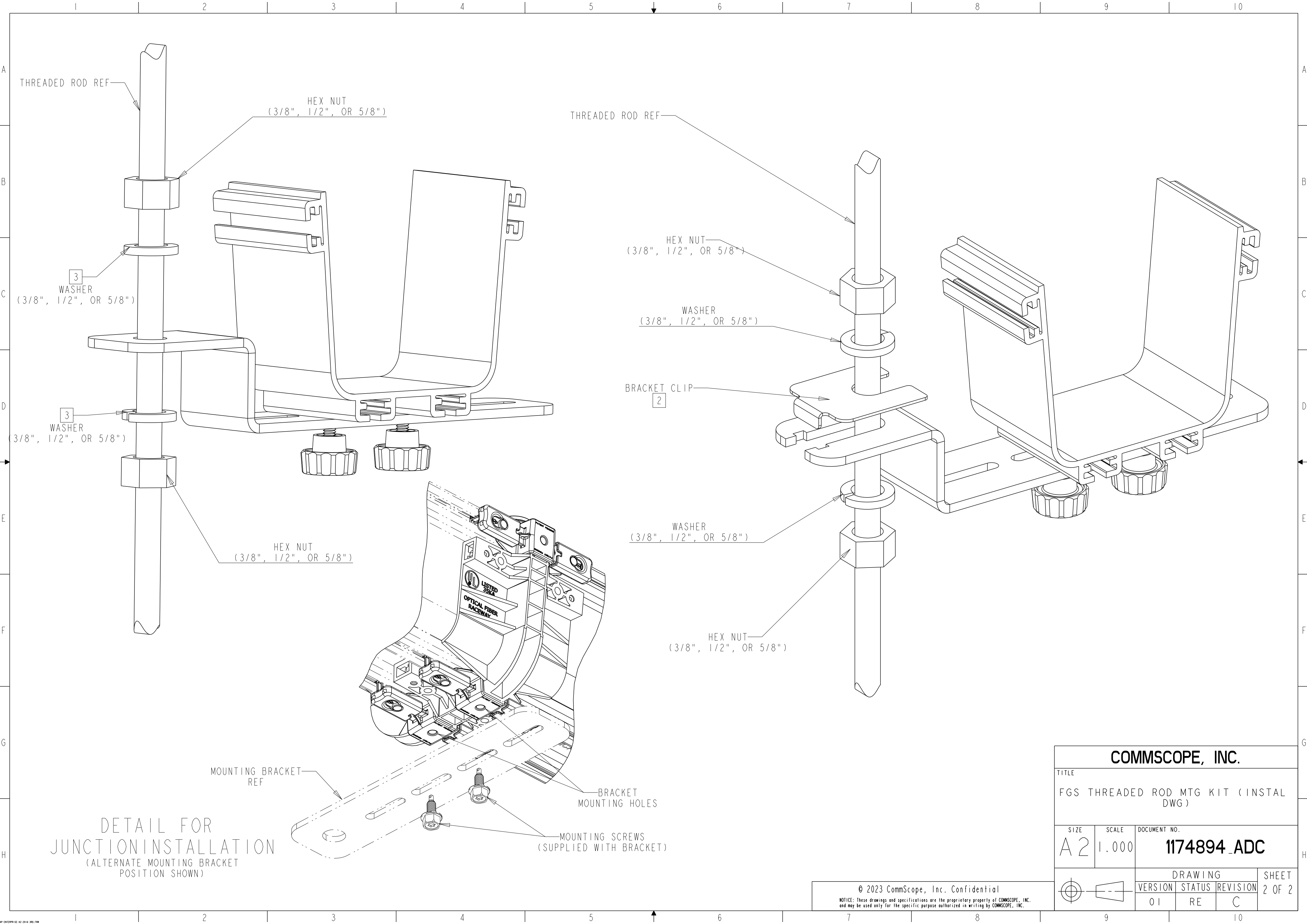
- NOTES:
- ITEMS INCLUDED WITH KIT ARE LISTED IN TABLE.
 - BRACKET CLIP USED WITH EXISTING APPLICATIONS ONLY.
 - LOCK WASHER USED WITH NEW APPLICATIONS ONLY.
 - NOT ALL CONFIGURATIONS SHOWN AND/OR LISTED.
 - QUICK KNOB INSTALLATION INSTRUCTIONS:
INSERT QUICK KNOB THROUGH BRACKET, ROTATE 90°, AND INTO T-SLOT IN FGS STRAIGHT SECTION. ROTATE CLOCKWISE SUCH THAT THE FLANGES EXTEND INTO T-SLOT. SEE DETAIL A.
 - SEE DETAIL B FOR JUNCTION MOUNTING OPTION. USE 1/4 INCH SCREWS INCLUDED WITH KIT.

PARTS LIST	
DESCRIPTION	QTY
THREADED ROD BRACKET	1
2 BRACKET CLIP	1
HEX NUT (3/8", 1/2", OR 5/8")	2
3 SPLIT LOCK WASHER (3/8", 1/2", 5/8")	2
SCREW, THD FORM 1/4-20	2
QUICK KNOB ASSEMBLY	2

COMMSCOPE, INC.

TOLERANCES .XX:±N/A .XXX:±N/A ANGULAR:±N/A		SAP MATERIAL MASTER	
FINISH		MATERIAL	
DRAFTER CRAIG ZELASKO		TITLE FGS THREADED ROD MTG KIT (INSTAL DWG)	
CHECKER RUBEN ARVILLA		SIZE A2	SCALE 1.000
ENGINEER DEREK DERKS		DOCUMENT NO. 1174894_ADC	
CMO 40165508CMO	AUTH GRP: ISPF	MODEL	DRAWING
VERSION 01	STATUS RE	REVISION C	SHEET 1 OF 2

© 2023 CommScope, Inc. Confidential
 NOTICE: These drawings and specifications are the proprietary property of COMMSCOPE, INC. and may be used only for the specific purpose authorized in writing by COMMSCOPE, INC.



DETAIL FOR
JUNCTION INSTALLATION
(ALTERNATE MOUNTING BRACKET
POSITION SHOWN)

COMMSCOPE, INC.			
TITLE FGS THREADED ROD MTG KIT (INSTAL DWG)			
SIZE A2	SCALE 1.000	DOCUMENT NO. 1174894_ADC	
DRAWING			SHEET
VERSION 01	STATUS RE	REVISION C	2 OF 2

© 2023 CommScope, Inc. Confidential
NOTICE: These drawings and specifications are the proprietary property of COMMSCOPE, INC. and may be used only for the specific purpose authorized in writing by COMMSCOPE, INC.