

4

3

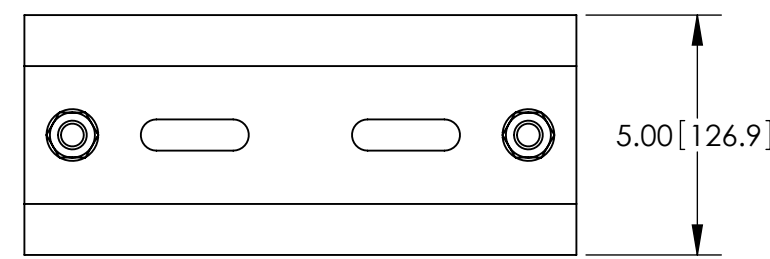
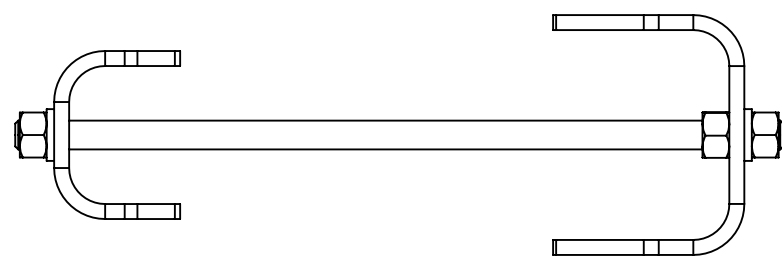
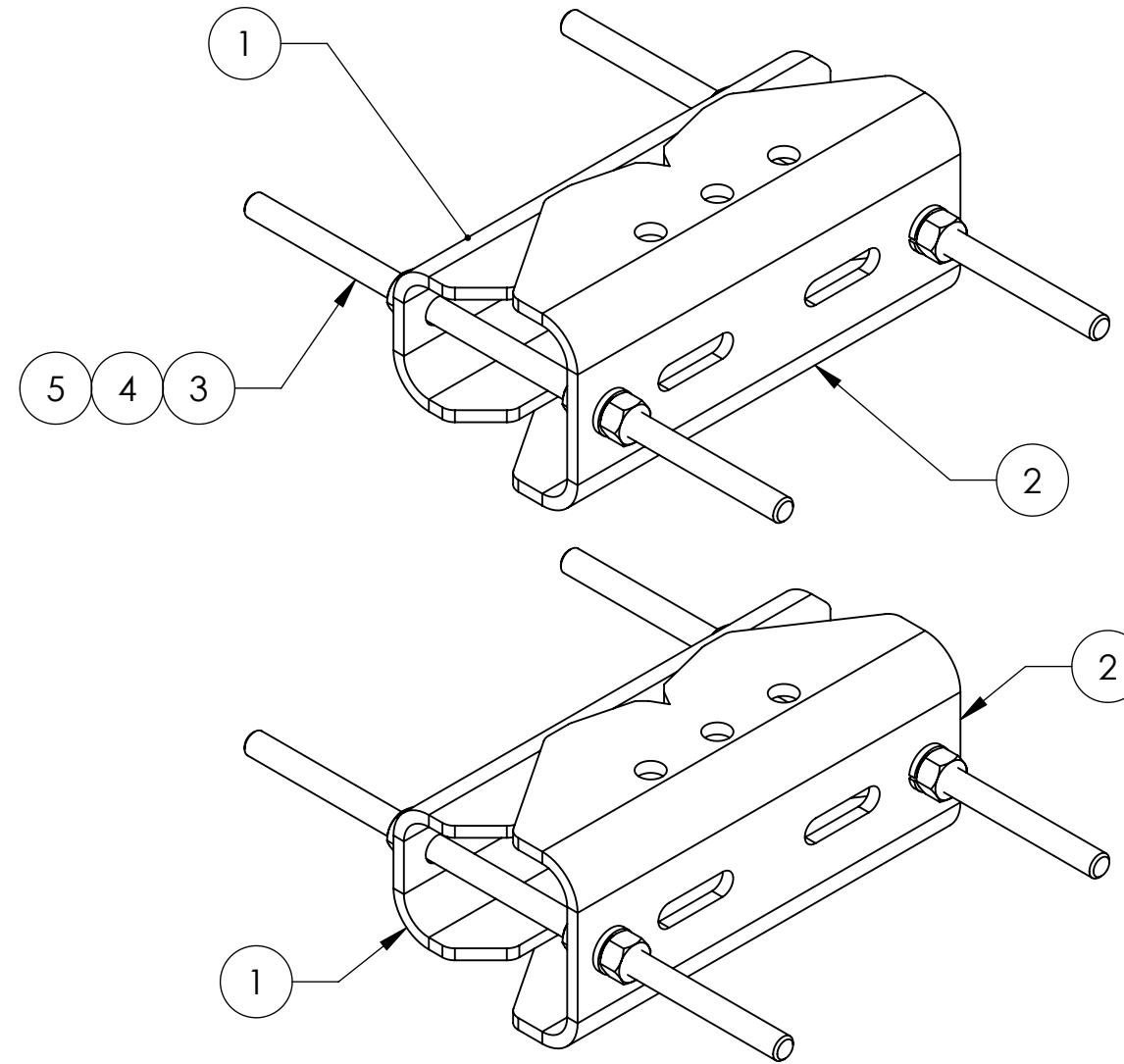
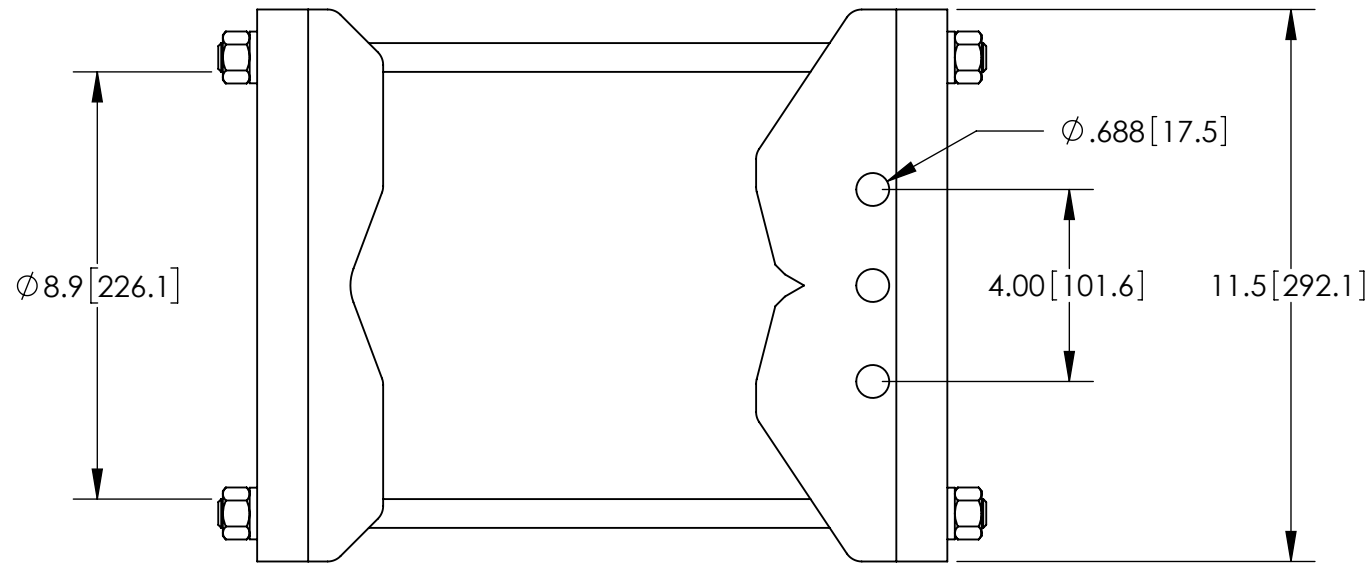
2

1

NOTES:

1.0 ALL METRIC DIMENSIONS ARE IN BRACKETS.

REVISIONS				
REV.	ECN	DESCRIPTION	BY	DATE
K		UPDATE ITEM 1	ACG	04/03/03
M		UPDATE BOM	ACG	07/07/03
N		UPDATE ITEM 11	ACG	01/14/04
P		UPDATE DESIGN	AW	10/20/04
R		REPLACE SMU2080.05 WITH SMU2080.06	ACG	03/31/08
T		UPDATE SMU2080.06 AND SMU2080.04	MSM	05/06/09
U		UPDATE ISO VIEW	MSM	09/25/12
V	8000030482	UPDATED DESIGN & FROMAT	RJC	06/25/18
W	8000031008	REPLACED 3/4 HDW WITH 5/8 HDW	RJC	08/23/18



ITEM	PART NO.	DESCRIPTION	QTY.	WEIGHT	NOTE NO.
1	MTC397521	CLAMP, BACK	2	6.94 LBS	
2	MTC397522	CLAMP, FRONT MOUNTING	2	10.02 LBS	
3	MT-382-16	5/8" X 16" THREADED ROD	4	1.28 LBS	
4	GN-05	5/8" GALV HEX NUT	12	0.08 LBS	
5	GWL-05	5/8" GALV LOCK WASHER	8	0.03 LBS	



DENSITY	0.67	lbs/in ³
MASS	47.47	lbs
VOLUME	71.05	in ³
SURFACE AREA		in ²
HEIGHT		
LENGTH		
WIDTH		

COMMSCOPE, INC. OF NORTH CAROLINA

TOLERANCES		SAP MATERIAL MASTER	
0 PLACE X ± .25	2 PLACE .XX ± .03	SM-U2080	
1 PLACE .X ± .06	ANGLES ± 2°		
FINISH GALV A123		MATERIAL A1011/A1018	
<small>UNLESS OTHERWISE SPECIFIED DIMENSIONS ARE IN INCHES INTERPRET PER ANSI Y 14.5M-1994</small>		NAME	DATE
		CE AW	10/20/04
		RW RD1048	02/01/2019
		RV RD1048	02/01/2019
AD RD1048	02/01/2019	UNIVERSAL SADDLE MOUNT	
RE RD1048	02/01/2019		
ECN 008000031008		SCALE 1:4	DOCUMENT NO. SM-U2080
SIZE C	WORK AREA 24	MODEL	
		DRAWING	
		VERSION 00	STATUS RE
		REVISION V	VERSION 01
		STATUS RE	REVISION W
		SHEET 1 OF 1	

4

3

2

1