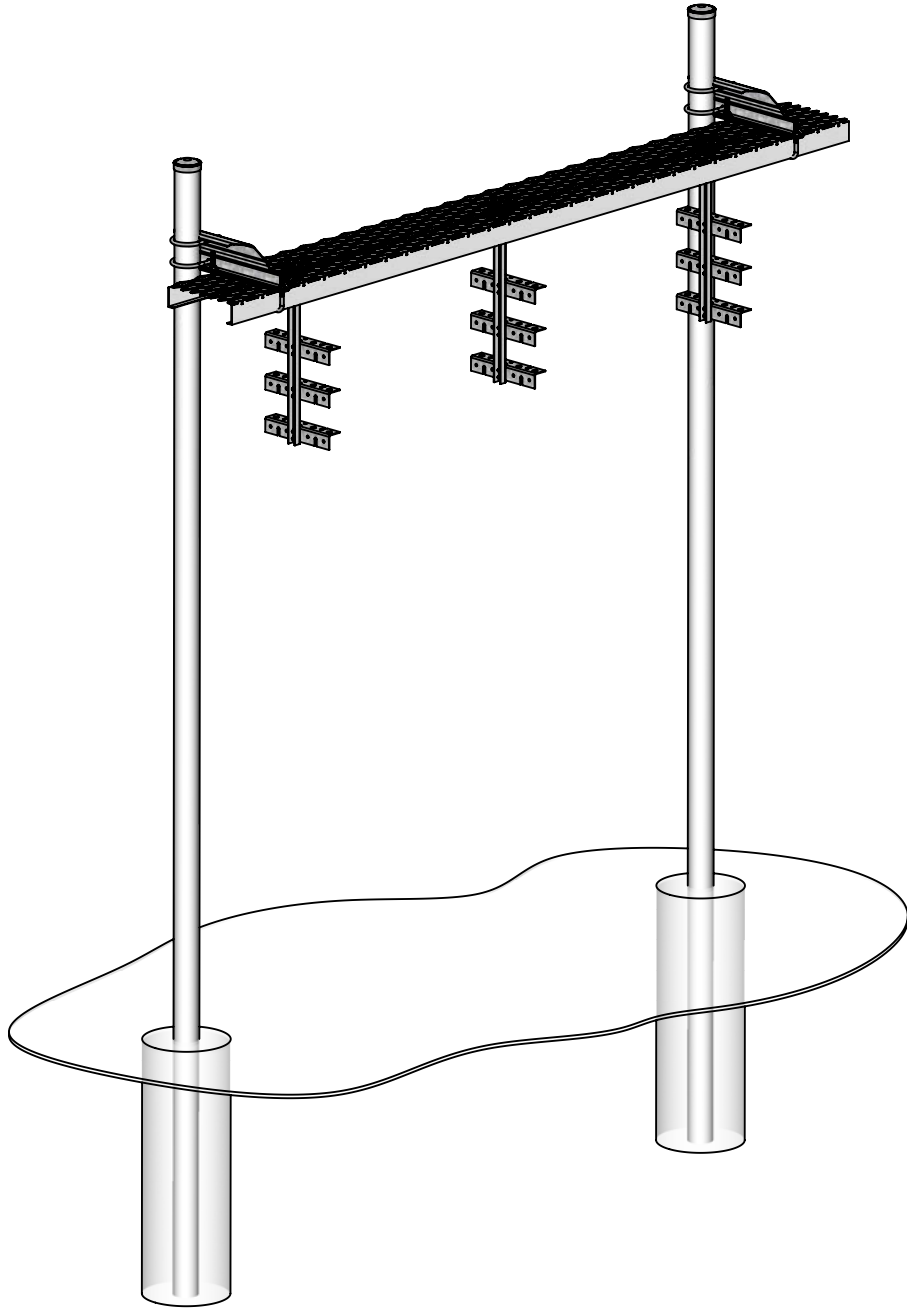
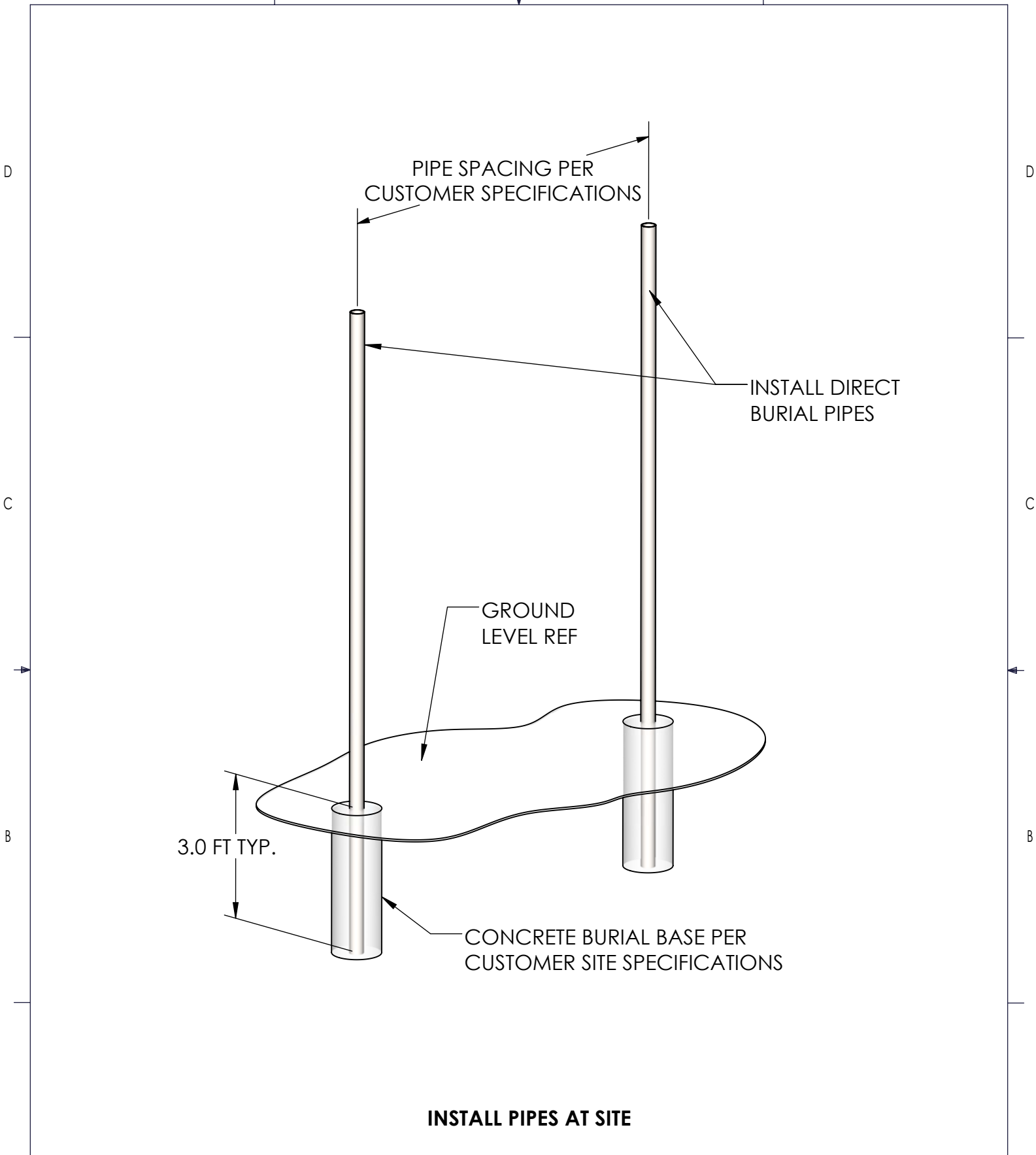


REVISIONS			
REV.	DESCRIPTION	BY	DATE
A	INITIAL RELEASE	MJP	07/14/2023



**TYPICAL WB-K110-B WAVEGUIDE  
BRIDGE INSTALLATION**

<p>These drawings and specifications are the proprietary property of Commscope Inc. and may be used only for the specific purpose authorized in writing by Commscope Inc.</p> <p>ALL DIMENSIONS ARE IN INCHES U.O.S. TOLERANCES UNLESS OTHERWISE SPECIFIED:</p> <table border="0"> <tr> <td>.X = ±</td> <td>.12</td> <td>ANGLES</td> <td>±2°</td> </tr> <tr> <td>.XX = ±</td> <td>.06</td> <td>FRACTIONS</td> <td>±1/32</td> </tr> <tr> <td>.XXX = ±</td> <td>.031</td> <td></td> <td></td> </tr> </table> <p>REMOVE BURRS AND BREAK EDGES .005</p> <p>DO NOT SCALE THIS PRINT</p>	.X = ±	.12	ANGLES	±2°	.XX = ±	.06	FRACTIONS	±1/32	.XXX = ±	.031			DRAWN BY: MJP	SHEET: 1 of 4	PART NUMBER: WB-K110-B INSTALLATION LAYOUT
	.X = ±	.12	ANGLES	±2°											
	.XX = ±	.06	FRACTIONS	±1/32											
	.XXX = ±	.031													
CHECKED BY:	SCALE:	DESCRIPTION:													
DATE:	MATERIAL:	DRAWING TYPE:													
REVISION: A	FINISH:	WEIGHT:													



**INSTALL PIPES AT SITE**

<p>These drawings and specifications are the proprietary property of Commscope Inc. and may be used only for the specific purpose authorized in writing by Commscope Inc.</p> <p>ALL DIMENSIONS ARE IN INCHES U.O.S. TOLERANCES UNLESS OTHERWISE SPECIFIED:</p> <table border="0"> <tr> <td>.X = ±</td> <td>.12</td> <td>ANGLES</td> <td>±2°</td> </tr> <tr> <td>.XX = ±</td> <td>.06</td> <td>FRACTIONS</td> <td>±1/32</td> </tr> <tr> <td>.XXX = ±</td> <td>.031</td> <td></td> <td></td> </tr> </table> <p>REMOVE BURRS AND BREAK EDGES .005</p> <p>DO NOT SCALE THIS PRINT</p>	.X = ±	.12	ANGLES	±2°	.XX = ±	.06	FRACTIONS	±1/32	.XXX = ±	.031			<p>DRAWN BY: MJP</p>	<p>SHEET: 2 of 4</p>	<p>PART NUMBER: WB-K1 10-B INSTALLATION LAYOUT</p>
	.X = ±	.12	ANGLES	±2°											
	.XX = ±	.06	FRACTIONS	±1/32											
	.XXX = ±	.031													
<p>CHECKED BY:</p>	<p>SCALE:</p>	<p>DESCRIPTION:</p>													
<p>DATE:</p>	<p>MATERIAL:</p>	<p>DRAWING TYPE:</p>													
<p>REVISION: <b>A</b></p>	<p>FINISH:</p>	<p>WEIGHT:</p>	<p><b>COMMSCOPE®</b></p>												

4

3

2

1

D

D

C

C

B

B

A

A

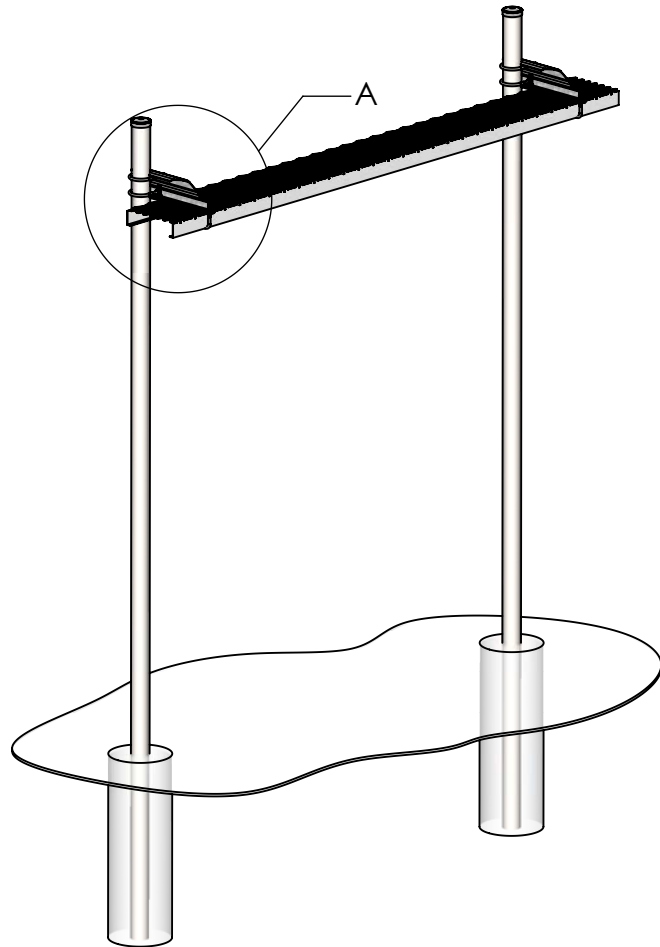
1/2" U-BOLT HARDWARE

FIRST INSTALL WB-LB12-3  
WAVEGUIDE BRIDGE SUPPORT  
BRACKET KITS TO POLES WITH U-BOLTS  
(2 PLACES)

NEXT INSTALL WB-CY110  
HORIZONTAL GRATING  
WITH J BOLTS

1/2" J-BOLT HARDWARE

DETAIL A



### INSTALL HORIZONTAL SUPPORT BRACKETS AND GRATING

These drawings and specifications are the proprietary property of CommScope Inc. and may be used only for the specific purpose authorized in writing by CommScope Inc.

DRAWN BY: MJP	SHEET: 3 of 4	PART NUMBER: WB-K110-B INSTALLATION LAYOUT
CHECKED BY:	SCALE:	DESCRIPTION:
DATE:	MATERIAL:	DRAWING TYPE:
REVISION: A	FINISH:	
	WEIGHT:	

ALL DIMENSIONS ARE IN INCHES U.O.S.  
TOLERANCES UNLESS OTHERWISE SPECIFIED:

.X = ±	.12	ANGLES	±2°
.XX = ±	.06	FRACTIONS	±1/32
.XXX = ±	.031		

REMOVE BURRS AND BREAK EDGES .005

DO NOT SCALE THIS PRINT

4

3

2

1

4

3

2

1

D

D

C

C

B

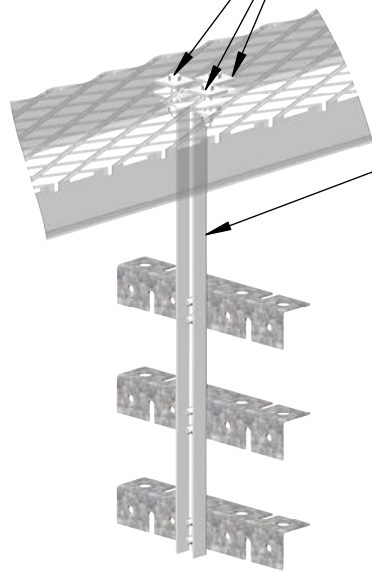
B

A

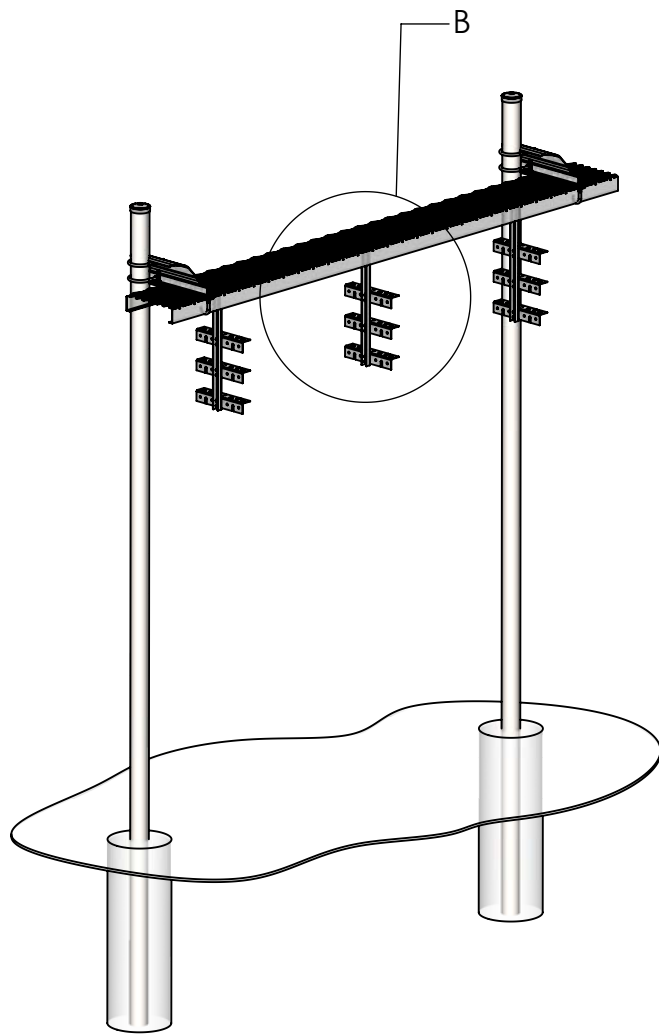
A

3/8" BOLT AND SQUARE WASHER  
HARDWARE TYPICAL

INSTALL WB-T12-3  
3 RUNG TRAPEZE KITS



DETAIL B



**INSTALL 3 RUNG TRAPEZE KITS**

These drawings and specifications are the proprietary property of CommScope Inc. and may be used only for the specific purpose authorized in writing by CommScope Inc.

ALL DIMENSIONS ARE IN INCHES U.O.S.  
TOLERANCES UNLESS OTHERWISE SPECIFIED:  
.X = ± .12 ANGLES ±2°  
.XX = ± .06 FRACTIONS ±1/32  
.XXX = ± .031

REMOVE BURRS AND BREAK EDGES .005

DO NOT SCALE THIS PRINT

DRAWN BY:  
MJP

CHECKED BY:

DATE:

REVISION:

A

SHEET:  
4 of 4

SCALE:

MATERIAL:

FINISH:

WEIGHT:

PART NUMBER:

WB-K1 10-B INSTALLATION LAYOUT

DESCRIPTION:

DRAWING TYPE:

**COMMSCOPE®**

4

3

2

1