

4

3

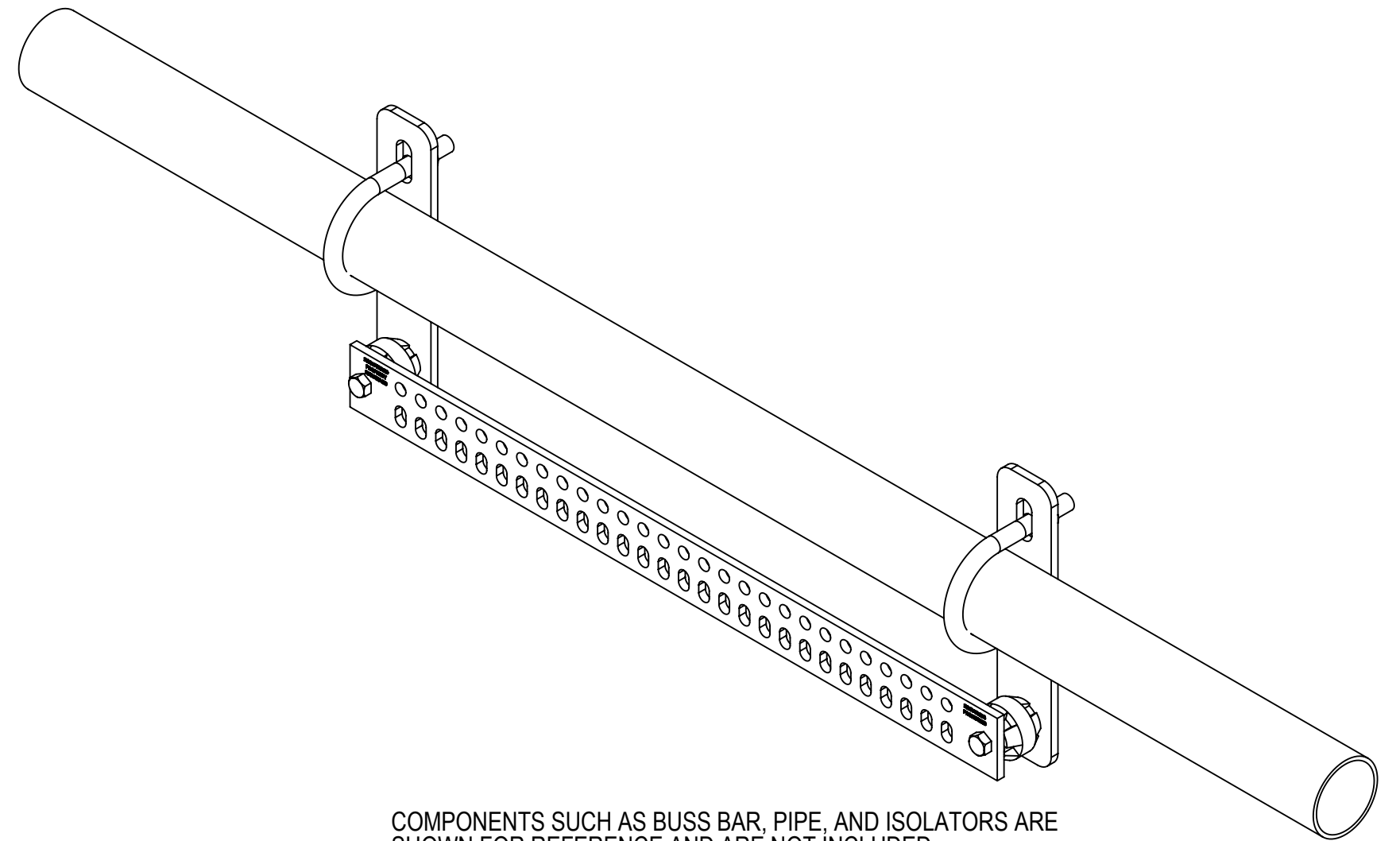
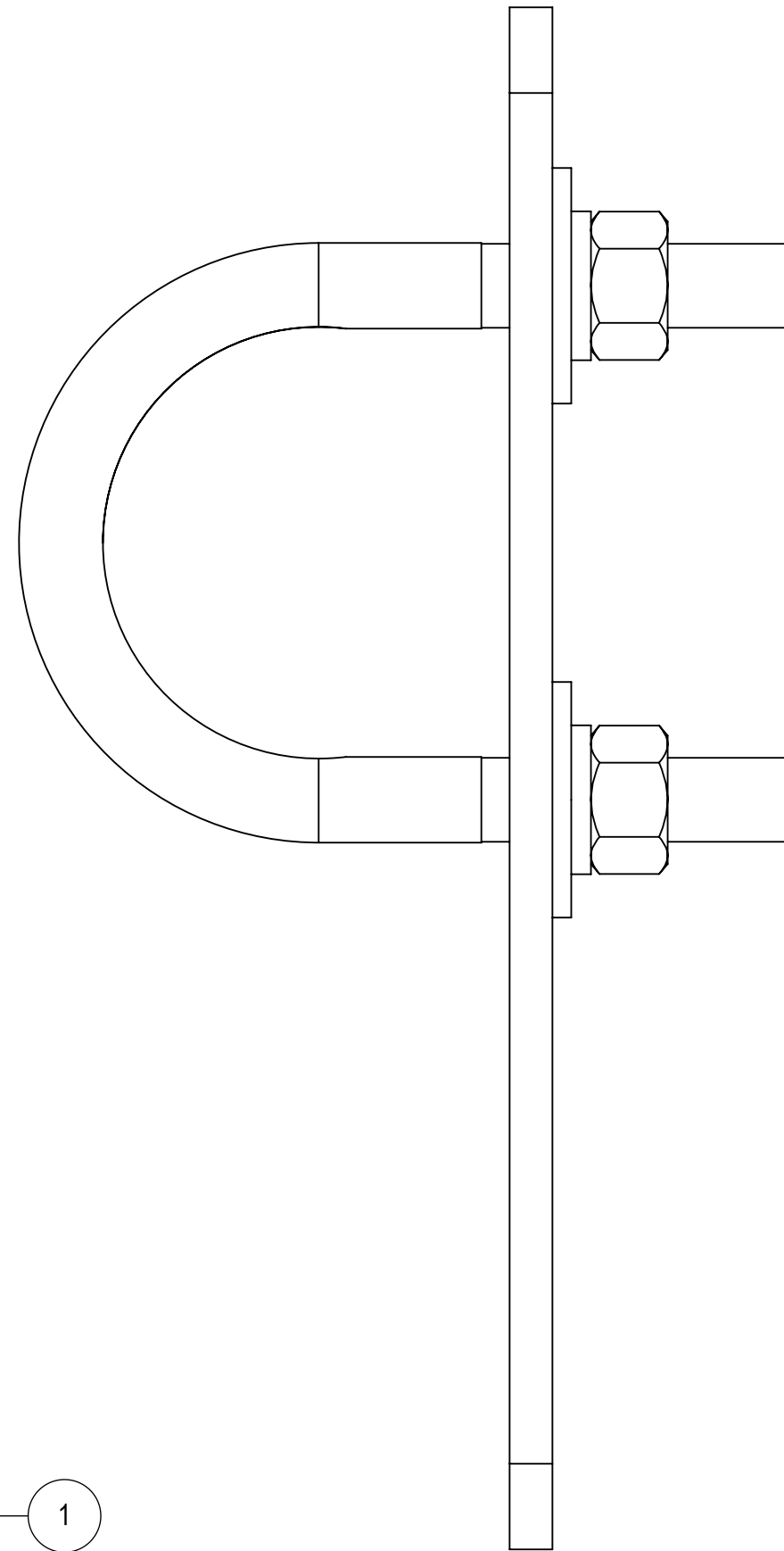
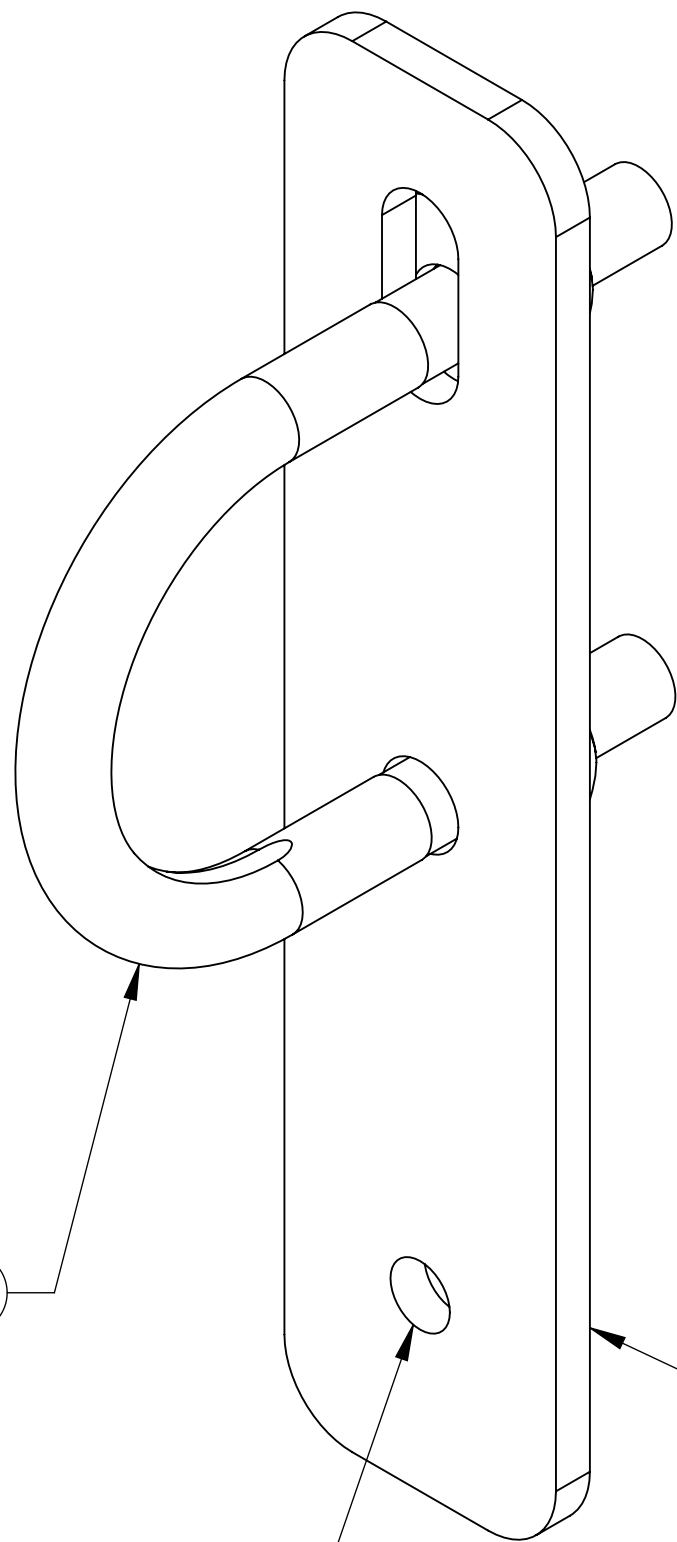
2

1

NOTES:

- 1.0 GENERAL
 - 1.1 ALL METRIC DIMENSIONS ARE IN BRACKETS
 - 1.2 FOR PATENTS, SEE WWW.CS-PAT.COM
- 2.0 DESIGN NOTES
- 3.0 MANUFACTURING/SPECIAL REQUIREMENTS
- 4.0 TEST
- 5.0 PACKAGING

REVISIONS				
REV.	ECN	DESCRIPTION	BY	DATE
A	8000037628	INITIAL RELEASE	EST081	10/1/19



COMPONENTS SUCH AS BUSS BAR, PIPE, AND ISOLATORS ARE SHOWN FOR REFERENCE AND ARE NOT INCLUDED

FOR USE WITH 3/8" HARDWARE

ITEM	PART NO.	DESCRIPTION	QTY.
1	GBSF100-00	BUSS BAR MOUNT PLATE	2
2	GUB-4240	1/2" X 2-1/2" X 4" GALV U-BOLT	2

DENSITY		lbs/in ³
MASS	3.88	lbs
VOLUME	13.65	in ³
SURFACE AREA	140.59	in ²
HEIGHT	9	
LENGTH	5	
WIDTH	2	

COMMSCOPE, INC. OF NORTH CAROLINA										
TOLERANCES					SAP MATERIAL MASTER					
1 PLACE .X ± .25			3 PLACE .XXX ± 0.06		GBSF238					
2 PLACE .XX ± 0.12			ANGLES ± 2°							
FINISH GALVE A123					MATERIAL A1011/A1018					
UNLESS OTHERWISE SPECIFIED DIMENSIONS ARE IN INCHES INTERPRET PER ANSI Y 14.5M-1994	CE	ES1081	NAME	DATE	BUSS BAR MOUNT KIT 2.38"					
	RW	ES1081		12/07/2020						
	RV									
	AD	ES1081		12/07/2020						
	RE	ES1081		12/07/2020						
ECN 008000037628					SCALE	DOCUMENT NO.				
					1:2	GBSF238				
SIZE	WORK AREA	24	MODEL			DRAWING				
C	⊕	◁	VERSION	STATUS	REVISION	VERSION	STATUS	REVISION	SHEET	
			00	RE	A	00	RE	A	1 OF 1	