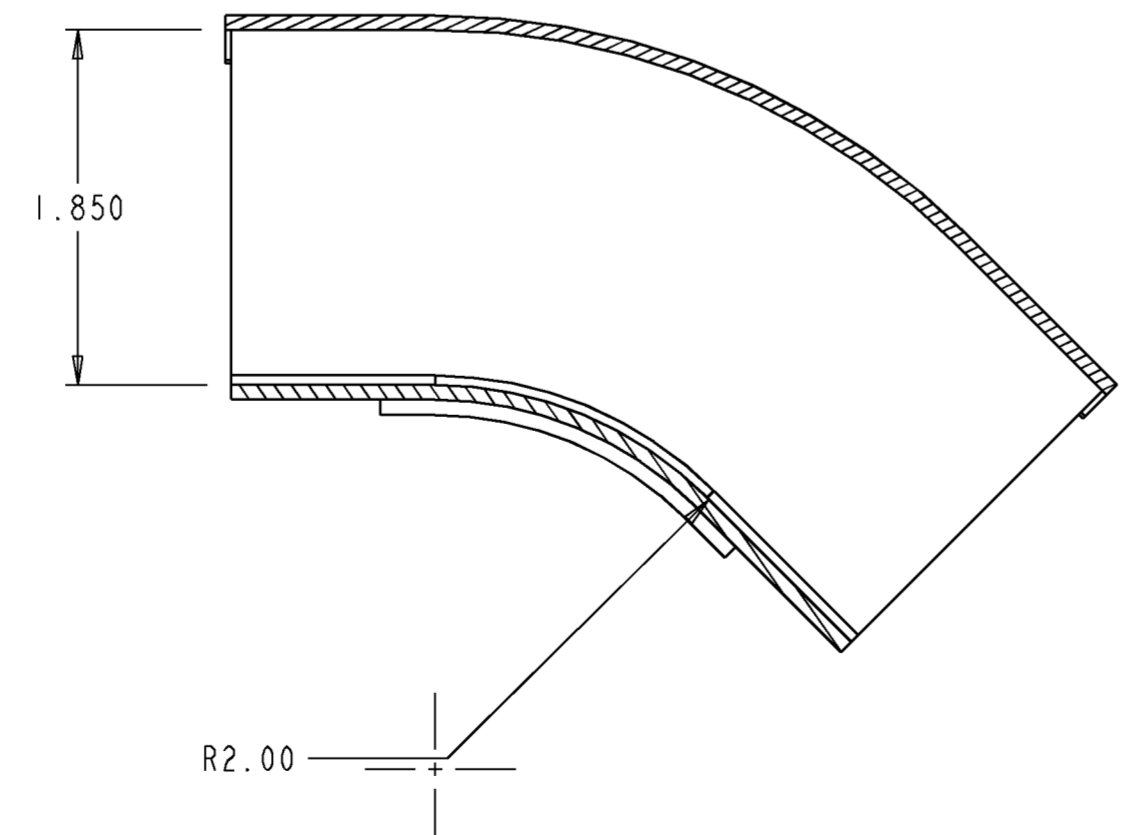
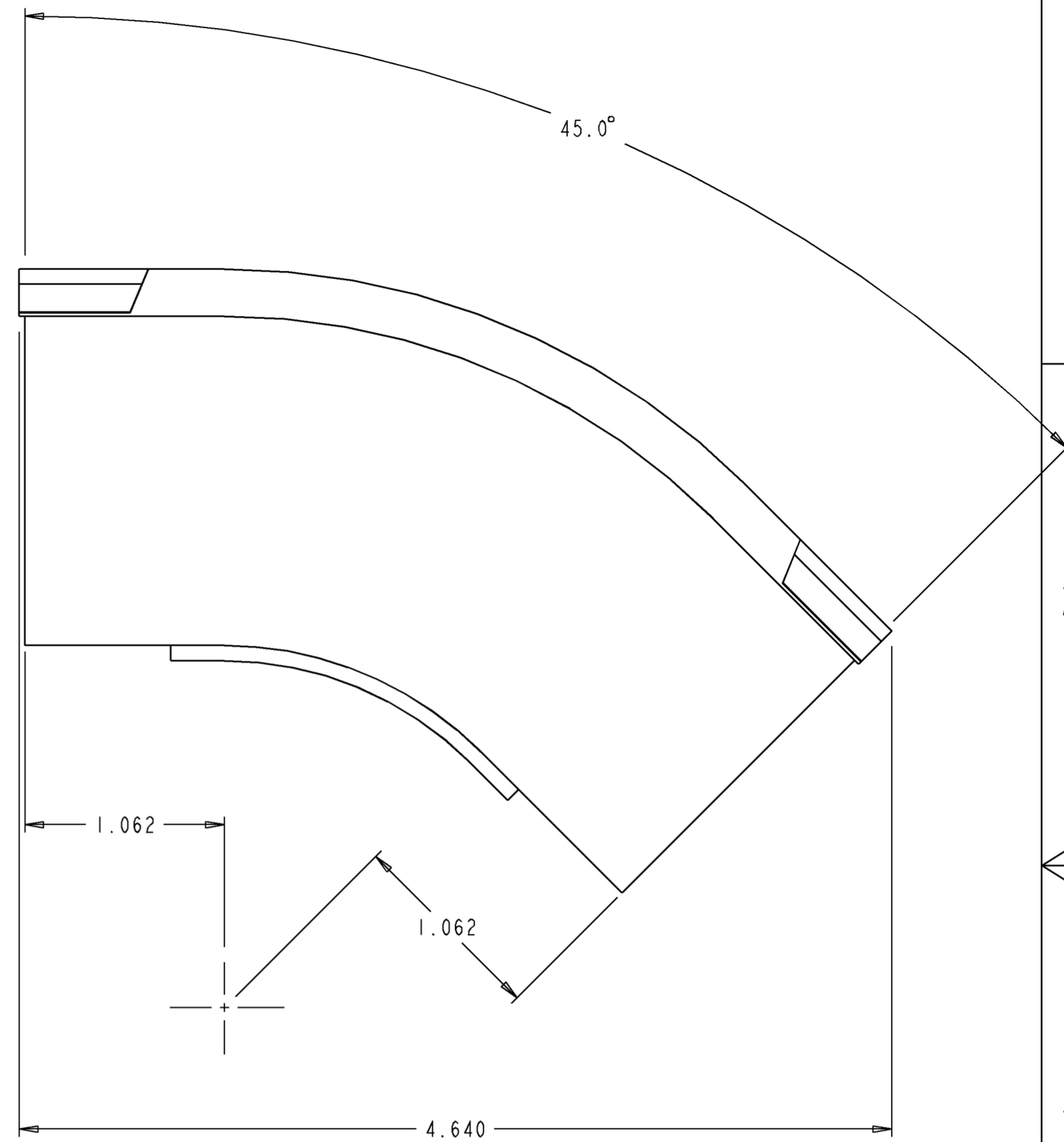
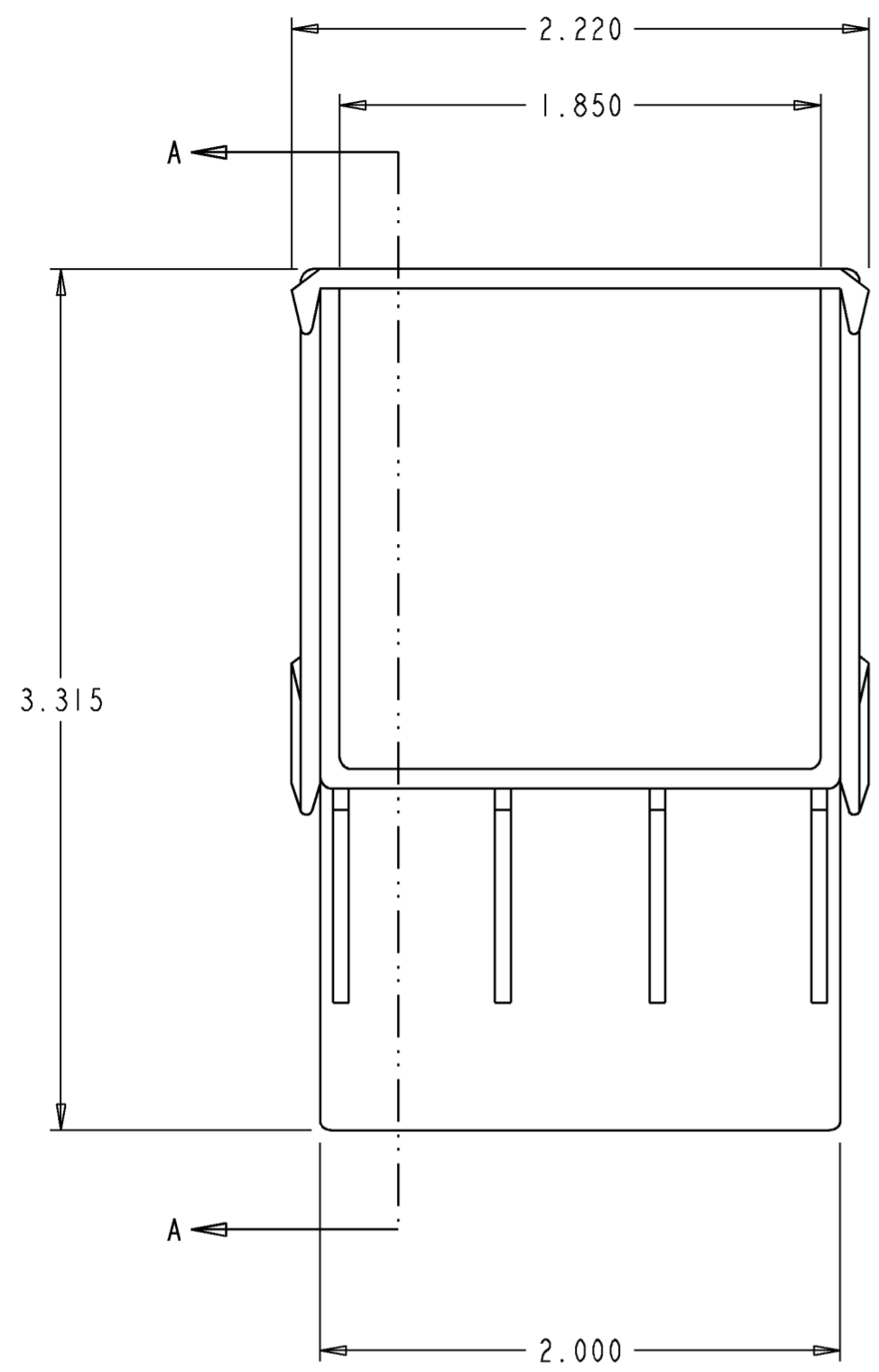


REV	MCO	DWN	DATE
B	20220668	CAA	03-MAY-92
C	20239114	AED	02-MAY-08



FGS-MD4A-C	BLACK
FGS-MD4A-C	GRAY
FGS-MD4A-C	PUTTY
FGS-MD4A-C	ORANGE
FGS-MD4A-C	YELLOW
CATALOG NO.	COLOR

NOTES:
 1. MATERIAL IS SELF EXIT EXTINGUISHNG WITH A UL 94 RATING OF V-0.



INFORMATION ON THIS DOCUMENT IS PROPRIETARY TO ADC AND SHALL NOT BE USED, COPIED, REPRODUCED OR DISCLOSED IN WHOLE OR IN PART WITHOUT WRITTEN CONSENT OF ADC.

ALL DIMS AND TOLERANCES ARE INCHES UNLESS OTHERWISE SPECIFIED

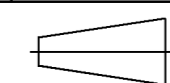
DO NOT SCALE DRAWING

TITLE
 FIBERGUIDES
 45 COVERED DOWN ELBOW
 INSTALLATION DRAWING

DRAWING NUMBER
 4-29000-3018

ENGR: R. HENNEBERGER
 DWN: D. CARPENTER

SHT. 1 OF 1



**DIMENSIONS IN INCHES
 THIRD ANGLE PROJECTION**