

REV	MCO	DWN	DATE
B	20138399	CJS	21-AUG-03
C	20274328	GCC	07-OCT-09

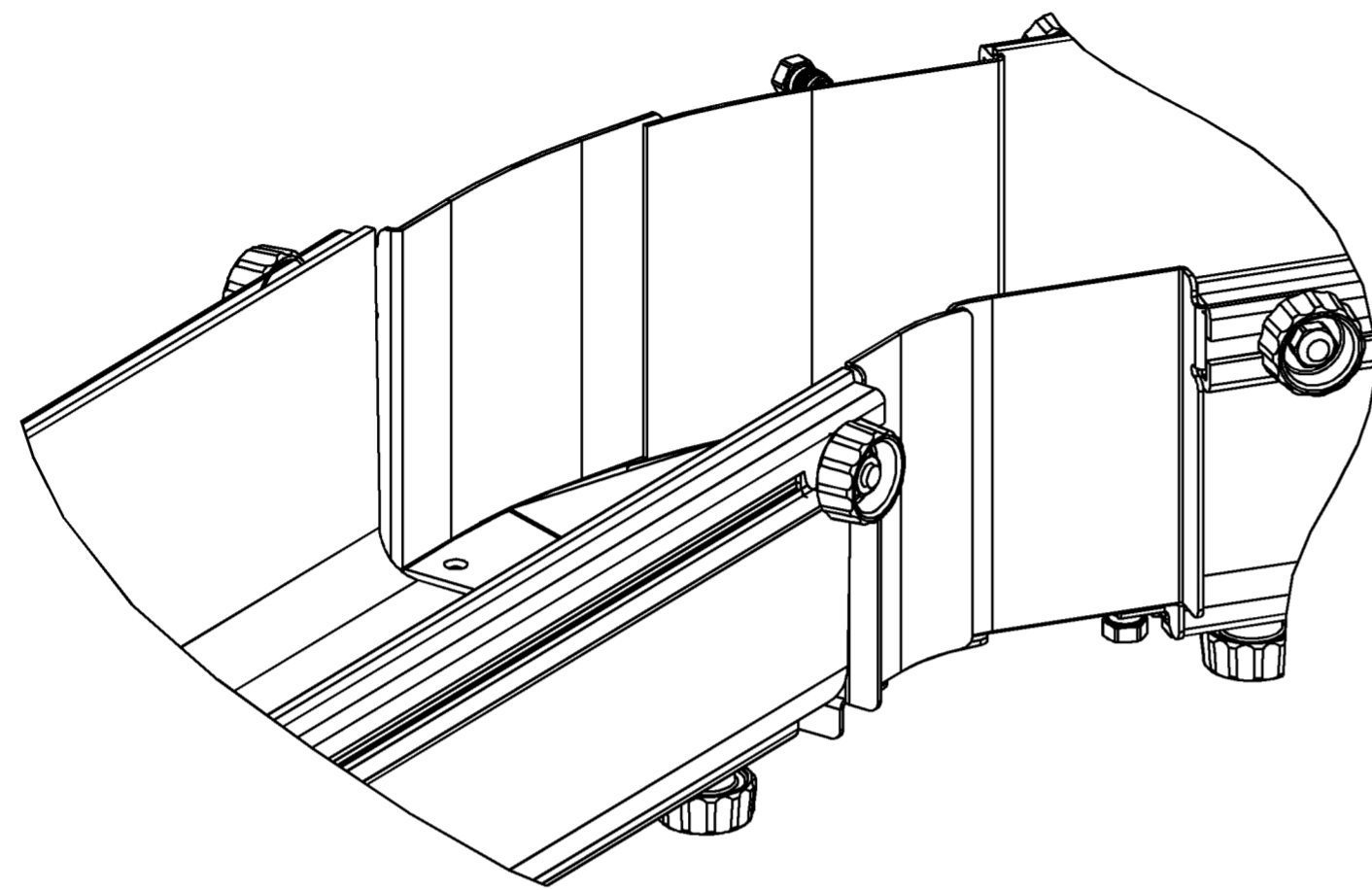


FIGURE 1  
ASSEMBLED  
SCALE 0.500

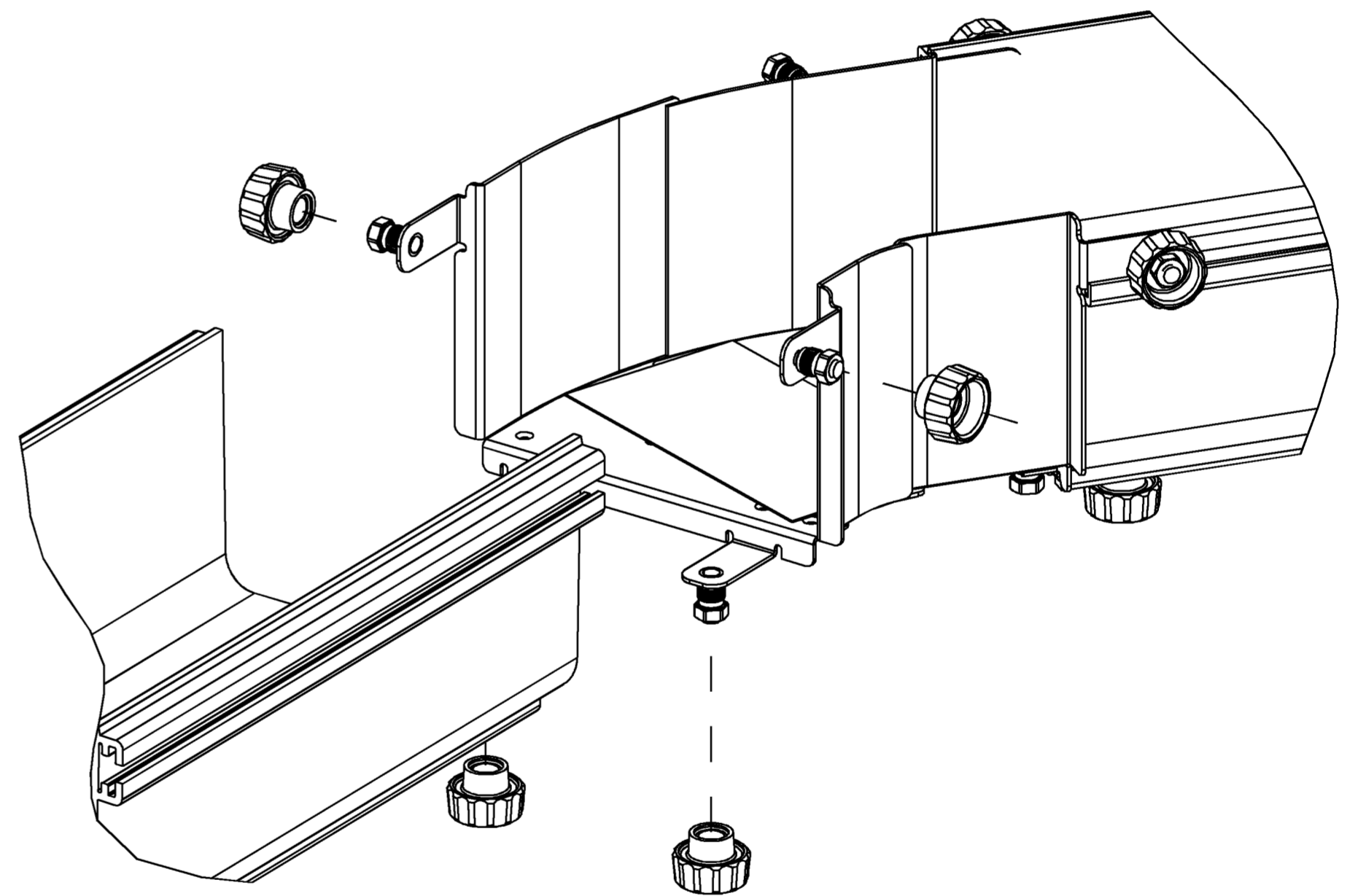


FIGURE 2  
EXPLODED ASSEMBLY  
SCALE 0.500

**NOTES:**

1. SECURE LEFT/RIGHT ELBOW IN PLACE WITH QUICK KNOBS.  
LOOSEN QUICK KNOBS BELOW IN ORDER TO REACH DESIRED ANGLE
2. 6" ELBOW SHOWN. ASSEMBLY THE SAME FOR 4" TROUGH  
ONE EXTENSION PER KIT.
3. STRAIGHT SECTIONS NOT INCLUDED WITH KIT.
- 4 PLACE PAD APPROXIMATELY AS SHOWN.

CATALOG NUMBER	
4"	FGS-HHVE-A
6"	FGS-HHVE-B
6"	FGSB-HHVE-B



INFORMATION ON THIS DOCUMENT IS PROPRIETARY TO ADC AND SHALL NOT BE USED, COPIED, REPRODUCED OR DISCLOSED IN WHOLE OR IN PART WITHOUT WRITTEN CONSENT OF ADC.  
ALL DIMS AND TOLERANCES ARE INCHES UNLESS OTHERWISE SPECIFIED  
.XX:±N/A  
.XXX:±N/A  
ANGULAR:±N/A

TITLE INSTALL DRAWING  
LEFT/RIGHT ELBOW  
FLEXGUIDE

DRAWING NUMBER 1269080  
C SIZE C REV

DO NOT SCALE DRAWING

ENGR: RYAN LINDQUIST  
DWN: JUSTIN TRUESDELL

SHT. 1 OF 2

DIMENSIONS IN INCHES  
THIRD ANGLE PROJECTION

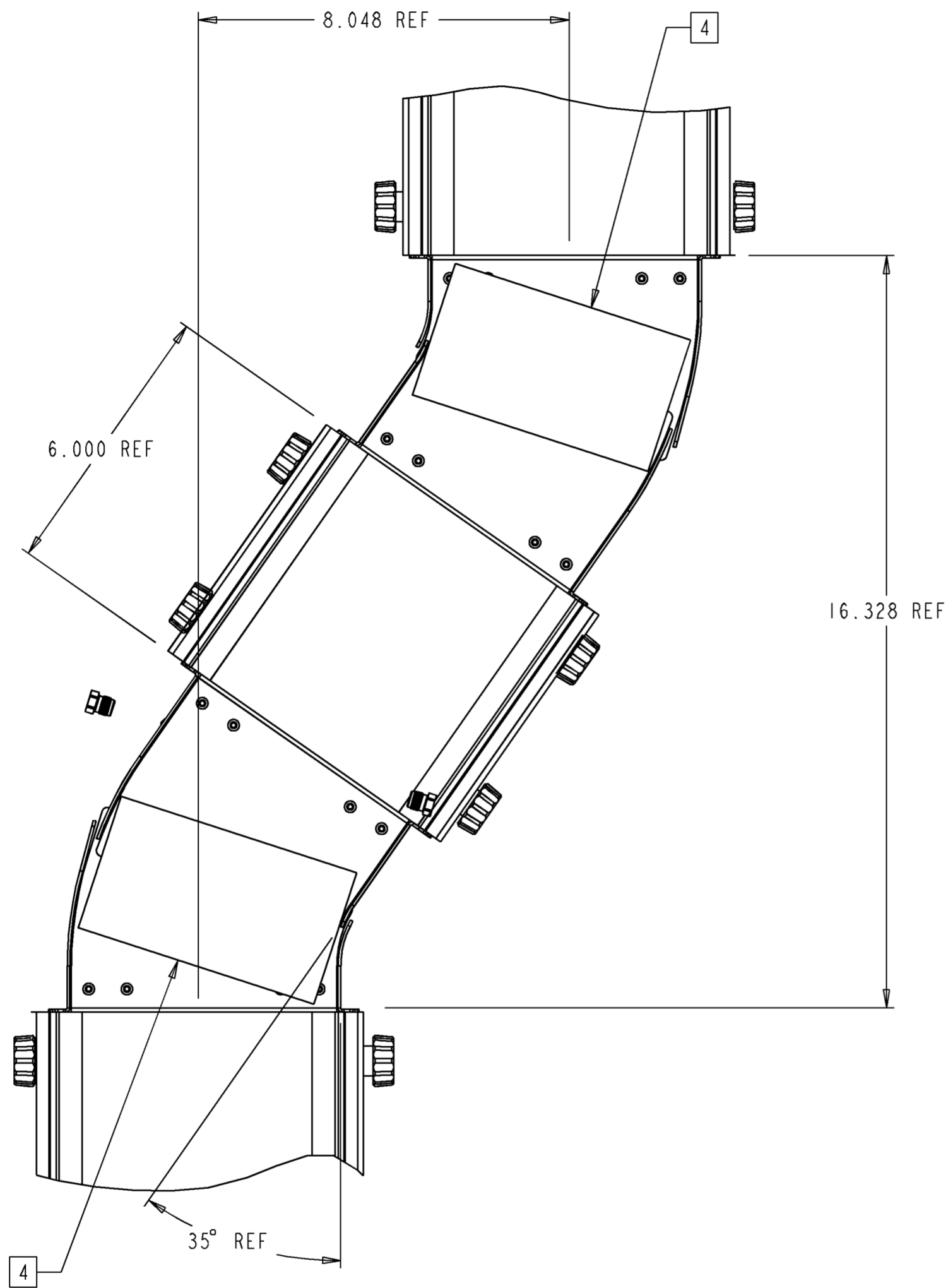


FIGURE 3  
FULLY EXPANDED (35°)  
SCALE 0.380

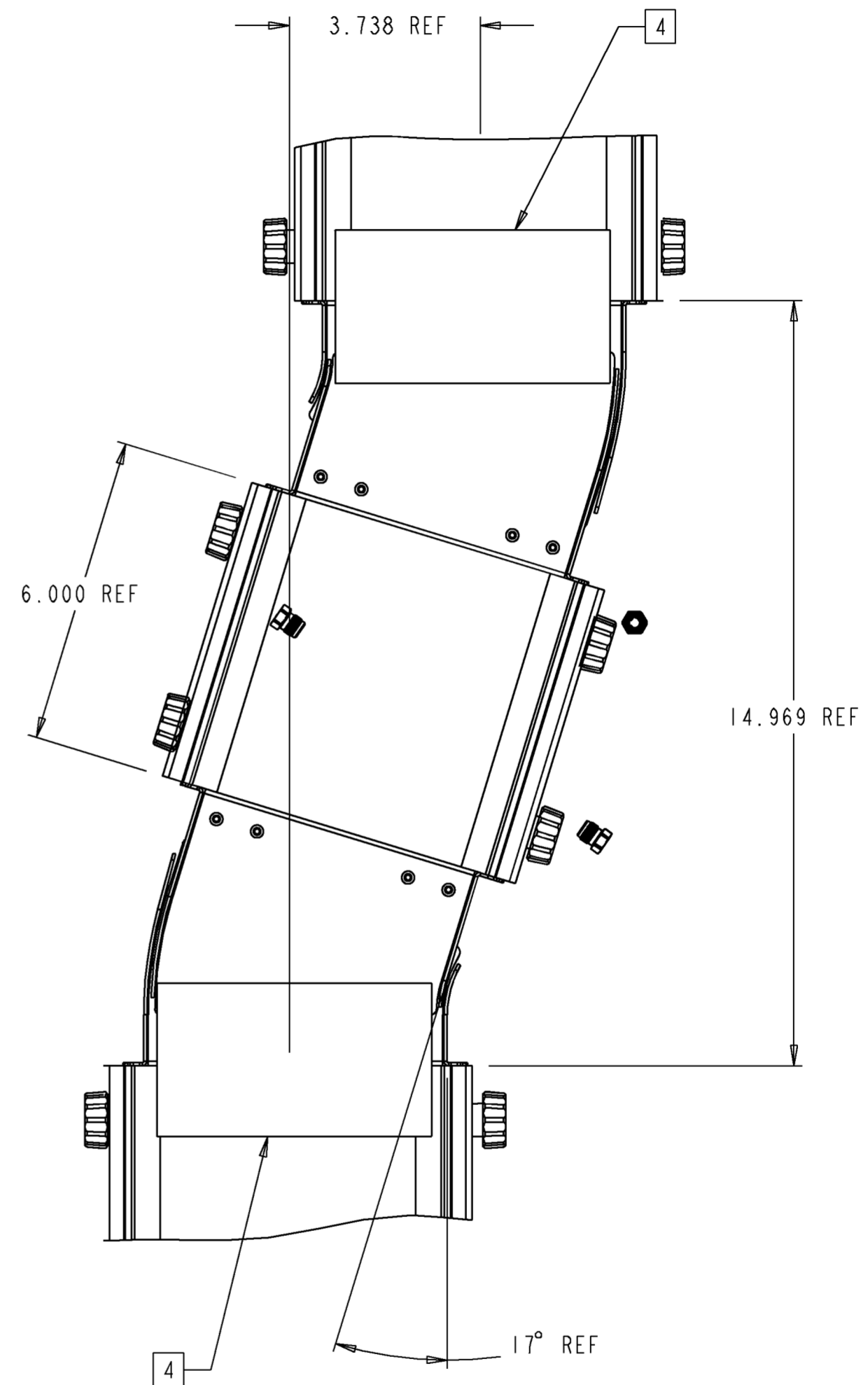


FIGURE 4  
FULLY COMPACTED (17°)  
SCALE 0.380



INFORMATION ON THIS DOCUMENT IS  
PROPRIETARY TO ADC AND SHALL  
NOT BE USED, COPIED, REPRODUCED  
OR DISCLOSED IN WHOLE OR IN PART  
WITHOUT WRITTEN CONSENT OF ADC.

ALL DIMS AND TOLERANCES .XX:±N/A  
ARE INCHES UNLESS .XXX:±N/A  
OTHERWISE SPECIFIED ANGULAR:±N/A

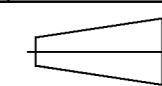
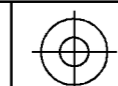
TITLE INSTALL DRAWING  
LEFT/RIGHT ELBOW  
FLEXGUIDE

DRAWING NUMBER 1269080

DO NOT SCALE DRAWING

ENGR: RYAN LINDQUIST  
DWN: JUSTIN TRUESDELL

SHT. 2 OF 2



DIMENSIONS IN INCHES  
THIRD ANGLE PROJECTION