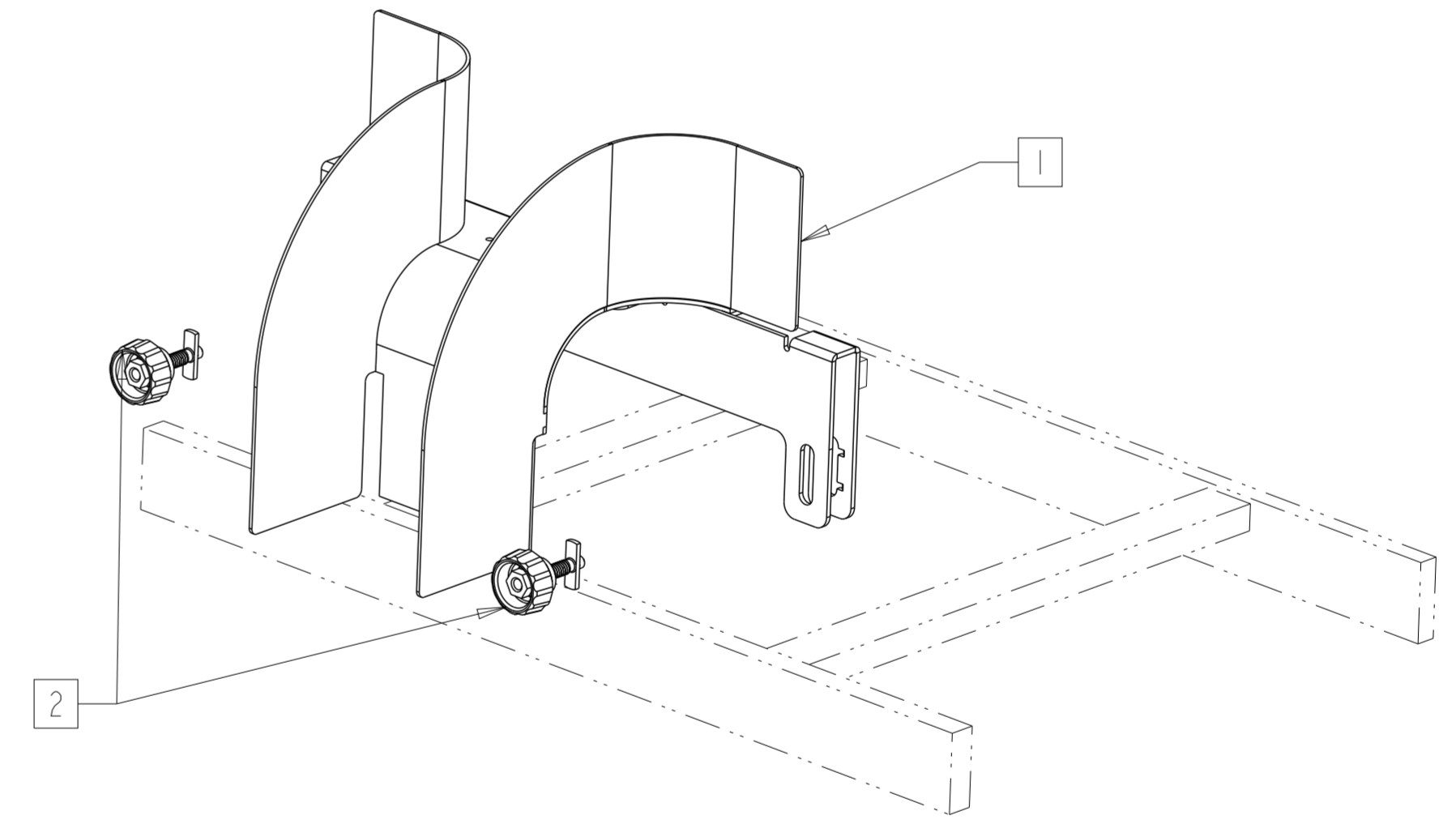
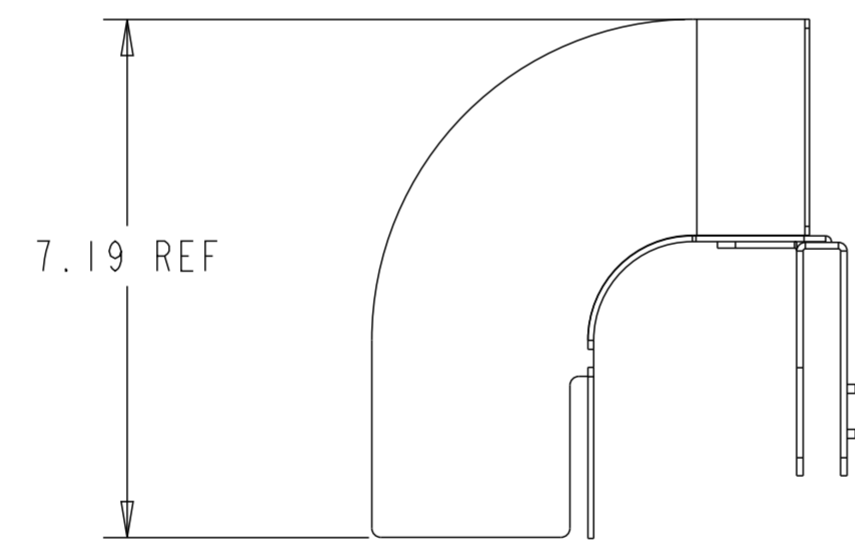
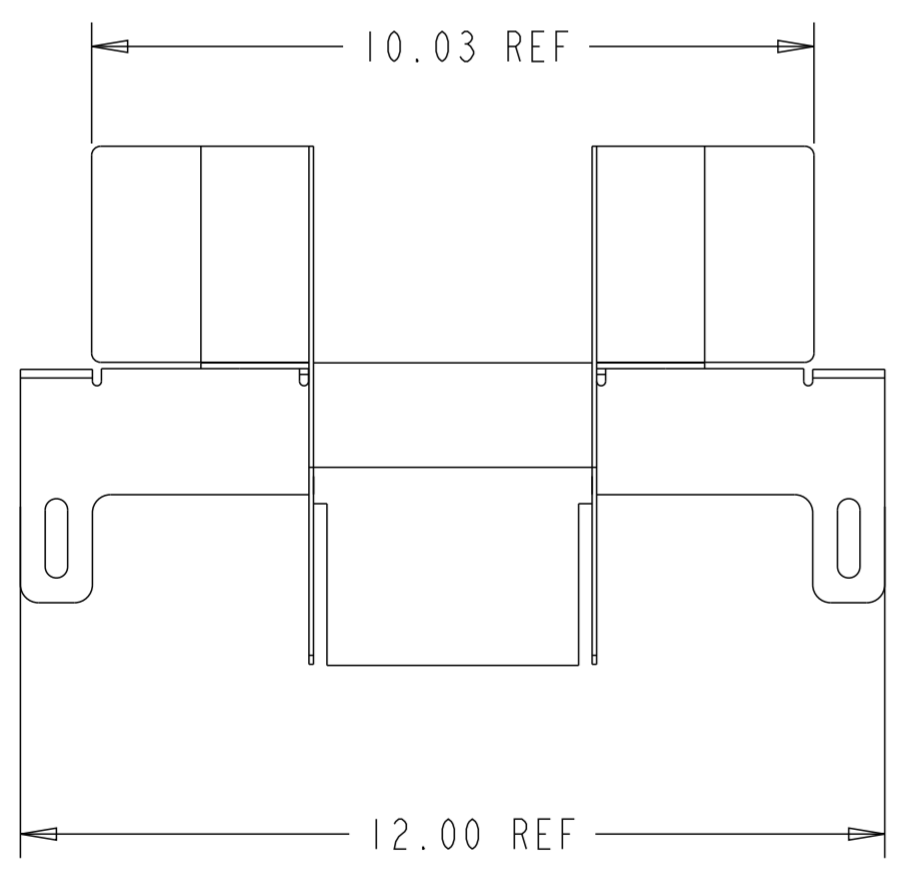
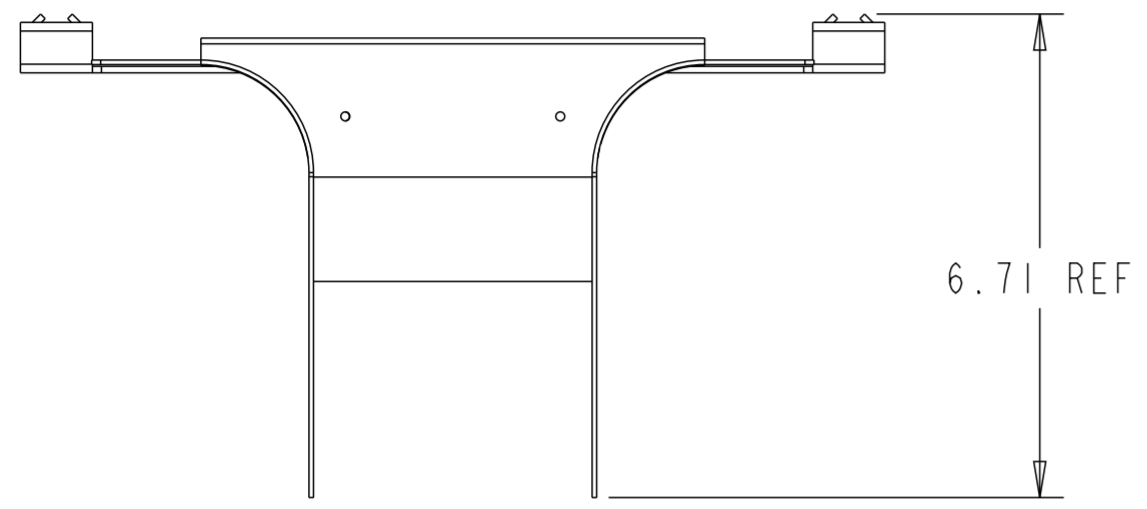
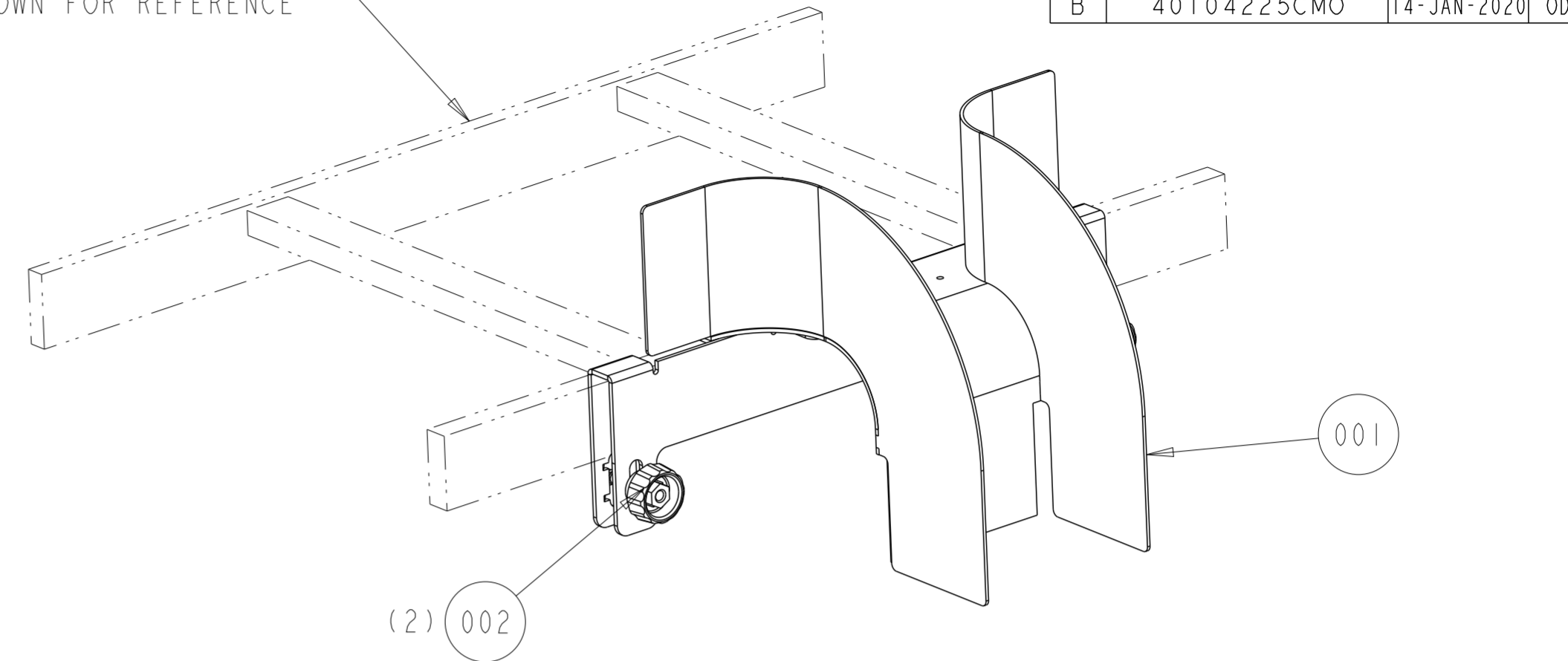


| REVISIONS |             |             |          |
|-----------|-------------|-------------|----------|
| REV       | CMO         | DATE        | APPROVED |
| A         | 40098534CMO | 06-DEC-2019 | ODVL     |
| B         | 40104225CMO | 14-JAN-2020 | ODVL     |

LADDER RACK  
SHOWN FOR REFERENCE



**INSTALLATION INSTRUCTIONS:**

- 1 ASSEMBLE ITEM 001 (LADDER RACK BRACKET 90 DEG 4in) TO EXISTING LADDER RACK.
- 2 ASSEMBLE ITEM 002 (QUICK KNOBS) TO EXISTINGS OBROUND ON LADDER RACK BRACKET 90 DEG 4in ALREADY MOUNTED IN LADDER RACK.

| KIT CONTAINS |                               |          |
|--------------|-------------------------------|----------|
| ITEM         | DESCRIPTION                   | QUANTITY |
| 001          | LADDER RACK BRACKET 90DEG 4in | 1        |
| 002          | QUICK KNOB WITH T-BOLT        | 2        |

FGS-DLDB-90-4  
**CATALOG NUMBER**

|                             |            |   |                                  |
|-----------------------------|------------|---|----------------------------------|
| <b>COMMSCOPE, INC.</b>      |            |   |                                  |
| DRAFTER<br>OSCAR VALENZUELA |            | TITLE<br>CUST DRW LADDER RACK BRACKET 90DEG 4in |                                  |
| ENGINEER<br>RUBEN ARVILLA   | SIZE<br>A2 | SCALE<br>0.375                                  | DOCUMENT NO.<br><b>660003629</b> |
| CUSTOMER DRAWING            |            |   | REVISION<br>B                    |
|                             |            |   | SHEET<br>1 OF 1                  |