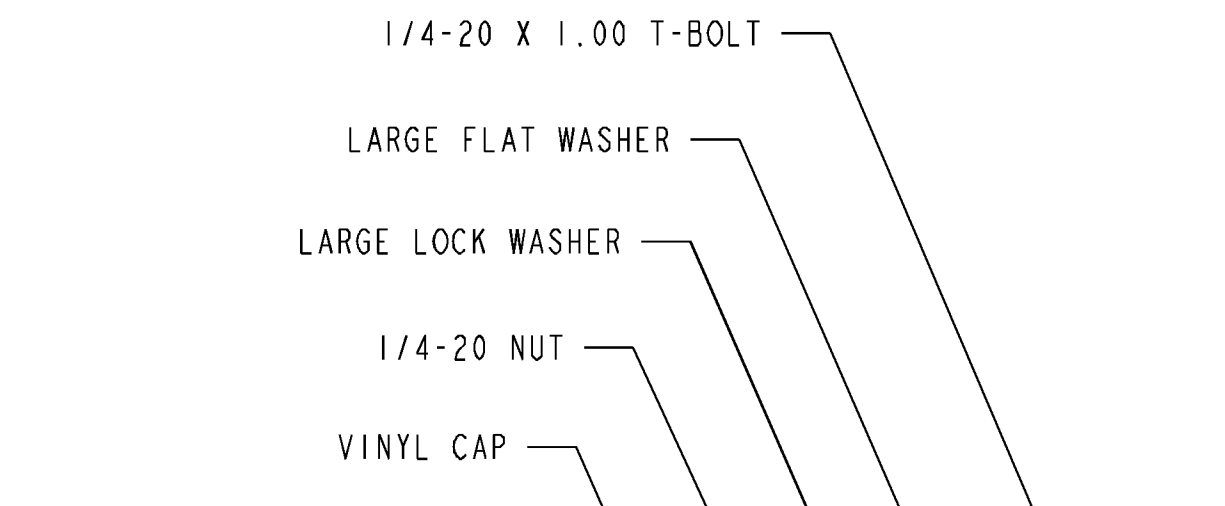
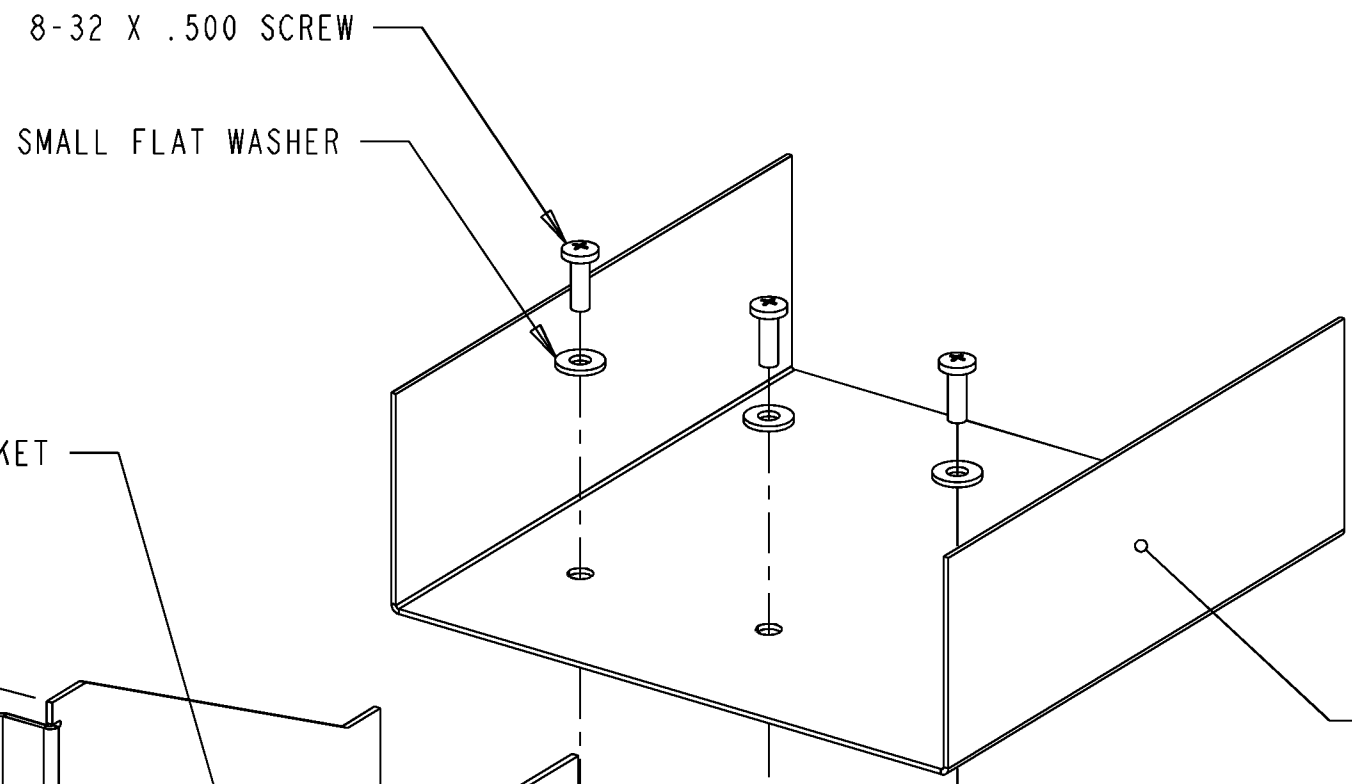


REV	ECO	DWN	DATE
A	20018792	VJL	24-NOV-98
B	20029580	CDZ	03-JUN-99



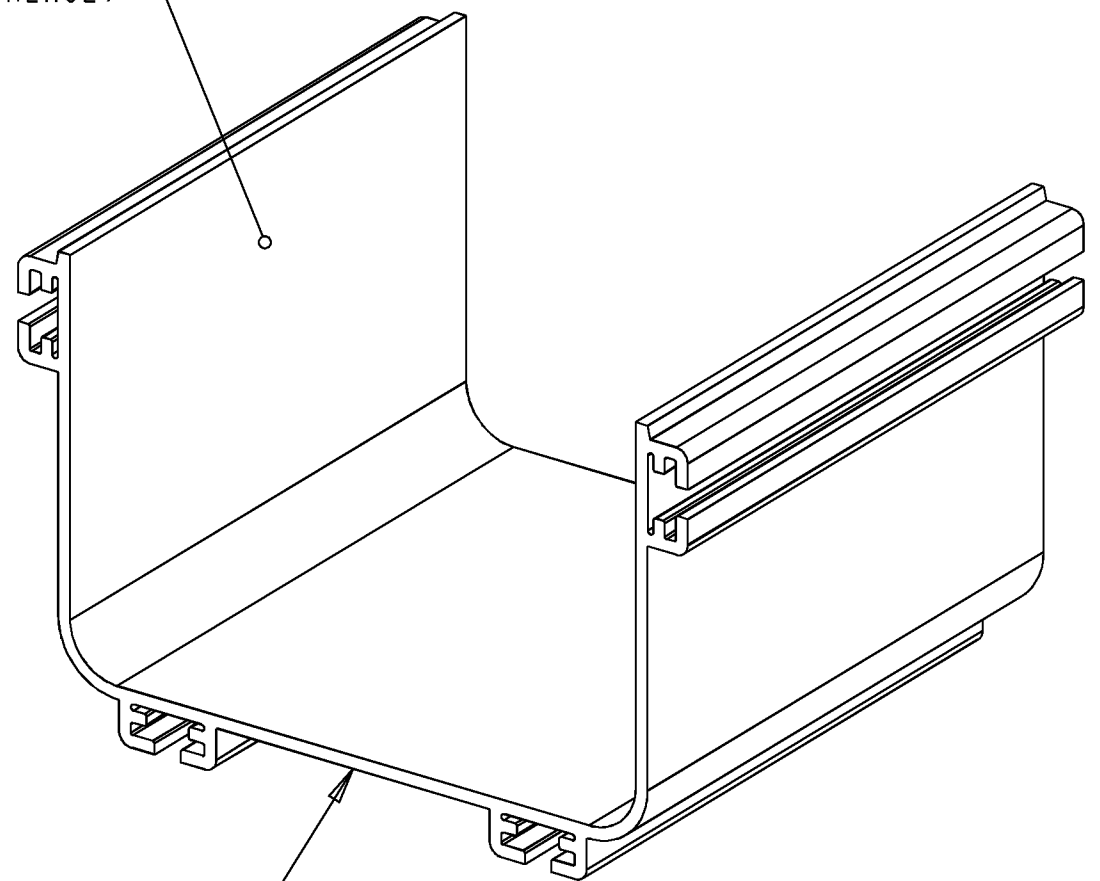
THE T-BOLT IS DESIGNED TO FIT THROUGH THE SLOT IN THE CONVERSION BRACKET AND INTO THE CHANNEL ON THE SIDE OF THE ADC FIBER GUIDE. WHEN THE T-BOLT IS IN THE CHANNEL OF THE FIBER GUIDE TURN IT CLOCKWISE AND TIGHTEN THE NUT.

CONVERSION BRACKET

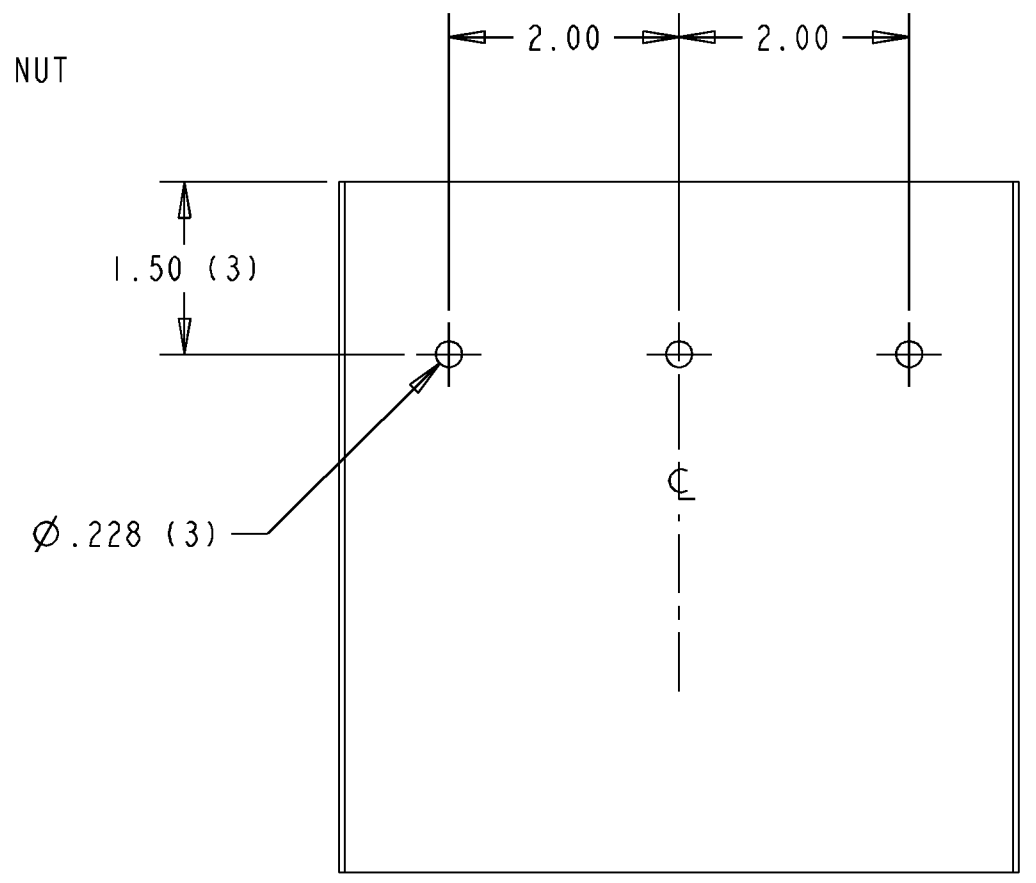
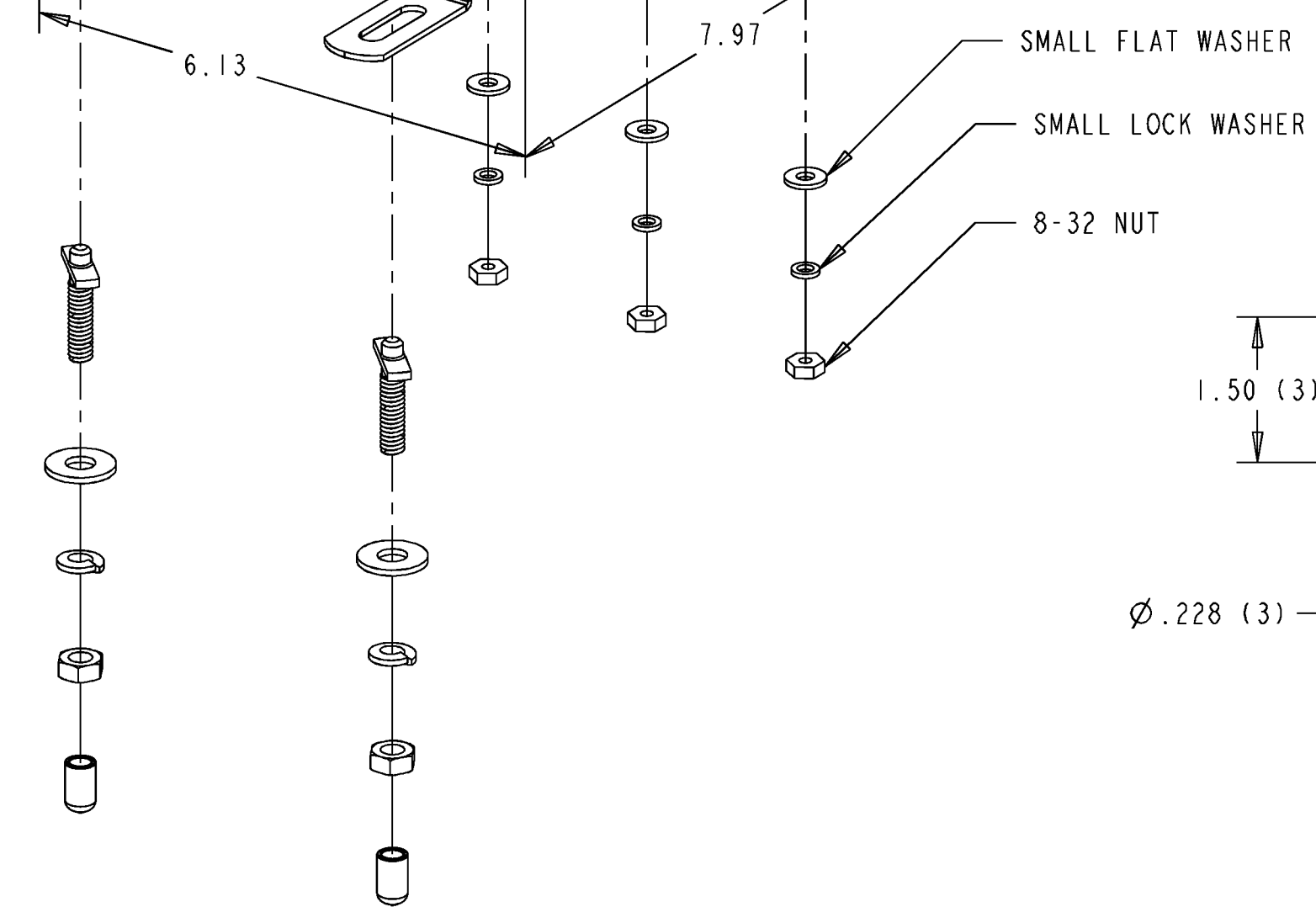


SEE MOUNTING HOLES DETAIL FOR DIMENSIONS OF HOLES REQUIRED TO MOUNT FIBER GUIDE TO CONVERSION BRACKET.

6" ADC FIBER GUIDE (SHOWN FOR REFERENCE)



THE ADC FIBER GUIDE IS TO BE PLACED INSIDE OF THE SLOTTED TABS ON THE CONVERSION BRACKET. YOU WILL HAVE TO GENTLY SQUEEZE THE TOP TO THE FIBER GUIDE TO FIT IT INTO THE BRACKET.



NOTES:

1. THIS CONVERSION KIT INCLUDES THE FOLLOWING:

- CONVERSION BRACKET (1)
- 1/4-20 X 1.00 T-BOLT (4)
- LARGE FLAT WASHER (4)
- LARGE SPLIT LOCK WASHER (4)
- 1/4-20 NUT (4)
- VINYL CAP (4)
- 8-32 X .500 SCREW (3)
- SMALL FLAT WASHER (6)
- SMALL SPLIT LOCK WASHER (3)
- 8-32 NUT (3)

CATALOG #: FGS-ACC082



INFORMATION ON THIS DOCUMENT IS PROPRIETARY TO ADC AND SHALL NOT BE USED, COPIED, REPRODUCED OR DISCLOSED IN WHOLE OR IN PART WITHOUT WRITTEN CONSENT OF ADC.

TITLE
CONVERSION BRACKET KIT
INSTALLATION DRAWING

TOLERANCE UNLESS OTHERWISE SPECIFIED .XX: ±N/A .XXX: ±N/A ANGULAR: ±N/A

SIZE C DRAWING NUMBER B
1042383

DO NOT SCALE DRAWING

ENGR: PAUL LANCE
DWN: VERN LOCH

SHT. 1 OF 1