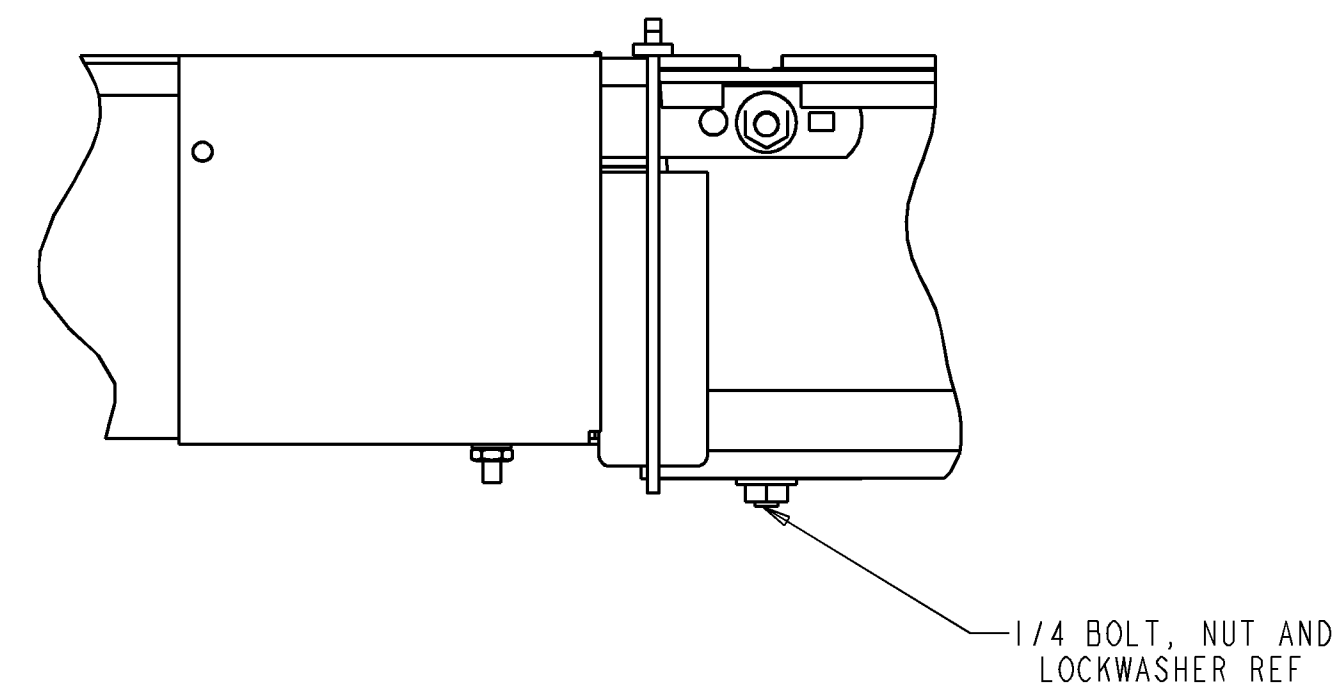
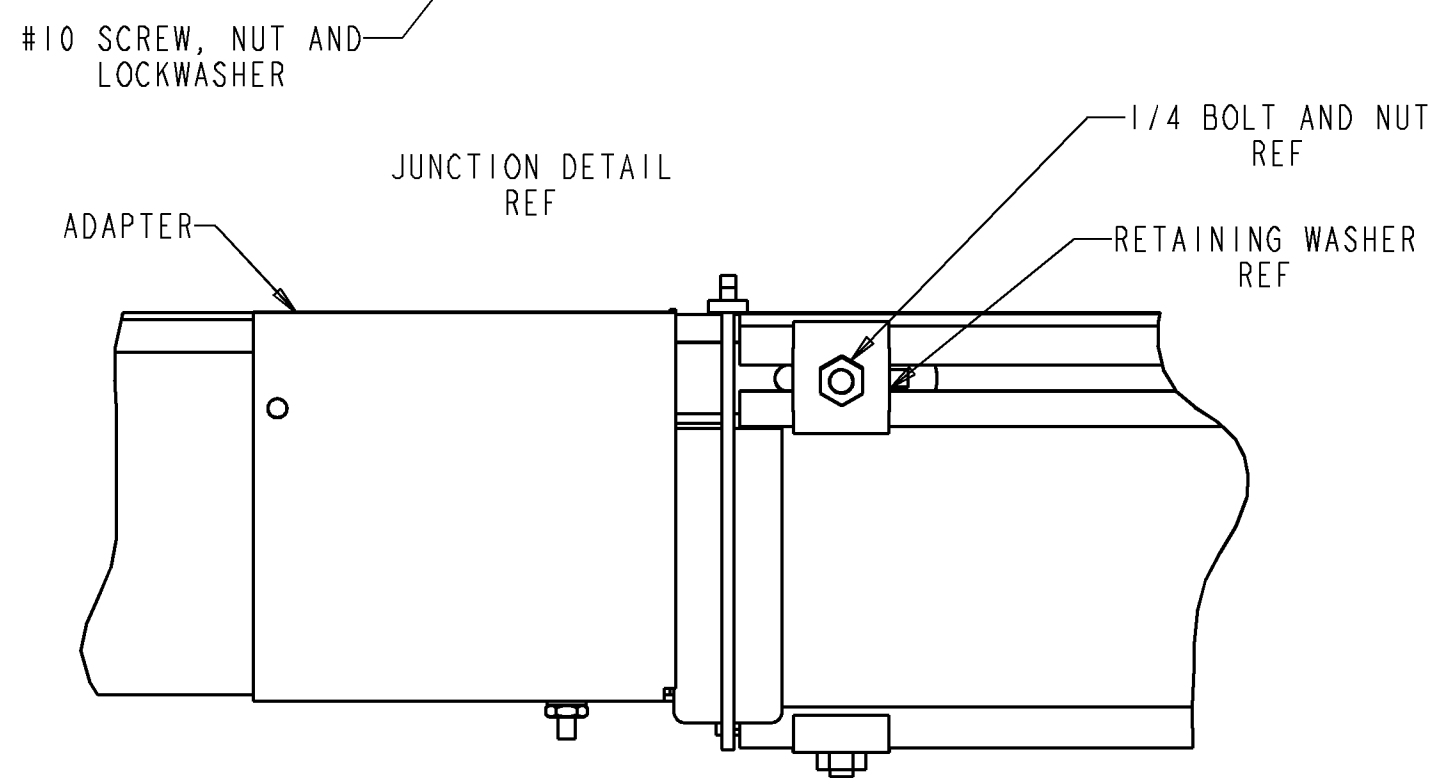
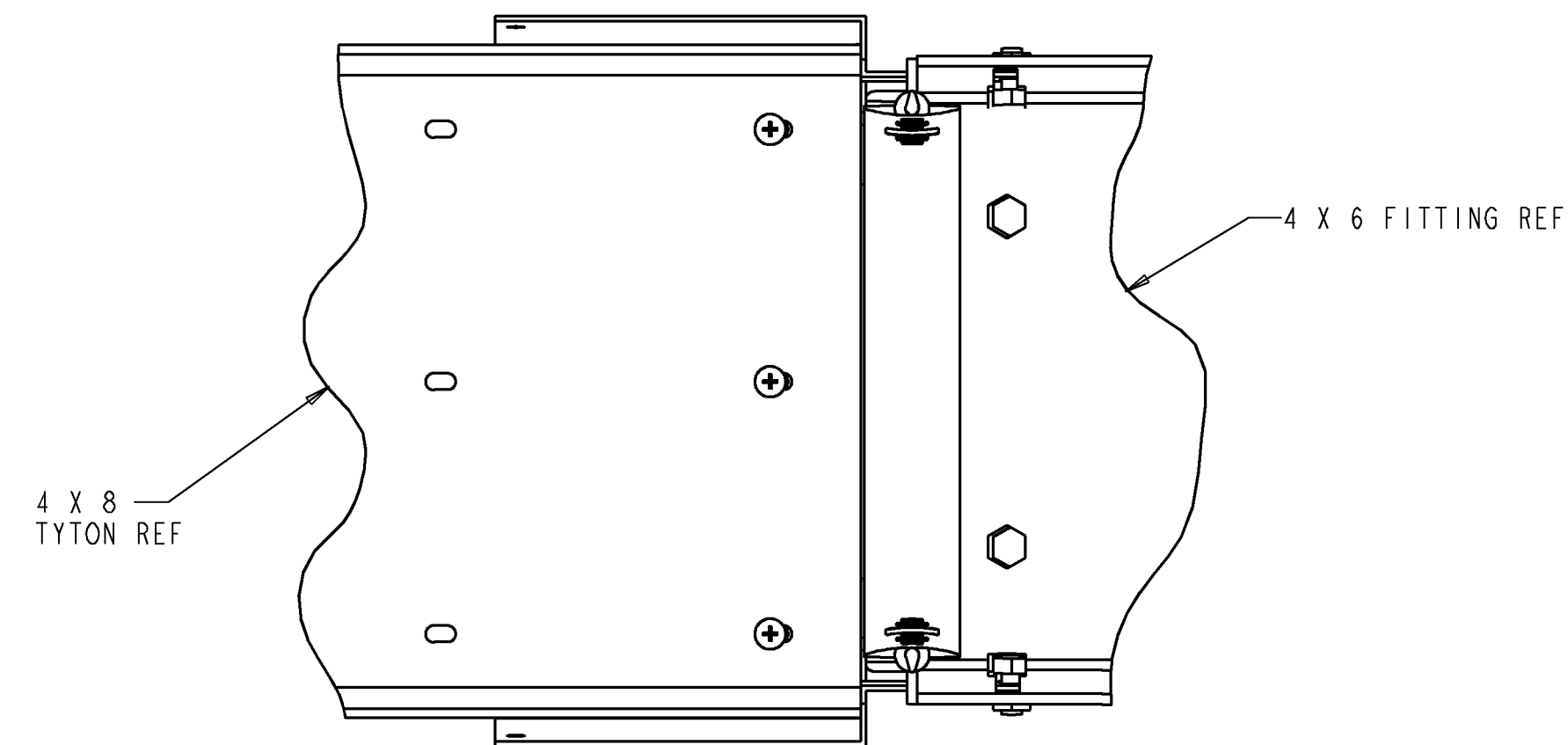
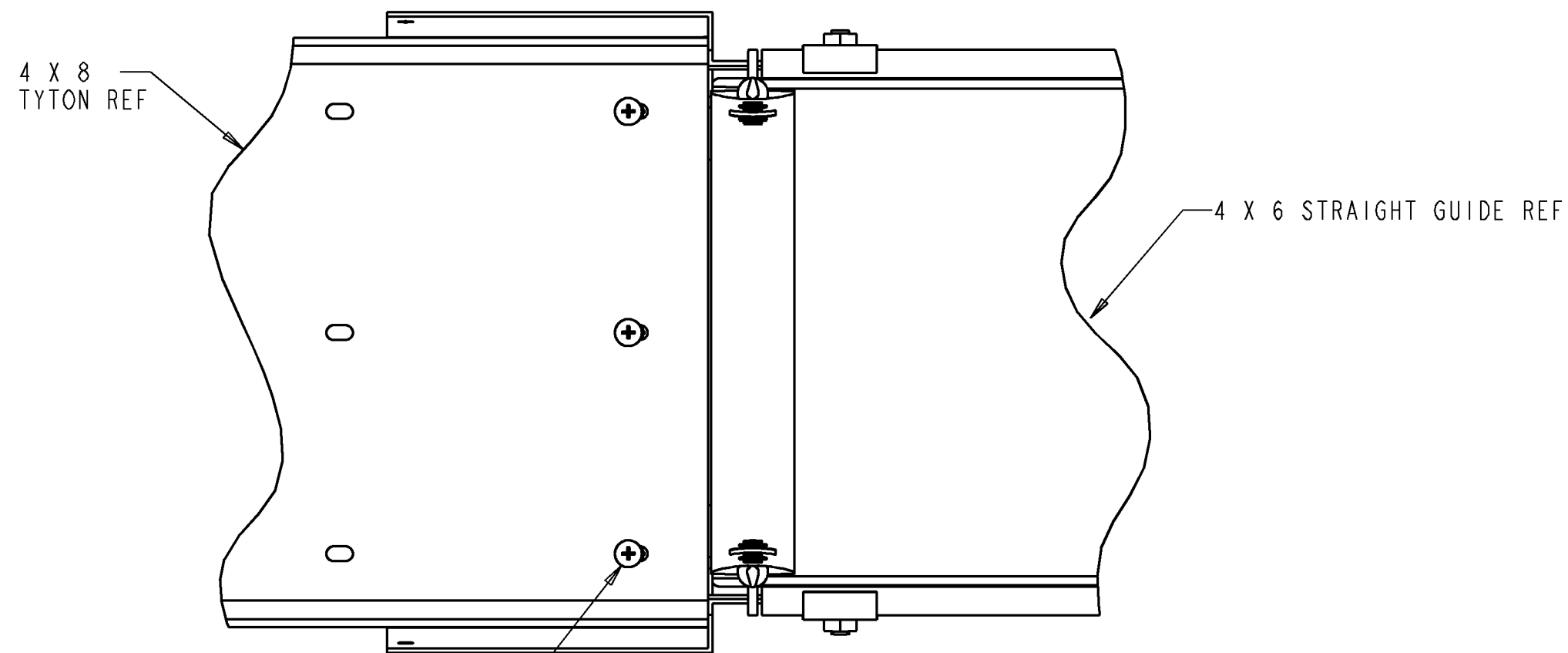


REV	ECO	DWN	DATE
B	98572	MV	29-OCT-92
C	20066740	CDZ	13-OCT-00



VIEW SHOWING ADAPTER ATTACHED TO STRAIGHT GUIDE

VIEW SHOWING ADAPTER ATTACHED TO FITTING

NOTES:

I. PARTS INCLUDED WITH KIT AS FOLLOWS:

- (1) ADAPTER 4 X 4
- (3) SCREW 10-32
- (3) NUT 10-32
- (3) WASHER #10 LOCK

CATALOG # : FGS-ACC042



<small>INFORMATION ON THIS DOCUMENT IS PROPRIETARY TO ADC AND SHALL NOT BE USED, COPIED, REPRODUCED OR DISCLOSED IN WHOLE OR IN PART WITHOUT WRITTEN CONSENT OF ADC.</small>		<b>TITLE</b> KIT, 6" FGS - 8" TYTON ADPTR (INSTALLATION DRAWING)	
<small>TOLERANCE UNLESS OTHERWISE SPECIFIED</small> .XX: ---- .XXX: ---- ANGULAR: ----	<b>C</b> <small>SIZE</small>	<small>DRAWING NUMBER</small> 4-29000-4411	<b>C</b> <small>REV</small>
<small>THIRD ANGLE PROJECTION</small> 	<small>DO NOT SCALE DRAWING</small>	<small>ENGR:</small> BRUCE MUSOLF <small>DWN:</small> MICHAEL VILLAS	<small>SHT. 1 OF 1</small>