

1.0 General Product Information

This system practice describes the installation process for cable blocking optical power ground wire cable prior to installation in FOSC 400 Series closures. Procedures for blocking end entries (as opposed to mid-span or express entries) of Alcoa Fujikura, Pirelli, Alcatel, Focus, and Phillips Fitel OPGW cable are described in this practice.

Note: Refer to the FOSC 400 Series Closure Installation Instructions for applicable warnings and precautionary statements.

2.0 Kit Contents

- Black heat-shrinkable tubing (12")
- Small tie wraps
- Large tie wraps

Note: All other components referenced in this practice are obtained from the FOSC 400 closure kit. Cable blocking components must be included in the kit.

3.0 Installation Instructions

3.1 Loose Buffer Tube OPGW Cable (Figure 1)

1. Clean the exterior wires with a clean, dry rag and company-approved cleaning solvent.
2. Install a tie wrap 70" from the end of the cable. (This keeps the outer wires from unraveling when cut.)
3. Cut and remove the outer wires just beyond the tie wrap.
4. Ring cut the inner core tube 1/2" from the tie wrap. Remove the excess tube, and clean the exposed cable components with a clean rag and company-approved cleaning fluid.
5. If aramid yarns are present fold them back toward cable and place under tie wraps as shown.
6. Ring cut and remove all but 3" of each loose buffer tube, exposing the fibers. Clean the exposed fibers with a clean rag and company-approved cleaning fluid.
7. Install one transportation tube over each fiber group and slide it down over the buffer tube to within 1" of the inner core tube.
8. Wrap the adhesive foam strip around the transportation tubes 1" from the inner core tube.
9. Install two adhesive rings between the end of the inner core tube and the foam strip.
10. Mark the transportation tubes 2" from the inner core tube and place a tie wrap loosely around the transportation tubes and strength member (if present) at the mark.
11. Install the heat-shrinkable tube on the cable, aligning the end of the tube with the tie wrap installed in Step 10.
12. Shrink the tubing with hot air gun starting at the fiber end first, working your way toward the cable. Shrink remaining lump of adhesive from the two rings last.
13. Refer to the FOSC 400 Closure Installation Instructions for further information on installing cables in cable ports.

Note: Clean and abrade the shrunken heat-shrinkable tubing as you would the outer cable sheath when installing cable seals. Don't forget to install the tubular cable seal over the cable before installing the cable in the port!

3.2 Central Core Tube OPGW Cable (Figure 2)

1. Clean the exterior wires with a clean, dry rag and company-approved cleaning solvent.
2. Install a tie wrap 70" from the end of the cable. (This keeps the outer wires from unraveling when cut.)
3. Cut and remove the outer wires just beyond the tie wrap.
4. Ring cut the central core tube x" beyond the tie wrap as defined in this chart:

Closure	Port	
	Oval	Round
D	12"	4"
A,B	8"	4"

5. Remove the excess core tube and clean the exposed cable components with cleaning fluid.
6. If aramid yarns are present fold them back toward cable and place under tie wraps as shown.
7. Wrap the adhesive foam strip around the central core tube 1" from the first tie wrap.
8. Install two adhesive rings between the first tie wrap and the foam strip.
9. Mark the central core tube 2" from the tie wrap and place a second tie wrap around the central core tube and strength member at the mark.
10. Install the supplied 12" heat-shrinkable tube on the cable, aligning the end of the tube with the tie wrap placed in Step 9.
11. Shrink the tubing with hot air gun, starting at the fiber end first and working toward the cable. Shrink remaining lump of adhesive from the two rings last.
12. Refer to the FOSC 400 Series Closure Installation Instructions for further information on installing cables in cable ports.

Note: Clean and abrade the shrunken heat-shrinkable tubing as you would the outer cable sheath when installing a cable seal. Don't forget to install the tubular cable seal over the cable before installing the cable in the port!

4.0 Installation Instructions

4.1 Tight Buffer Tube OPGW Cable (Figure 3)

1. Clean the exterior wires with a clean, dry rag and company-approved cleaning solvent.
2. Install a tie wrap 70" from the end of the cable. (This keeps the outer wires from unraveling when cut.)
3. Cut and remove the outer wires just beyond the tie wrap.
4. Ring cut the inner core tube 2.5" from the tie wrap. Remove the excess tube, and clean the exposed cable components with a clean rag and company-approved cleaning fluid. (Fig. 4)
5. If aramid yarns are present cut them to 9" after the cable is installed in the closure. The aramid yarns will be attached to the washer/bolt assembly for cable strain relief.
6. Ring cut and remove all but 2" of each loose buffer tube, exposing the fibers. Clean the exposed fibers with a clean rag and company-approved cleaning fluid.
7. Install one transportation tube over each fiber group and slide it down over the buffer tube. Hold transportation tubes in place with vinyl tape.
8. Wrap the adhesive foam strip 1" from the end of the outer wires.
9. Install two adhesive rings between the end of the outer wires and

the foam strip.

10. Mark the inner core tube 2" from the end of the outer wires.
11. Install the 12" heat-shrinkable tube on the cable, aligning the end of the tube with the 2" mark from Step 10.
12. Shrink the tubing with hot air gun starting at the fiber end first, working your way toward the cable. Shrink remaining lump of adhesive from the two rings last.
13. Refer to the FOSC 400 Closure Installation Instructions for further information on installing cables in cable ports.

Note: Clean and abrade the shrunken heat-shrinkable tubing as you would the outer cable sheath when installing cable seals. Don't forget to install the tubular cable seal over the cable before installing the cable in the port!

5.0 OPGW Installation in Oval Port of FOSC 400 Series Closures

Before recovering a hot air sleeve on the oval port, strain-relieve the cables with the provided large tie-wrap. Secure the cables together 1" beyond the end of the sleeve as shown. Leave the tie wrap in place permanently to provide strain relief. (Figure 4)

Figure 1

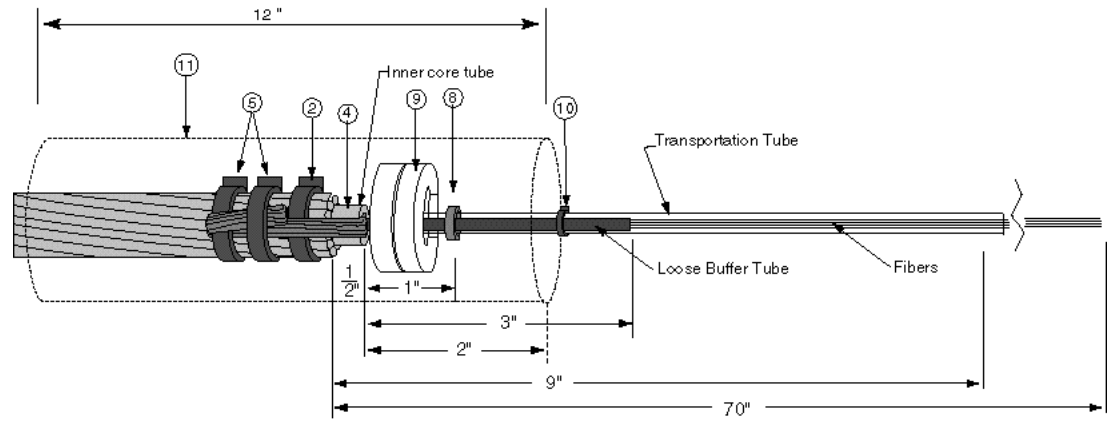


Figure 2

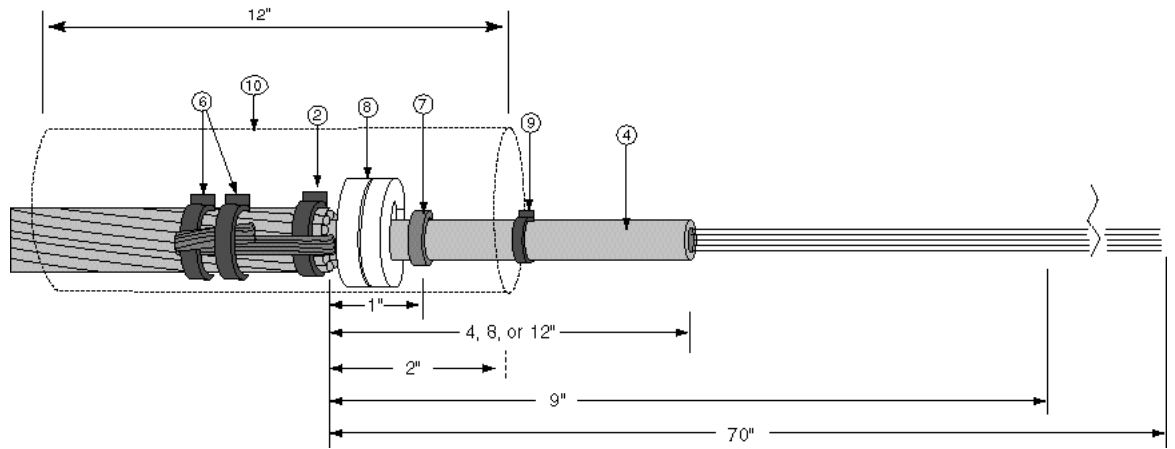


Figure 3

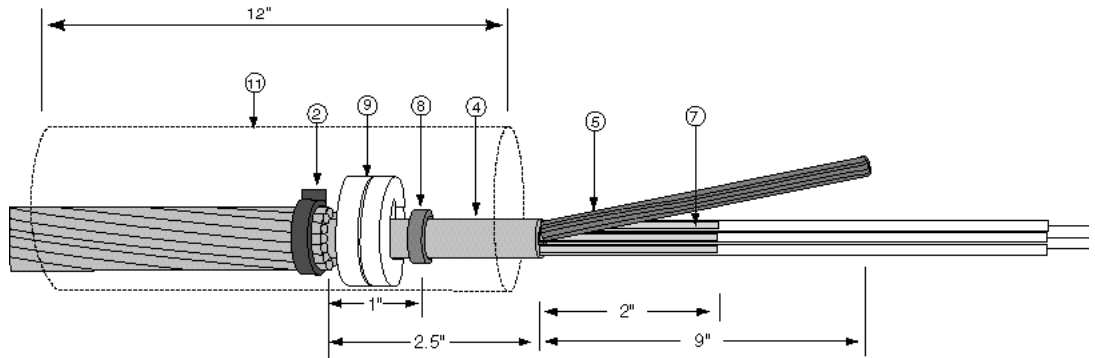
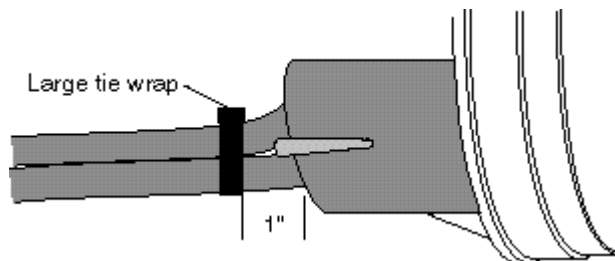


Figure 4



Technical Assistance Center (TAC)
Tel.: 800.830.5056
Email: TAC.Americas@commscope.com
www.commscope.com

FOSC 400 is a trademark of CommScope Inc.

The information given herein, including drawings, illustrations and schematics which are intended for illustration purposes only, is believed to be reliable. However, CommScope makes no warranties as to its accuracy or completeness and disclaims any liability in connection with its use. CommScope obligations shall only be as set forth in CommScope Standard Terms and Conditions of Sale for this product and in no case will CommScope be liable for any incidental, indirect or consequential damages arising out of the sale, resale, use or misuse of the product. Users of CommScope products should make their own evaluation to determine the suitability of each such product for the specific application.