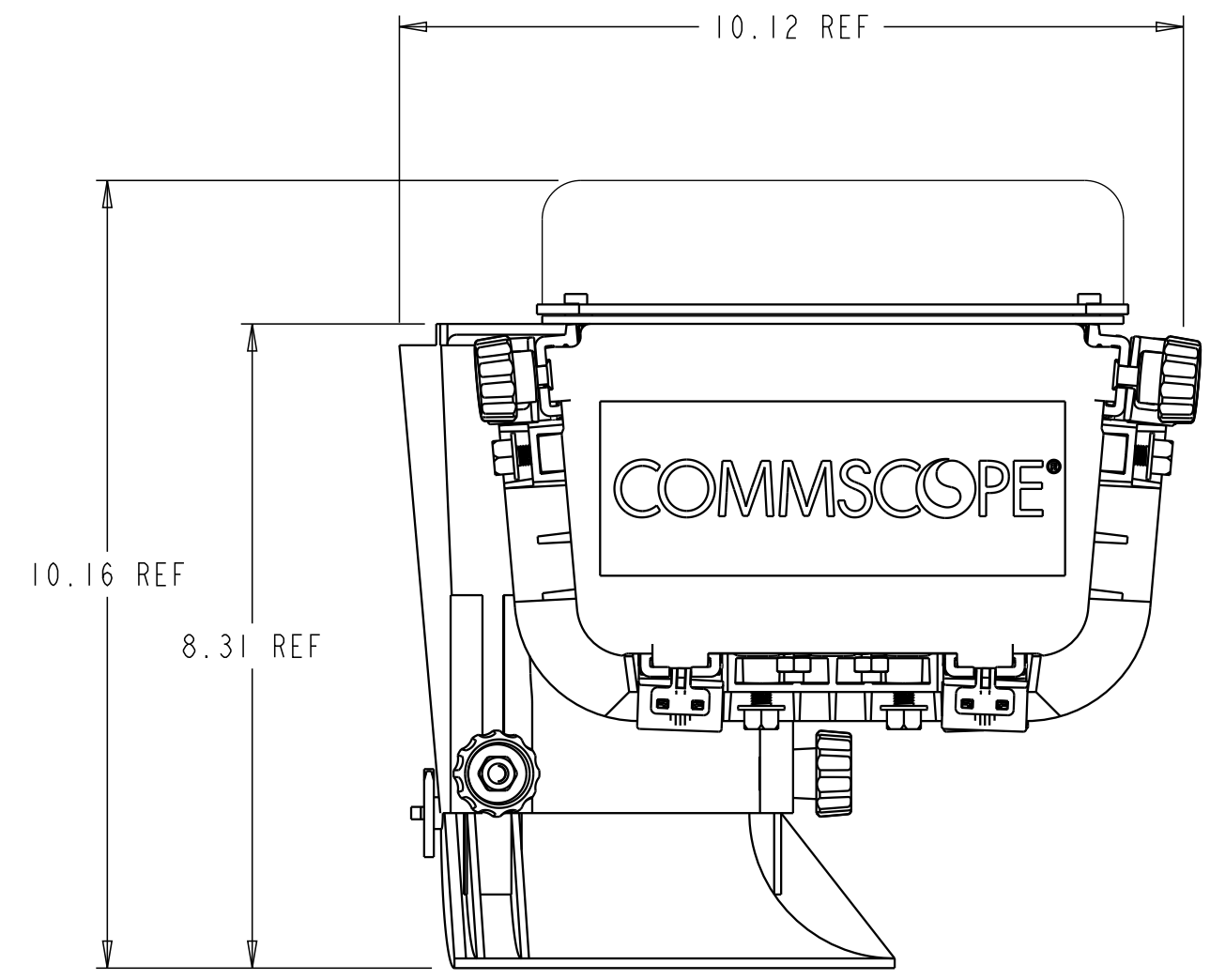
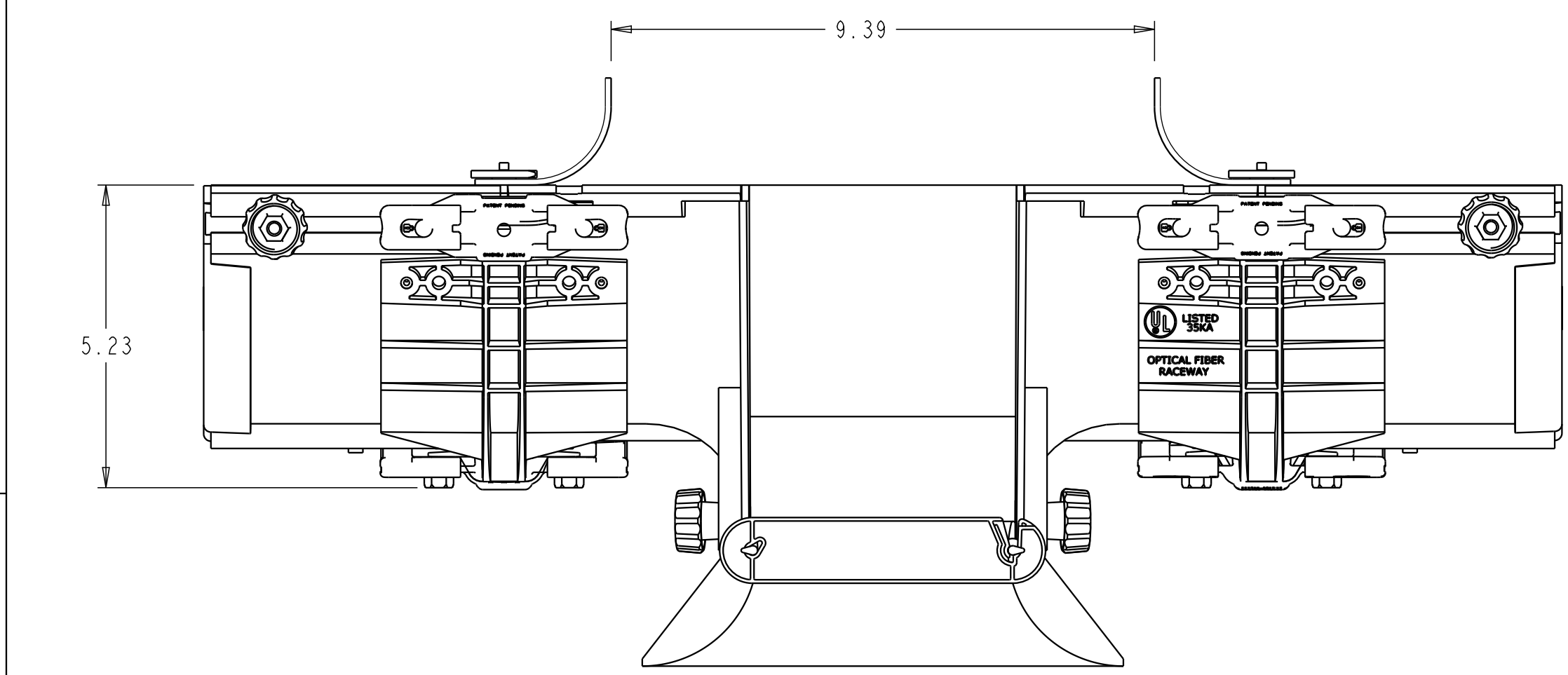
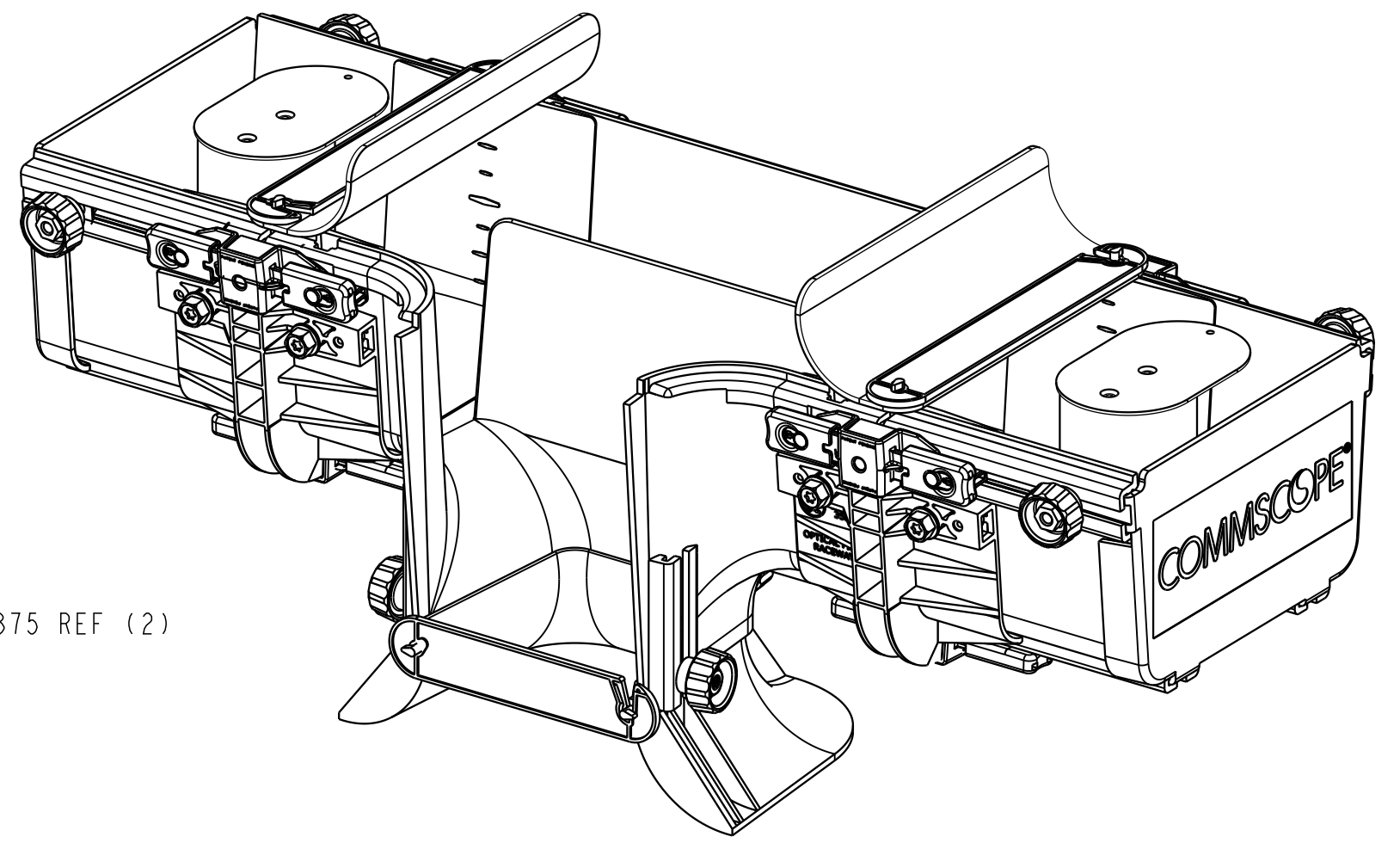
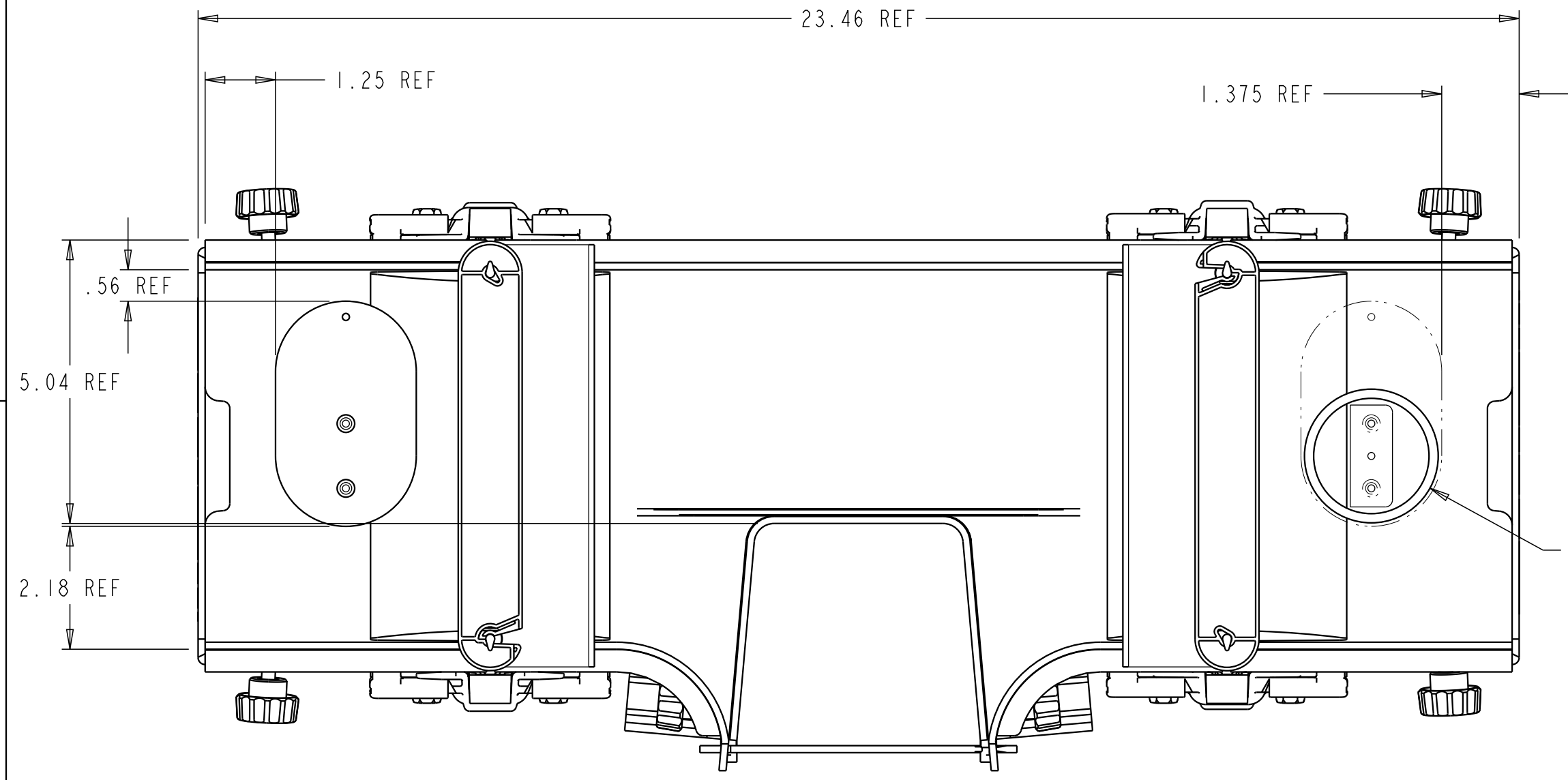


REV.	MCO	DWN	DATE
C	20136850	RLL	09-JUL-03
D	8000017247	VFV	06-OCT-16



NOTES:

1. WARNING:  
NEVER INSTALL TELEPHONE EQUIPMENT IN A WET LOCATION OR DURING A LIGHTNING STORM. WHEN INSTALLING OR MODIFYING TELEPHONE LINES, DISCONNECT LINES AT THE NETWORK INTERFACE BEFORE WORKING WITH UNINSULATED LINES OR TERMINALS.
2. FOR ADDITIONAL INFORMATION, PLEASE CALL THE COMMSCOPE PRODUCT INFORMATION CENTER AT (TOLL FREE) 1-800-366-3891.

**CATALOG NUMBER: FGS-ACC520**

COMMSCOPE, INC.

© 2016 COMMSCOPE, INC. CONFIDENTIAL NOTICE: THESE DRAWINGS AND SPECIFICATIONS ARE THE PROPRIETARY PROPERTY OF COMMSCOPE, INC. AND MAY BE USED ONLY FOR THE SPECIFIC PURPOSE AUTHORIZED IN WRITING BY COMMSCOPE, INC.		TITLE KIT, FGS ASSEMBLY OMX BAY TOP STORAGE INSTALLATION DRAWING	
ALL DIMS AND TOLERANCES ARE INCHES UNLESS OTHERWISE SPECIFIED	.XX:±.XX .XXX:±.XXX ANGULAR:±N/A	C SIZE	DRAWING NUMBER 1226468_ADC
DO NOT SCALE DRAWING	ENGR: D. DERKS DWN: D. DERKS	SHT. 1 OF 1	

DIMENSIONS IN INCHES  
THIRD ANGLE PROJECTION