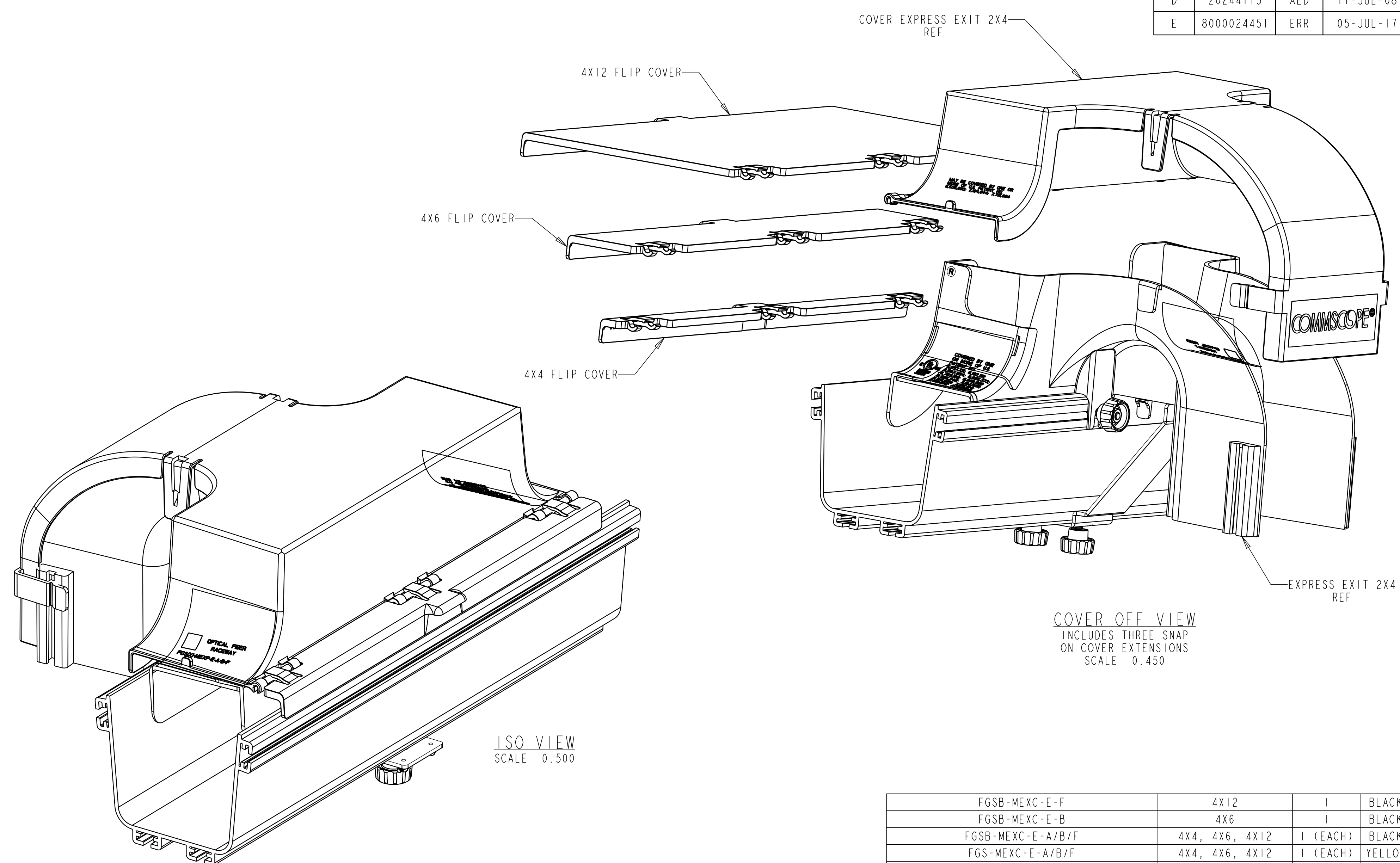


REV.	MCO	DWN	DATE
D	20244115	AED	11-JUL-08
E	8000024451	ERR	05-JUL-17



ISO VIEW
SCALE 0.500

COVER OFF VIEW
INCLUDES THREE SNAP
ON COVER EXTENSIONS
SCALE 0.450

INSTALLATION INSTRUCTIONS:

1. CHOOSE APPROPRIATE FLIP COVER TO COVER REMAINING TROUGH. SNAP FLIP COVER ONTO EXPRESS EXIT AS SHOWN.

FGSB-MEXC-E-F	4X12	1	BLACK
FGSB-MEXC-E-B	4X6	1	BLACK
FGSB-MEXC-E-A/B/F	4X4, 4X6, 4X12	1 (EACH)	BLACK
FGS-MEXC-E-A/B/F	4X4, 4X6, 4X12	1 (EACH)	YELLOW
FGS-MEXC-E-F	4X12	1	YELLOW
FGS-MEXC-E-B	4X6	1	YELLOW
FGS-MEXC-E-A	4X4	1	YELLOW
CATALOG NUMBER	FLIP COVERS INCLUDED	COVER QUANTITY	COLOR

COMMSCOPE, INC.

© 2016 COMMSCOPE, INC. CONFIDENTIAL
NOTICE: THESE DRAWINGS AND SPECIFICATIONS ARE THE PROPRIETARY PROPERTY OF COMMSCOPE, INC. AND MAY BE USED ONLY FOR THE SPECIFIC PURPOSE AUTHORIZED IN WRITING BY COMMSCOPE, INC.

TITLE
KIT, BRACKET,
RESTRAINING, L/R, FGS

ALL DIMS AND TOLERANCES .XX:±N/A
ARE INCHES UNLESS .XXX:±N/A
OTHERWISE SPECIFIED ANGULAR:±N/A

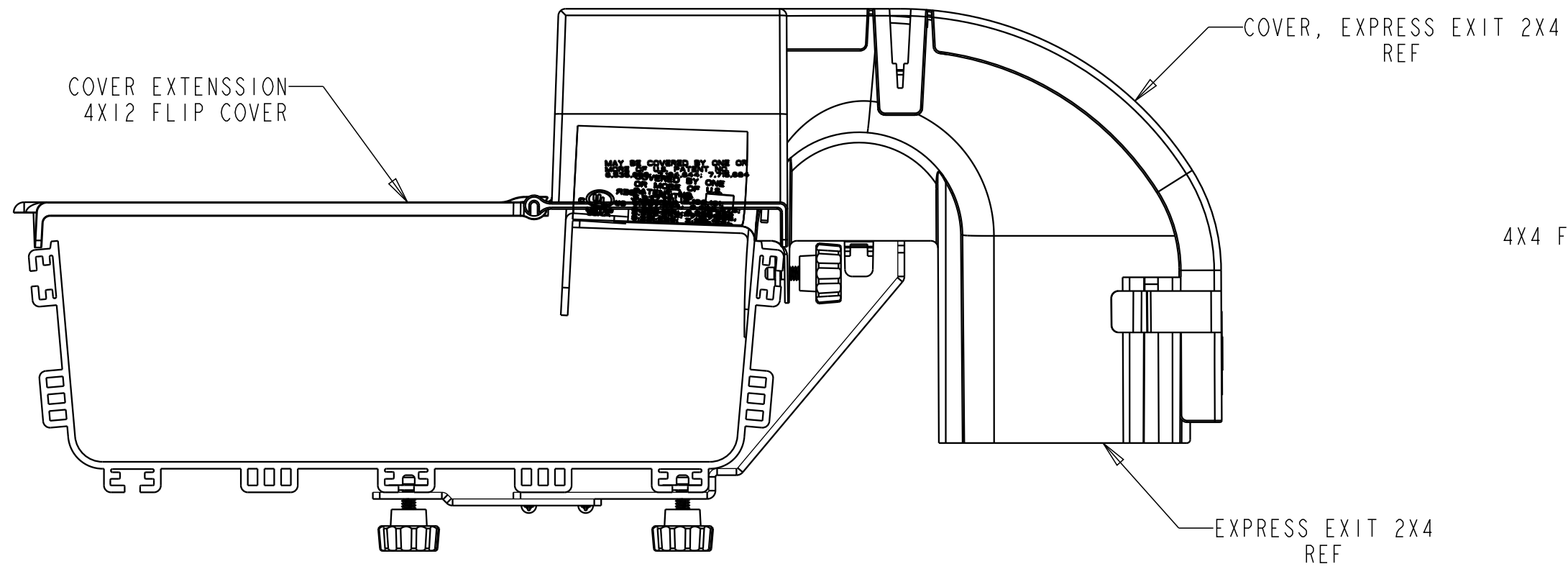
C SIZE DRAWING NUMBER
E REV
1178469_ADC

DO NOT SCALE DRAWING

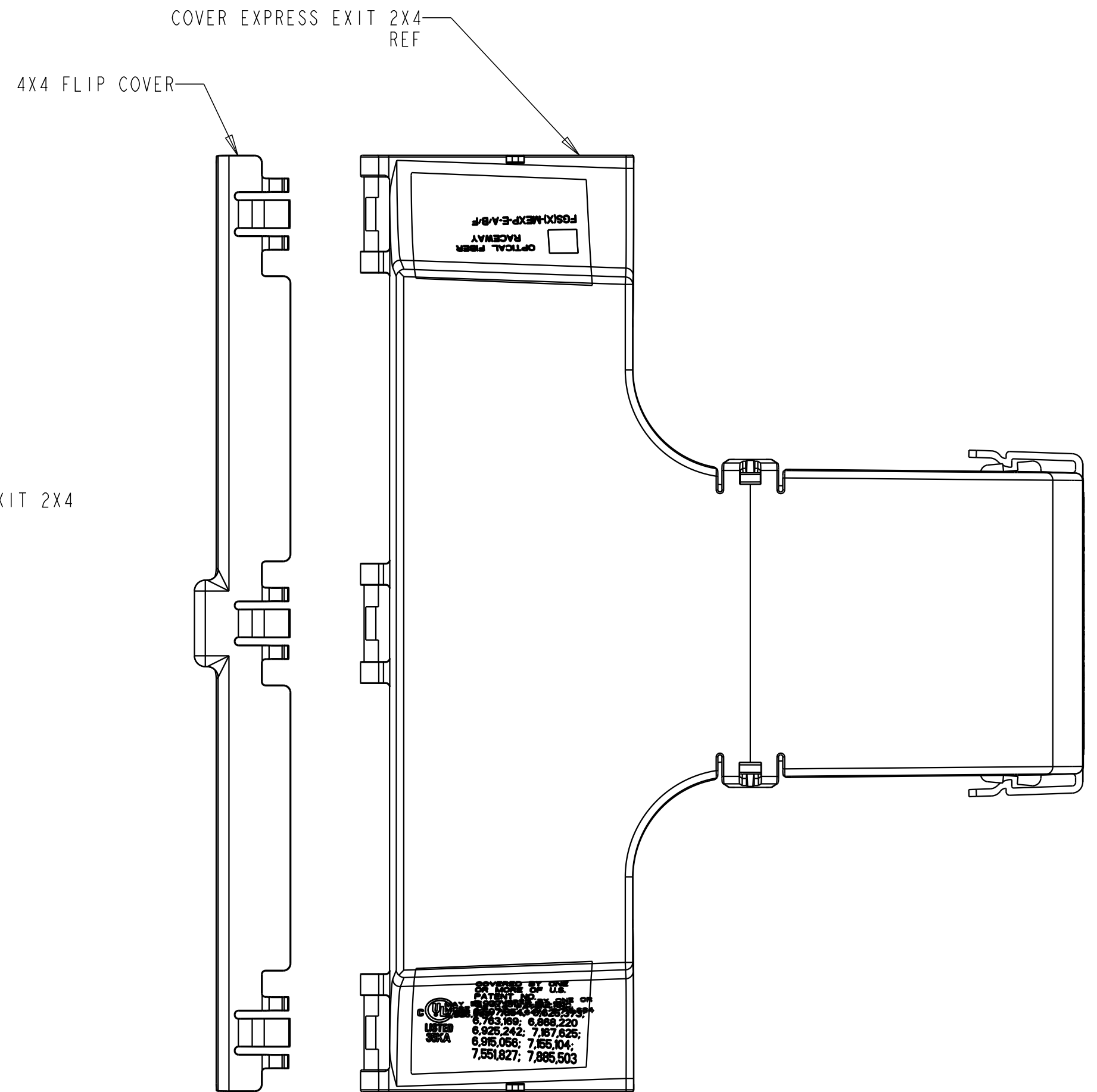
ENGR: JOHN VAN SCOY
DWN: JASON DANNER

SHT. 1 OF 2

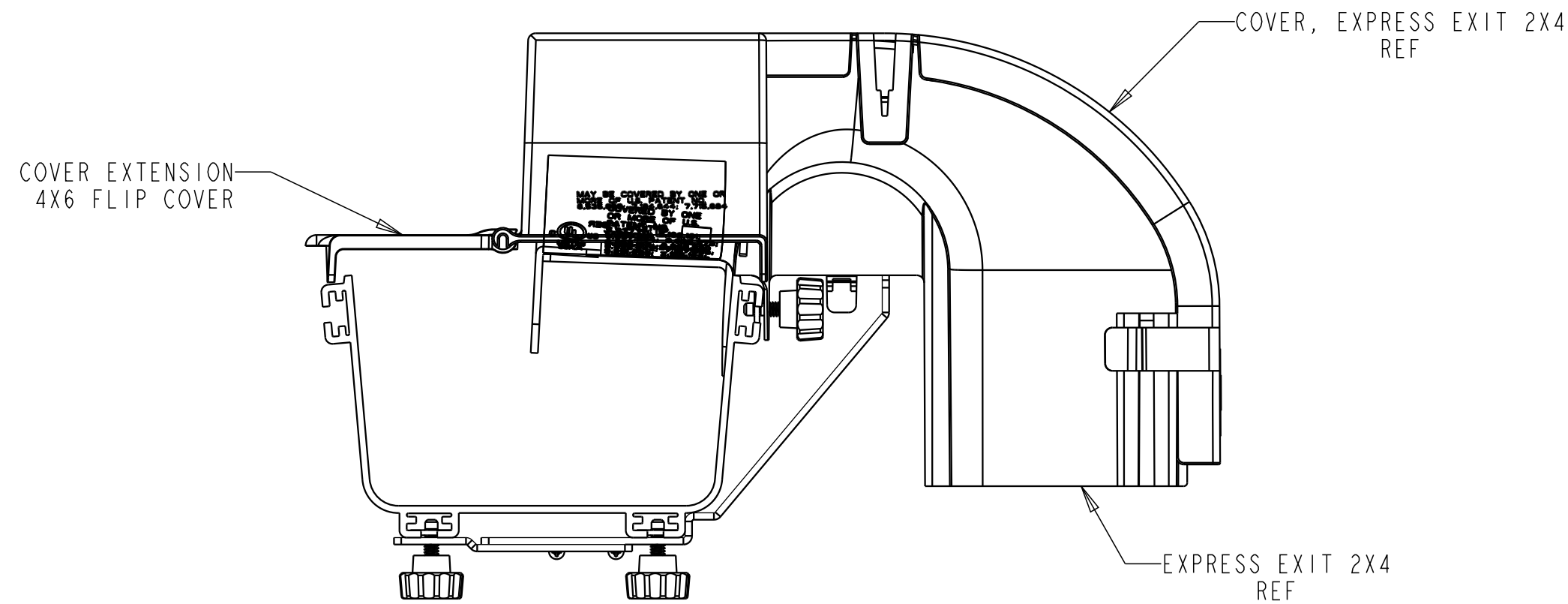
DIMENSIONS IN INCHES
THIRD ANGLE PROJECTION



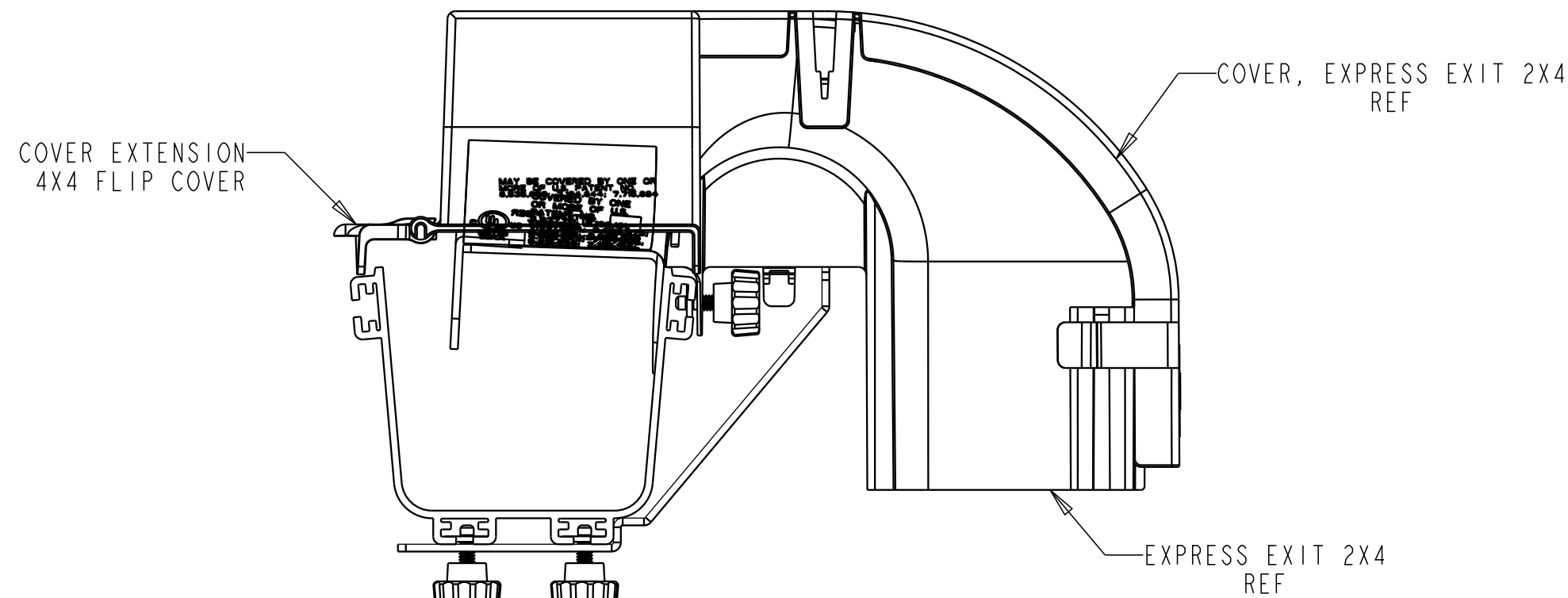
4X12 EXPRESS EXIT FLIP COVER ASSEMBLY
SCALE 0.400



FLIP COVER ASSEMBLY
SCALE 0.500



4X6 EXPRESS EXIT FLIP COVER ASSEMBLY
SCALE 0.400



4X4 EXPRESS EXIT FLIP COVER ASSEMBLY
SCALE 0.400

COMMSCOPE, INC.

© 2016 COMMSCOPE, INC. CONFIDENTIAL
NOTICE: THESE DRAWINGS AND SPECIFICATIONS
ARE THE PROPRIETARY PROPERTY OF
COMMSCOPE, INC. AND MAY BE USED ONLY FOR THE
SPECIFIC PURPOSE AUTHORIZED IN WRITING BY
COMMSCOPE, INC.

ALL DIMS AND TOLERANCES .XX:±N/A
ARE INCHES UNLESS .XXX:±N/A
OTHERWISE SPECIFIED ANGULAR:±N/A

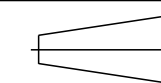
DO NOT SCALE DRAWING

ENGR: JOHN VAN SCOY
DWN: JASON DANNER

TITLE
KIT, BRACKET,
RESTRAINING, L/R, FGS

DRAWING NUMBER
1178469_ADC

SHT. 2 OF 2



DIMENSIONS IN INCHES
THIRD ANGLE PROJECTION