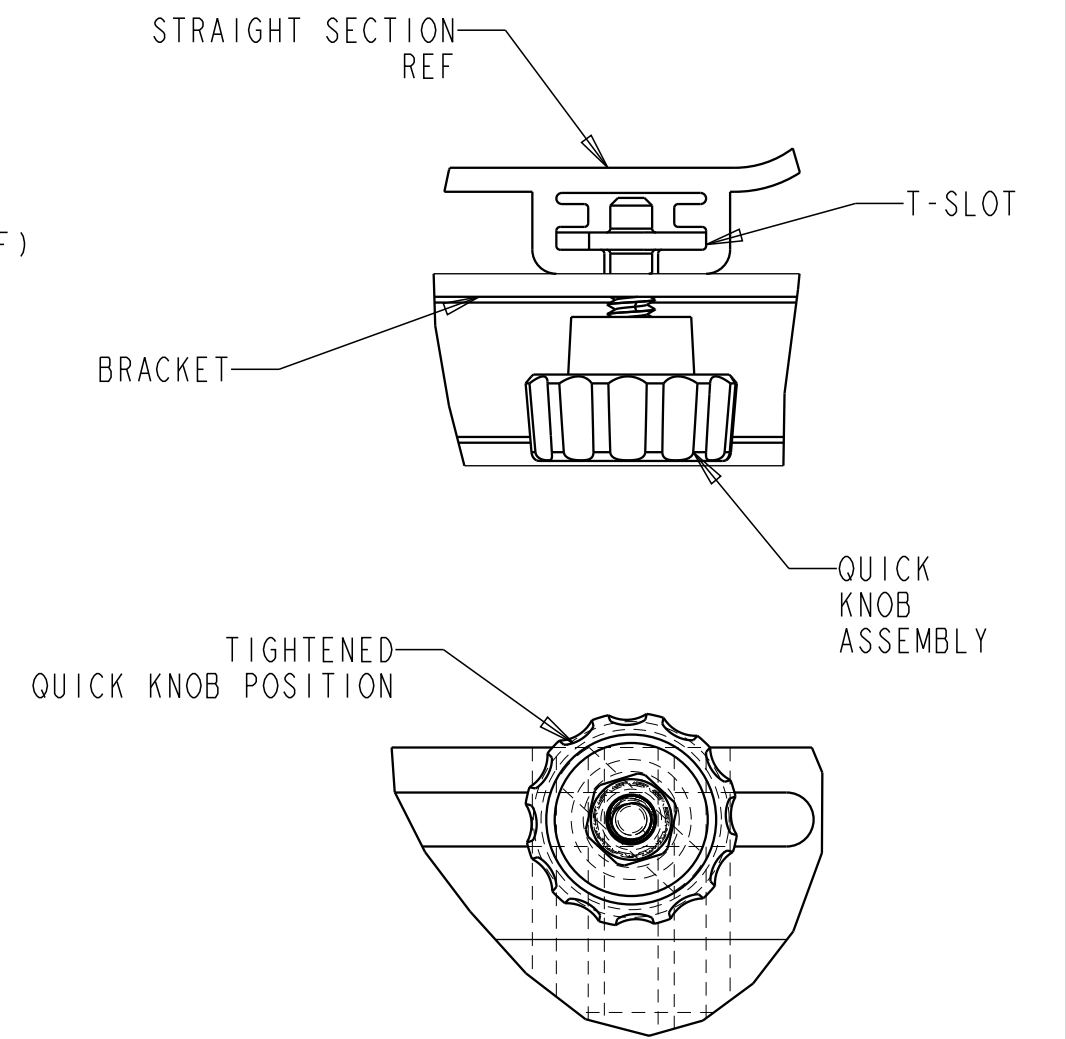
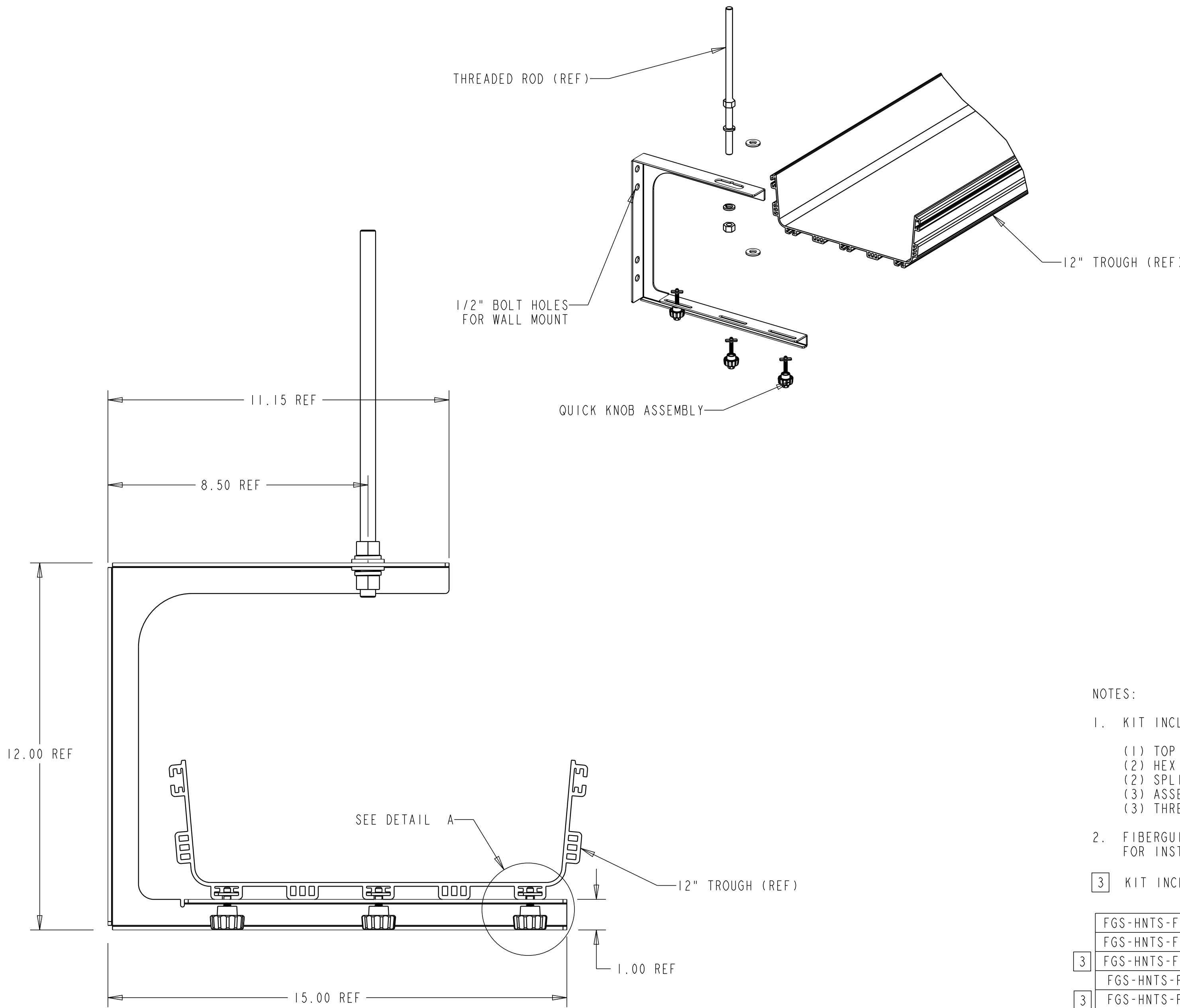


REV.	MCO	DWN	DATE
A	20087405	CNC	11-APR-01
B	40030119MCO	VFV	20-MAY-16



DETAIL A
QUICK KNOB INSTALLATION
SCALE 1.000

NOTES:

- KIT INCLUDES THE FOLLOWING:
 - (1) TOP MOUNT BRACKET
 - (2) HEX NUT
 - (2) SPLIT LOCK WASHER
 - (3) ASSEMBLED QUICK KNOB
 - (3) THREAD-FORMING BOSS SCREW
- FIBERGUIDE ASSEMBLY: SEE THE INCLUDED REFERENCE DOCUMENT FOR INSTALLATION WITH EITHER QUICK KNOBS OR BOSS SCREWS.
- KIT INCLUDES FLAT WAHSER QUANTITY 2

CATALOG NUMBER	DESCRIPTION
FGS-HNTS-F-16MM	TOP MOUNT FIBER GUIDE KIT 16mm ROD
FGS-HNTS-F-14MM	TOP MOUNT FIBER GUIDE KIT 14mm ROD
3 FGS-HNTS-F-12MM	TOP MOUNT FIBER GUIDE KIT 12mm ROD
FGS-HNTS-F-5/8	TOP MOUNT FIBER GUIDE KIT 5/8" ROD
3 FGS-HNTS-F-1/2	TOP MOUNT FIBER GUIDE KIT 1/2" ROD

COMMSCOPE, INC.

© 2016 COMMSCOPE, INC. CONFIDENTIAL NOTICE: THESE DRAWINGS AND SPECIFICATIONS ARE THE PROPRIETARY PROPERTY OF COMMSCOPE, INC. AND MAY BE USED ONLY FOR THE SPECIFIC PURPOSE AUTHORIZED IN WRITING BY COMMSCOPE, INC.		TITLE TOP MOUNT 12" FGS INSTALLATION DRAWING	
ALL DIMS AND TOLERANCES ARE INCHES UNLESS OTHERWISE SPECIFIED	.XX:±.02 .XXX:±.010 ANGULAR:±2°	C SIZE	DRAWING NUMBER 1168686_ADC
DO NOT SCALE DRAWING	ENGR: DEREK DERKS DWN: CRAIG ZELASKO	B REV	
		SHT. 1 OF 1	

DIMENSIONS IN INCHES
THIRD ANGLE PROJECTION