

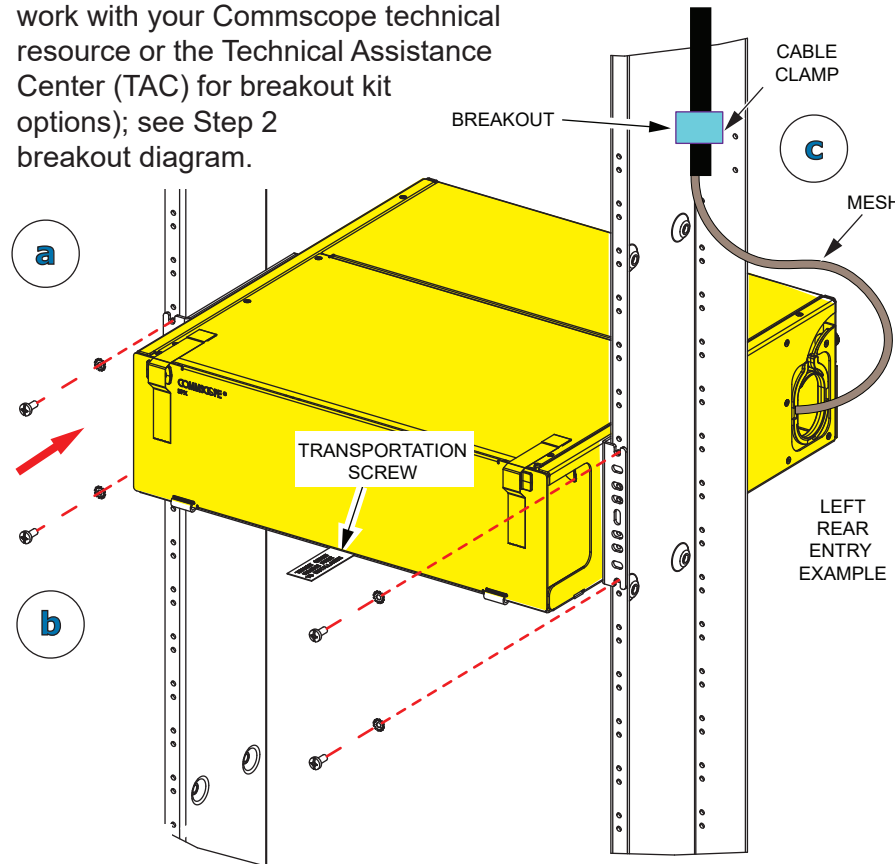
### EPX SPLICE PANEL

#### Product Description

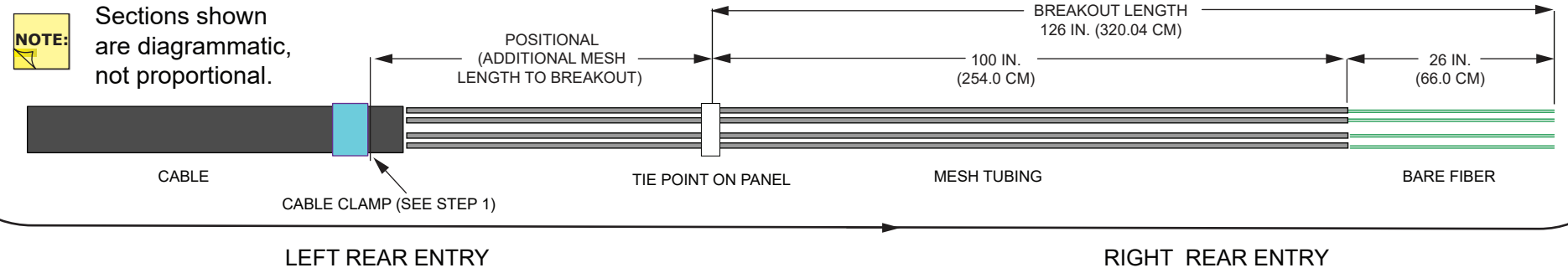
The EPX Splice panel (760254513 | EPX-3U-SPL-ENC) is a 3RU, 19-inch rack-mount panel that holds and protects splices when mating two blunt cables. Each panel accommodates up to 336 single fibers in 7 AGL splice trays (760241378 | AGL Splice-48). Each splice tray holds 48 fibers, each providing stackable, 48-fiber capacity per tray for a total of 336 single fiber splices. Accessories listed at right must be ordered separately.

PARTS LIST	
DESCRIPTION	QUANTITY
EPX SPLICE PANEL	1
RACK SCREW	4
TOOLS REQUIRED	
DESCRIPTION	QUANTITY
PHILLIPS #2 SCREWDRIVER	1
SNIPS	1
ACCESSORIES	
CABLE CLAMP	
MESH TUBING	
AGL SPLICE TRAY (760241378/AGL-Splice-48)	

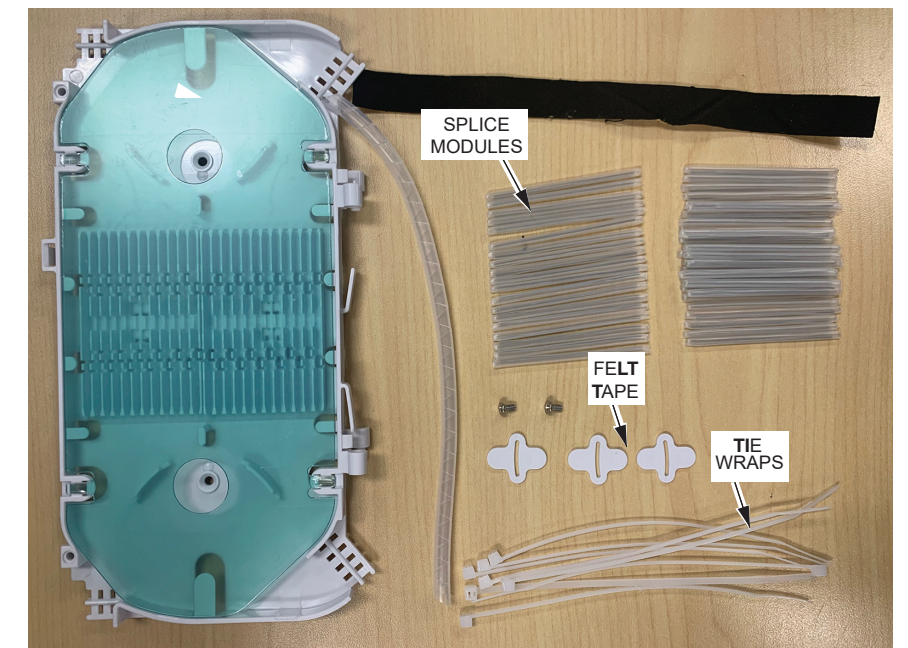
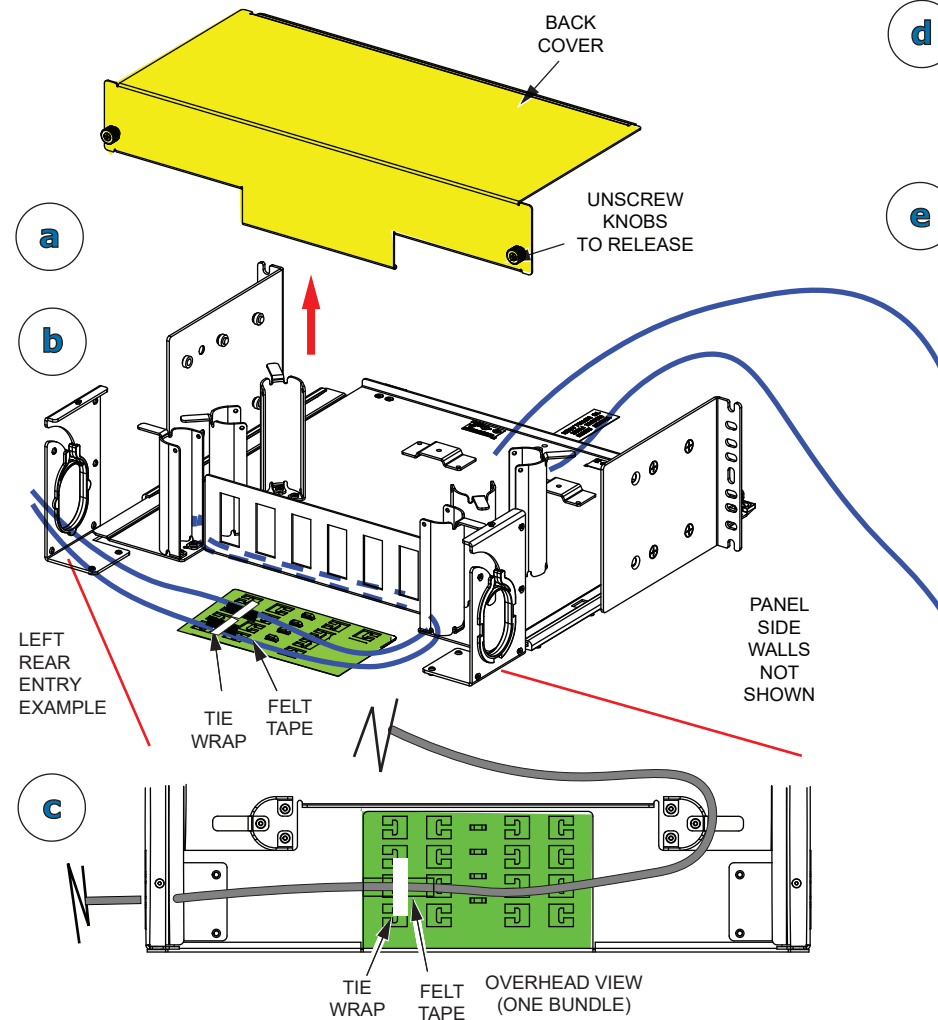
**1 Install Panel as follows:** (a) mount panel on frame; (b) remove 1x transportation screw from panel (it holds the ALERT label); (c) mount input and output cables on frame at adjacent location using cable clamp of customer choice (order separately; work with your Commscope technical resource or the Technical Assistance Center (TAC) for breakout kit options); see Step 2 breakout diagram.



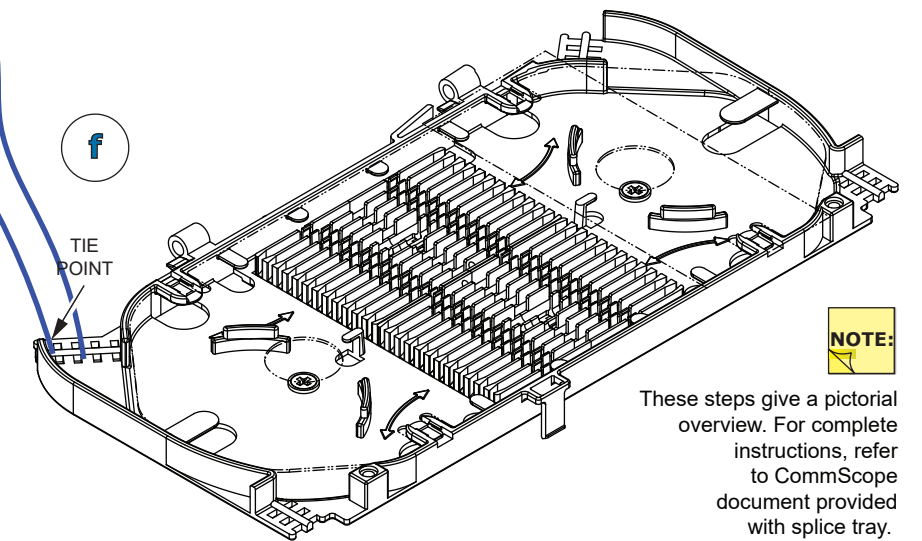
**2 Break Out Input and Output Cables .** Break out the cables per the diagram below, fitting the sub-units with mesh tubing as indicated. Route each sub-unit “bundle” into either back corner of the panel as shown in Step 3. Secure the mesh tubing with tie wraps and felt tape in the location shown.



**3 Install Cable as follows:** (a) remove back cover (unscrew knob to release it); (b) route cable bundles to the rear of the panel; secure on cable mount using cable tie and felt tape; (c) bring bundles forward to the panel front; (d) unpack splice tray and identify components; (e) route bundles to splice tray for splicing on nearby table; (f) splice as shown; see Note below.

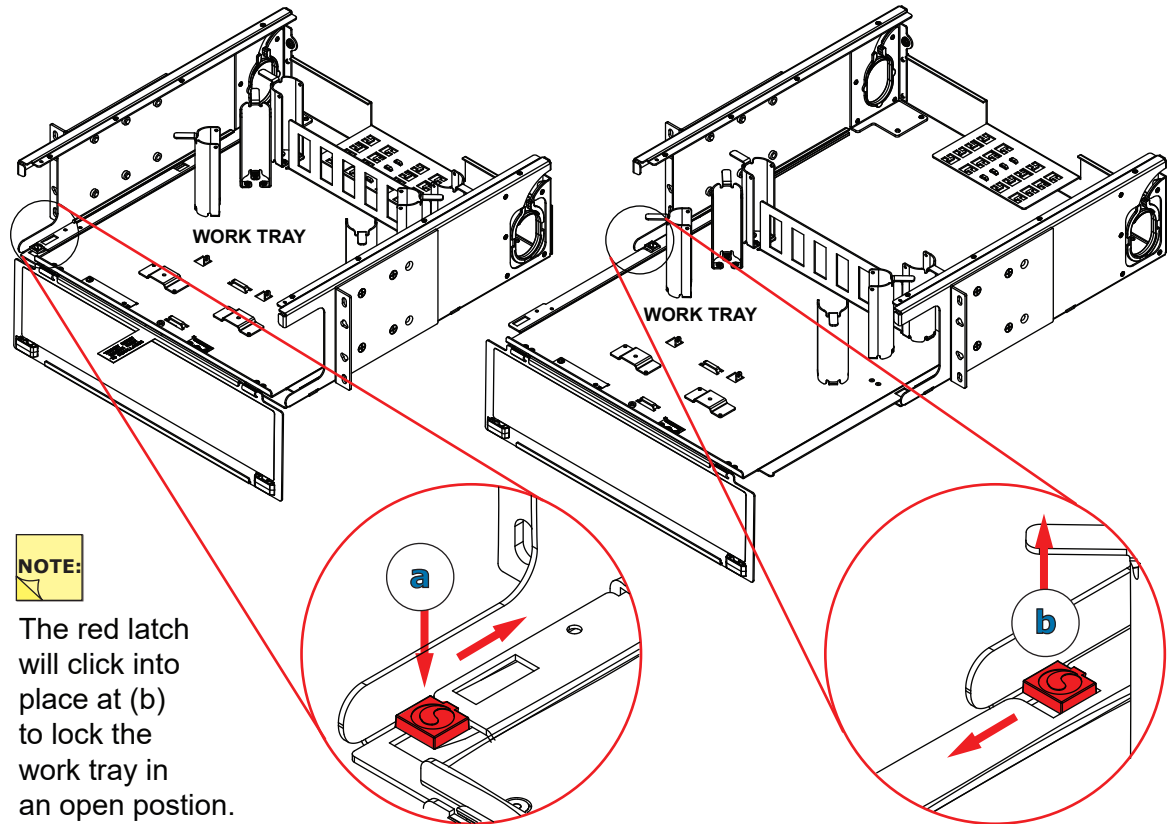


AGL SPLICE TRAY COMPONENTS



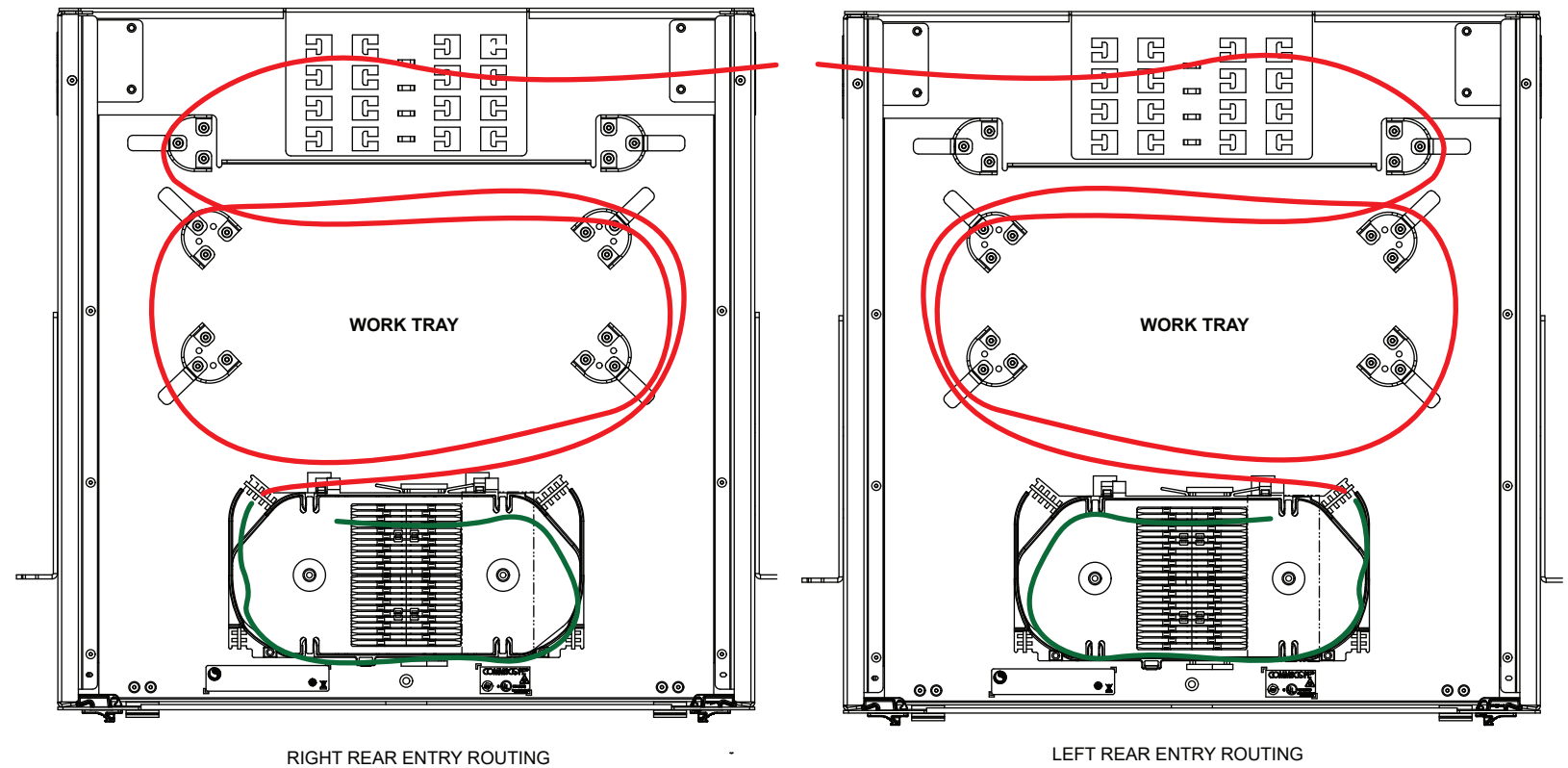


**4** Press on the red latch (a) to release the work tray and pull it out toward the front of the panel as shown, until the red latch click into position at (b).



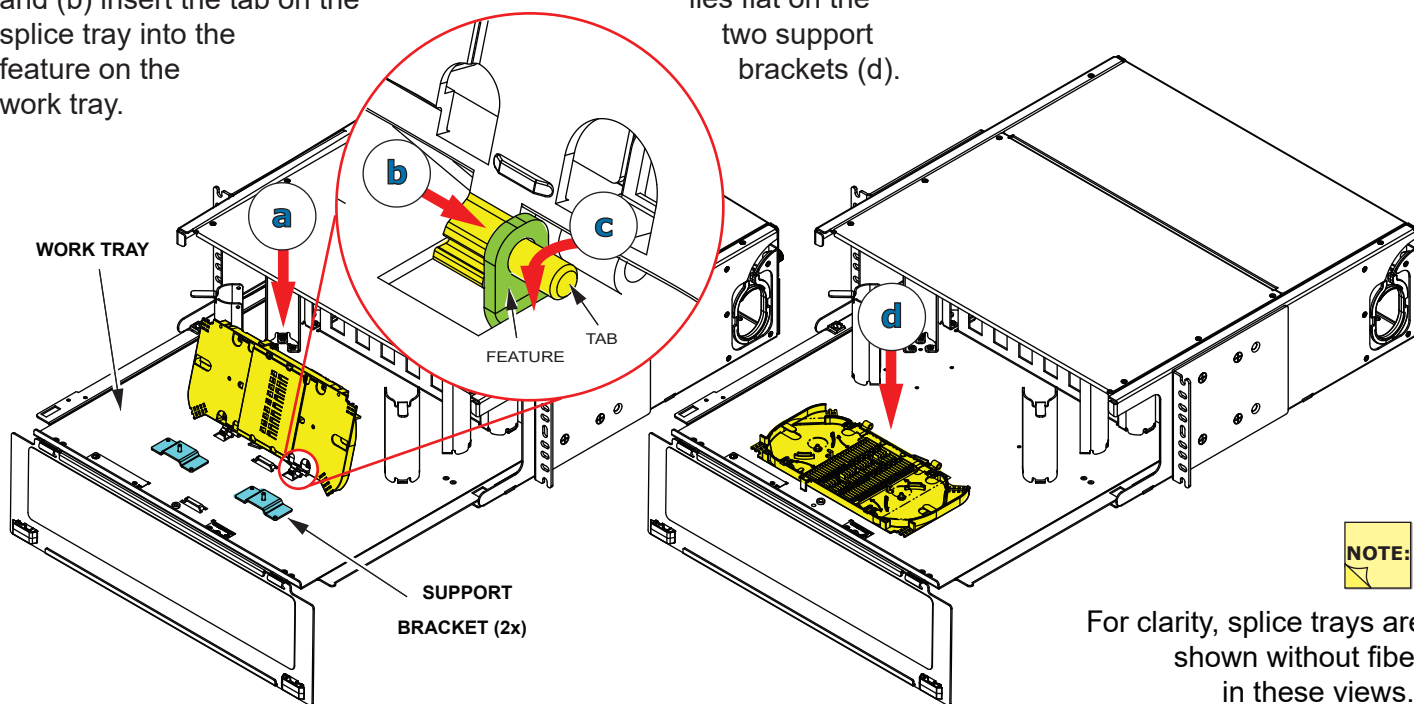
**NOTE:**  
The red latch will click into place at (b) to lock the work tray in an open position.

**5** After loading a splice tray per the instructions in the splice tray kit, wind the splice tray and attached bundles back into the panel, looping the bundles within the panel as shown.



**6** Install the first splice tray into the panel as follows:

(a) Hold tray perpendicular to panel and (b) insert the tab on the splice tray into the feature on the work tray. (c) Fold splice tray down until it lies flat on the two support brackets (d).

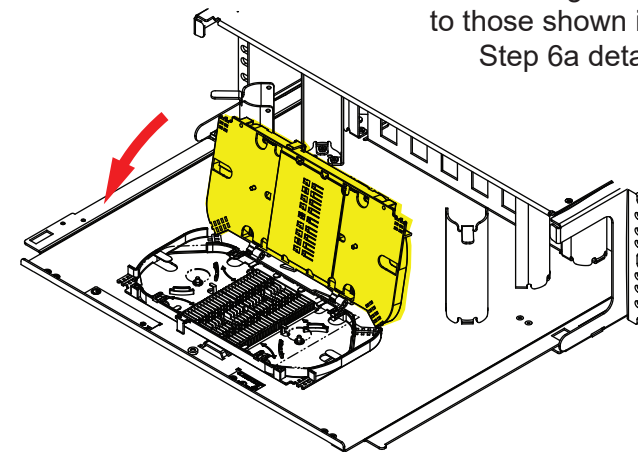


**NOTE:**

For clarity, splice trays are shown without fiber in these views.

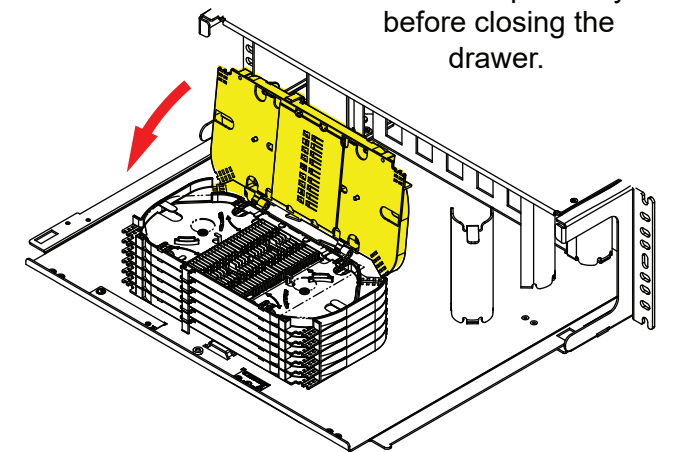
**7** Install additional trays as follows:

(a) Hold tray perpendicular to top splice tray already installed and insert tray into features analogous to those shown in Step 6a detail.



(b) Repeat until last tray..

**NOTE:** The panel holds 7 splice trays. Use the Velcro strip (provided) to secure the splice trays before closing the drawer.



**8** Release red latch and slide work tray with splice trays back into panel. Dress cables in an orderly manner. Close panel doors.