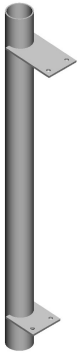


MT-397



Tapered Pipe Mount, 4-1/2 in OD x 63 in

Product Classification

Product Type Pipe mount

General Specifications

Mounting Saddle mounts

Note One 4 ft microwave antenna per sector, with antenna stiff arm

Pipe, quantity 1

Tower Taper Tapered

Dimensions

Height 228.6 mm | 9 in

Width 127 mm | 5 in

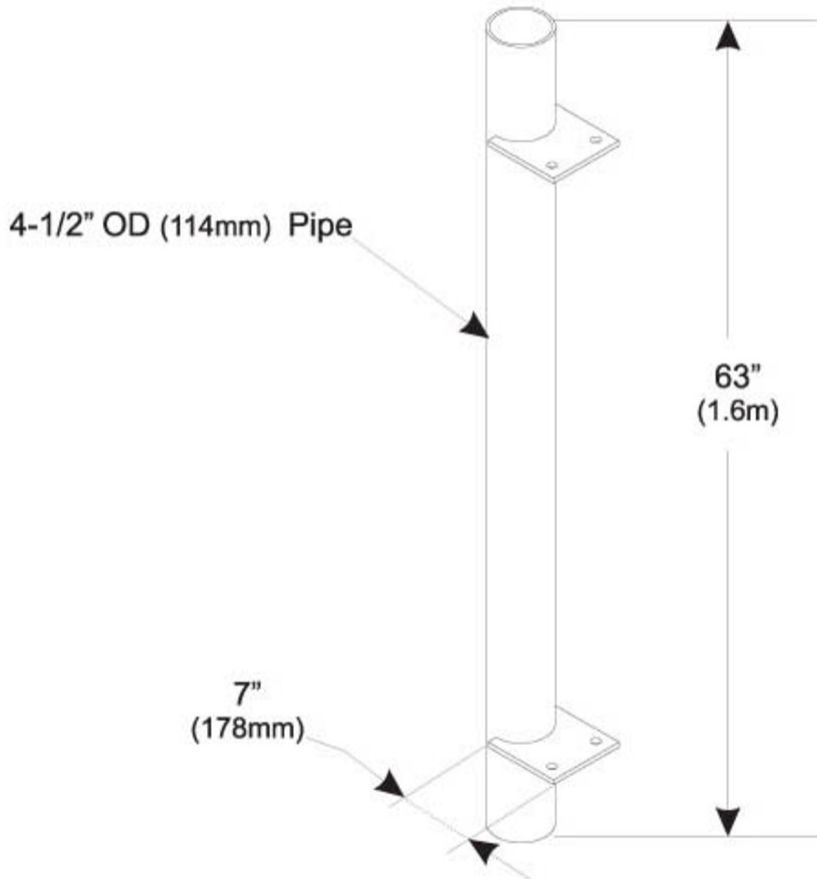
Length 1,600.2 mm | 63 in

Pipe Length 1,600.2 mm | 63 in

Pipe Outer Diameter 114.3 mm | 4.5 in

MT-397

Outline Drawing



Material Specifications

Material Type Hot dip galvanized steel

Mechanical Specifications

Wind Rating 90 mph (BWS) at 150 ft AGL

Wind Rating Test Method TIA/EIA-222

Packaging and Weights

Included Pipe mounts

Packaging quantity 1

MT-397

Weight, net 30 kg | 66.139 lb

Regulatory Compliance/Certifications

Agency

ISO 9001:2015



Classification

Designed, manufactured and/or distributed under this quality management system

* Footnotes

Wind Rating

BWS—Base Wind Speed; FBC—Florida Building Code