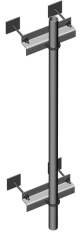


MT-250



Cantilever Wall Mount Bracket, 2-3/4 in stand-off, pipe not included

Product Classification

Product Type Wall mount kit

General Specifications

Mounting Walls

Dimensions

Height 101.6 mm | 4 in

Width 368.3 mm | 14.5 in

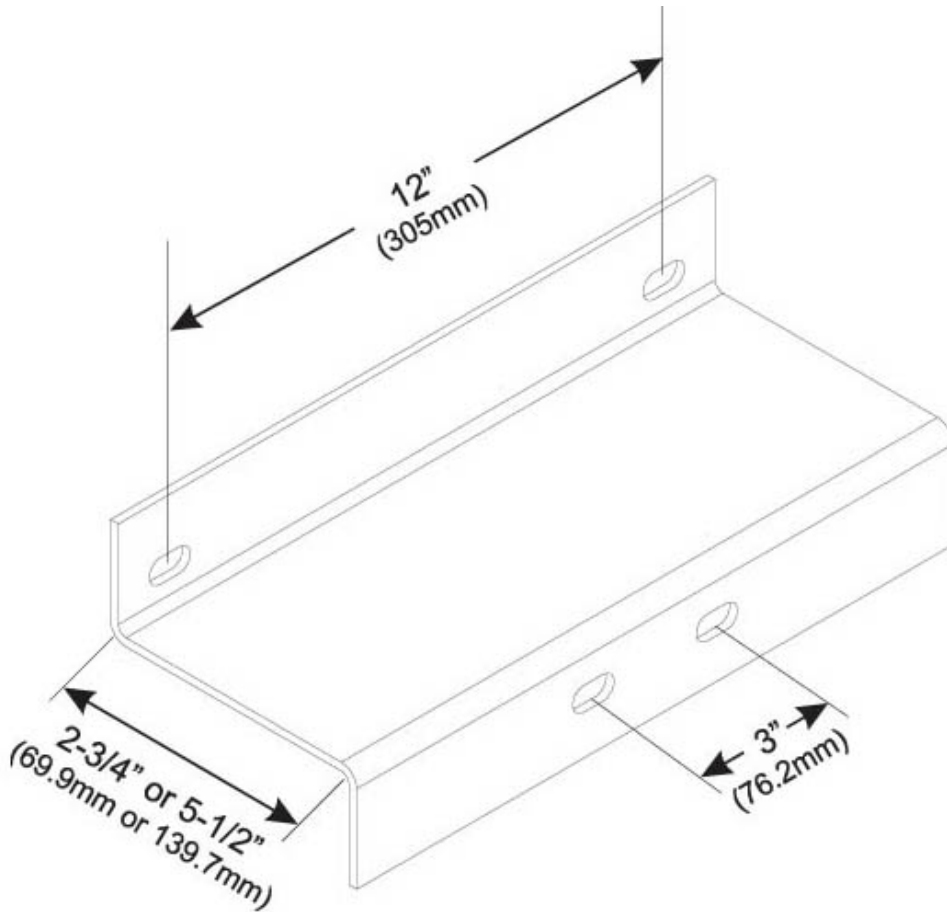
Length 101.6 mm | 4 in

Pipe Outer Diameter 60.96 mm | 2.4 in

Stand-off Distance 71.12 mm | 2.8 in

MT-250

Outline Drawing



Material Specifications

Material Type Hot dip galvanized steel

Mechanical Specifications

Wind Rating For Specifications, please contact steelproducts@commscope.com or call 800-255-1479

Packaging and Weights

Included Anchors | Brackets (2) | U-bolts | Wall mount hardware

Packaging quantity 2

Weight, net 9.3 kg | 20.503 lb

MT-250

Regulatory Compliance/Certifications

Agency

CHINA-ROHS

ISO 9001:2015

REACH-SVHC

ROHS

UK-ROHS



Classification

Below maximum concentration value

Designed, manufactured and/or distributed under this quality management system

Compliant as per SVHC revision on www.commscope.com/ProductCompliance

Compliant

Compliant

* Footnotes

Wind Rating

BWS—Base Wind Speed; FBC—Florida Building Code