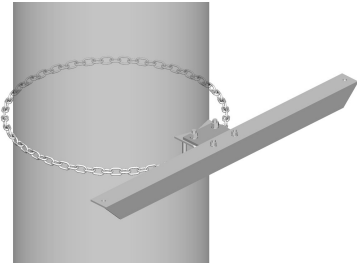


# CM-SL60

---



Light Duty Stiff Arm Mount, one 16 ft chain

## Product Classification

**Product Type** Stiff arm mount

## General Specifications

**Chains, quantity** 1

## Dimensions

**Height** 152.4 mm | 6 in

**Width** 203.2 mm | 8 in

**Length** 1,168.4 mm | 46 in

**Chain Length** 4,902.2 mm | 193 in

**Mounting Diameter, maximum** 1524 mm | 60 in

**Mounting Diameter, minimum** 203.2 mm | 8 in

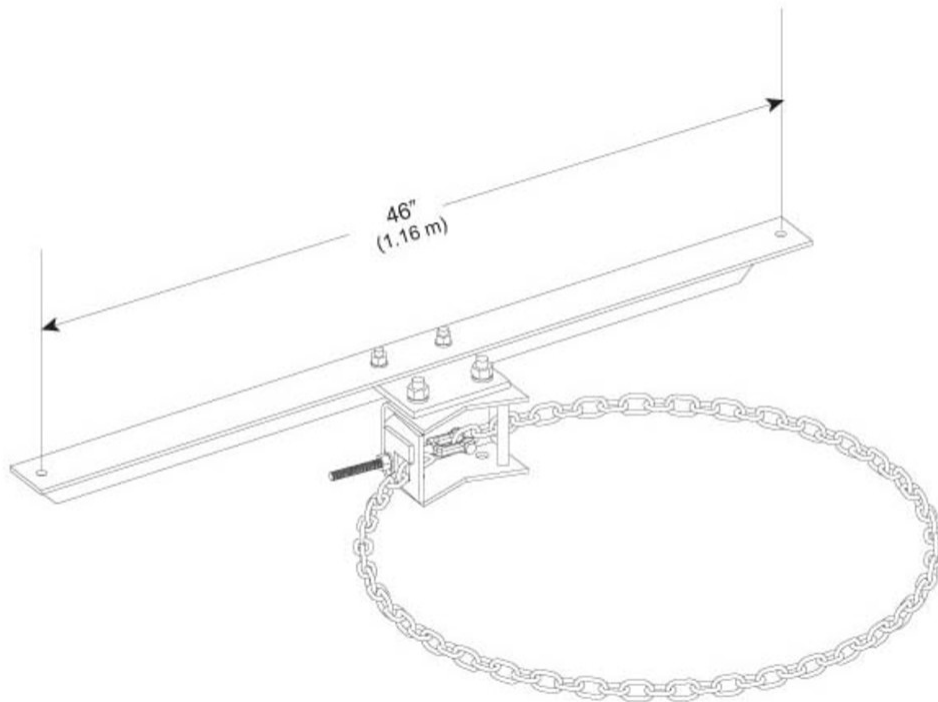
**Stand-off Distance** 1,219.2 mm | 48 in

**Mounting Circumference, maximum** 4,775.2 mm | 188 in

**Mounting Circumference, minimum** 635 mm | 25 in

# CM-SL60

## Outline Drawing



## Material Specifications

**Material Type** Hot dip galvanized steel

## Packaging and Weights

**Included** Chains | Stiff arm attachment

**Packaging quantity** 1

**Weight, net** 19.5 kg | 42.99 lb

## Regulatory Compliance/Certifications

Agency	Classification
ISO 9001:2015	Designed, manufactured and/or distributed under this quality management system