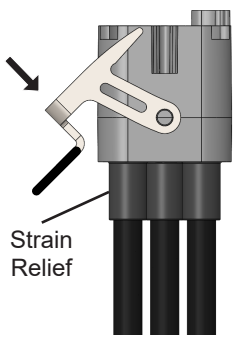
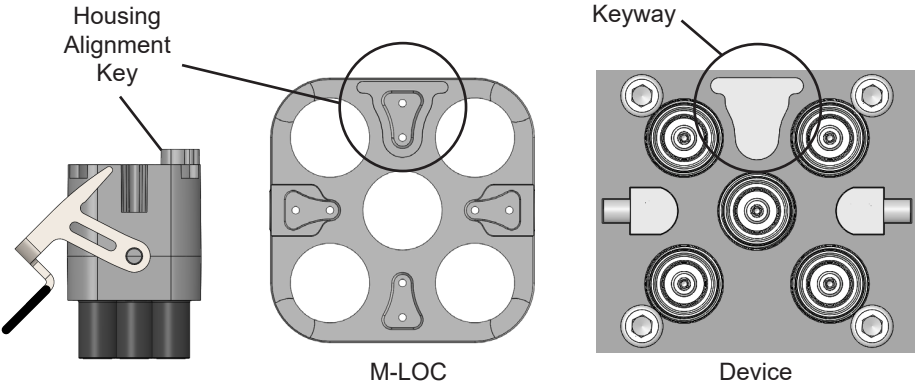
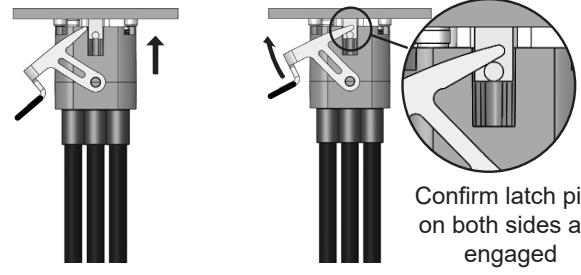
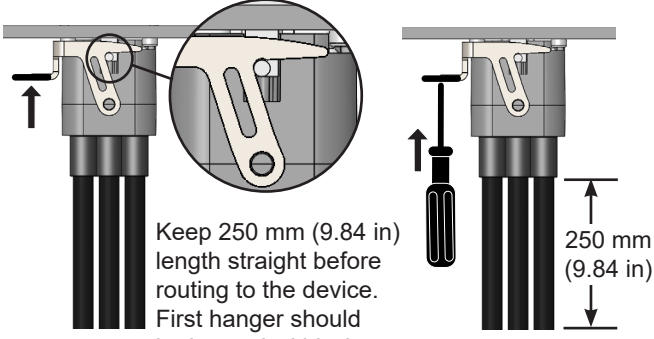
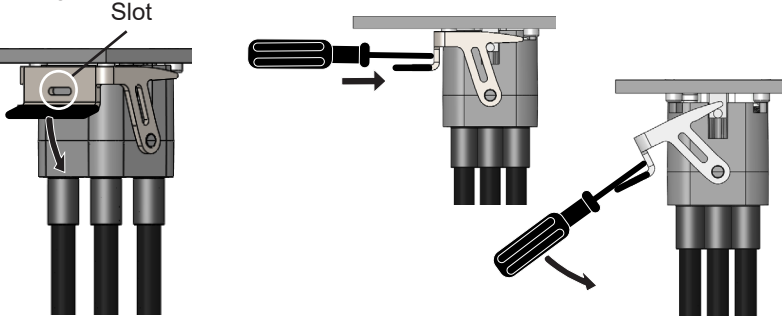
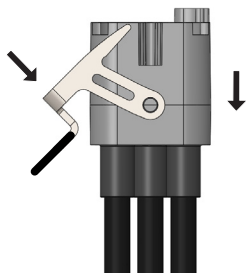


## M-LOC Connector

for HELIAX® M-LOC series Patent Pending

Bulletin 7841814 Revision D Page 1 of 2

|   |  |
|---|--|
| <p><b>1</b> Remove any packaging and dust caps from the M-LOC and the device, uncoil the M-LOC assembly. Hold the bent flange portion of latch back toward cable strain relief.</p>  <p><b>Gloves are recommended</b></p>  | <p><b>2</b> Align the key on the housing with the keyway opening in the device. Orient the holes in the M-LOC connector to the panel mount connectors.</p>   |
| <p><b>3</b> Align the M-LOC connector with the antenna mating interface and push firmly into place, eliminating gap between connector housing and bulkhead. While mating, a slight back and forth motion on the housing/cables will assist in centering and seating the port connectors into alignment. Push the latch toward the base of the antenna to engage the latch pins at the base of the connector housing.</p>  <p><b>Confirm latch pins on both sides are engaged</b></p> | <p><b>4</b> Apply force on the bent flange of the latch until the detents in the arms pop over the pins. There will be an audible and tactile click. To reduce hand strain, a screwdriver may be used.</p>  <p><b>Keep 250 mm (9.84 in) length straight before routing to the device. First hanger should be located within 0.5 meter (19.6 inches).</b></p> <p><b>250 mm (9.84 in)</b></p> |
| <p><b>5</b> To remove the M-LOC connector pull latch flange away from the base of the antenna. To reduce hand strain, a flat blade screwdriver may be inserted in the slot above the latch flange and pulled down against the flange.</p>  <p><b>Slot</b></p>  | <p><b>6</b> Grasp M-LOC connector housing, hold bent flange portion of latch back toward cable strain relief, pull the connector away from device. A slight back and forth motion on the housing helps to release the port connectors.</p>    |

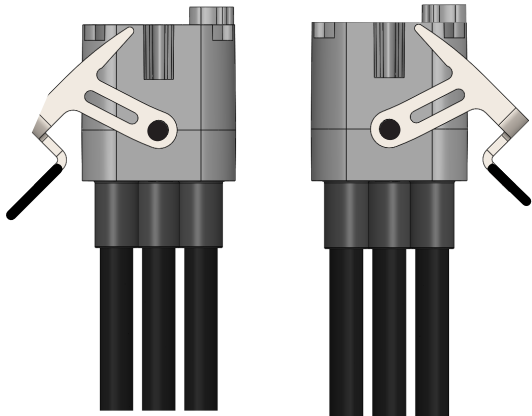
See page 2 for Reversing Latch Orientation

## M-LOC Connector

for HELIAX® M-LOC series Patent Pending

Bulletin 7841814 Revision D Page 2 of 2

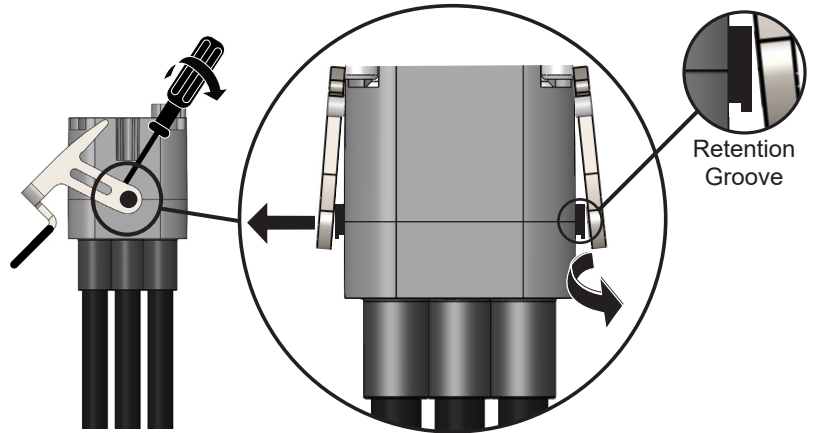
**1** The latch orientation is reversible if required.



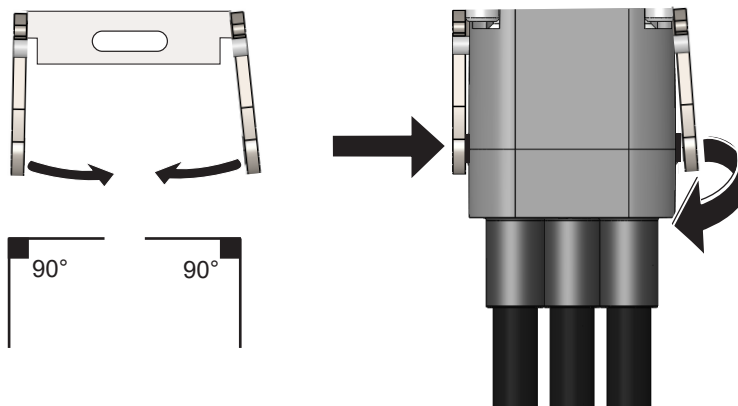
**2** Align the hole of the latch arm with the hinge pin of the connector body and pull gently away from the body, just enough to clear the end of the hinge pin. Then pull the latch arm away parallel to the body

**⚠** Ensure that the arm doesn't get caught on the retention groove or damage may occur to the hinge pins.

Roll the latch around and off the opposite pin.



**3** Once the latch is removed, bend the two arms back to 90° so they will fit tightly back onto the housing. To reattach, latch one arm over a hinge pin then roll other arm over the housing and onto the other hinge pin.



M-LOC cluster  
connector  
installation video

### CommScope

1100 CommScope Place SE P.O. Box 339, Hickory, NC 28603-0339  
(828) 324-2200 (800) 982-1708  
www.commscope.com

### Technical Support

+1 888 297 6433, Option 3 (Toll Free US and Canada)  
+1 49-9099-69-333  
<https://www.commscope.com/wisupport> (open a ticket)

Notice: CommScope disclaims any liability or responsibility for the results of improper or unsafe installation, inspection, maintenance, or removal practices.  
Aviso: CommScope no acepta ninguna obligación ni responsabilidad como resultado de prácticas incorrectas o peligrosas de instalación, inspección, mantenimiento o retiro.  
Avis : CommScope décline toute responsabilité pour les conséquences de procédures d'installation, d'inspection, d'entretien ou de retrait incorrectes ou dangereuses.  
Hinweis: CommScope lehnt jede Haftung oder Verantwortung für Schäden ab, die aufgrund unsachgemäßer Installation, Überprüfung, Wartung oder Demontage auftreten.  
Atenção: A CommScope abdica do direito de toda responsabilidade pelos resultados de práticas inadequadas e sem segurança de instalação, inspeção, manutenção ou remoção.  
Avvertenza: CommScope declina eventuali responsabilità derivanti dall'esecuzione di procedure di installazione, ispezione, manutenzione e smontaggio improprie o poco sicure.  
注意: CommScope 公司申明對於不恰當或不安全的安裝、檢驗、維修或拆卸操作所導致的後果不負責任 何義務和責任