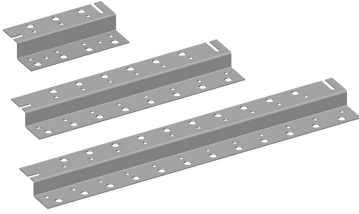


# ZB-H8

---



Horizontal Z-bracket, 23 in, for 14 coaxial cable runs

## Product Classification

**Product Type**                      Bracket kit

## General Specifications

**Cable Runs, quantity**              14

**Hole, quantity**                      14

**Mounting**                              Walls

## Dimensions

**Height**                                50.8 mm | 2 in

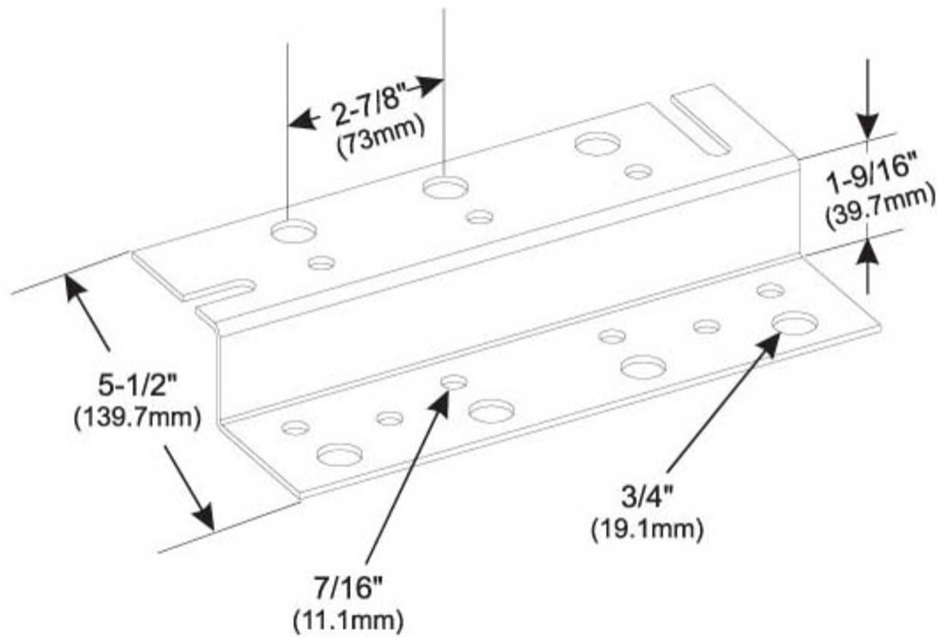
**Width**                                152.4 mm | 6 in

**Length**                                584.2 mm | 23 in

**Hole Size**                            3/4 in | 7/16 in

# ZB-H8

## Outline Drawing



## Material Specifications

**Material Type** Hot dip galvanized steel

## Mechanical Specifications

**Wind Rating** For Specifications, please contact [steelproducts@commscope.com](mailto:steelproducts@commscope.com) or call 800-255-1479

## Packaging and Weights

**Included** Z-bracket

**Packaging quantity** 1

**Weight, net** 2.4 kg | 5.291 lb

## Regulatory Compliance/Certifications

### Agency

CHINA-ROHS

ISO 9001:2015

REACH-SVHC

ROHS

### Classification

Below maximum concentration value

Designed, manufactured and/or distributed under this quality management system

Compliant as per SVHC revision on [www.commscope.com/ProductCompliance](http://www.commscope.com/ProductCompliance)

Compliant

# ZB-H8

---

UK-ROHS



Compliant

## \* Footnotes

### **Wind Rating**

BWS—Base Wind Speed; FBC—Florida Building Code