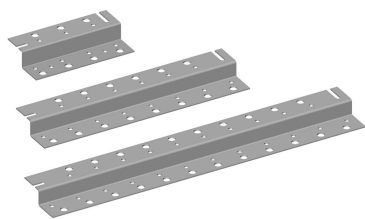


ZB-H4



Horizontal Z-bracket, 11 in, for seven coaxial cable runs

Product Classification

Portfolio	CommScope®
Product Type	Bracket kit
Ordering Note	CommScope® standard product (Global)

General Specifications

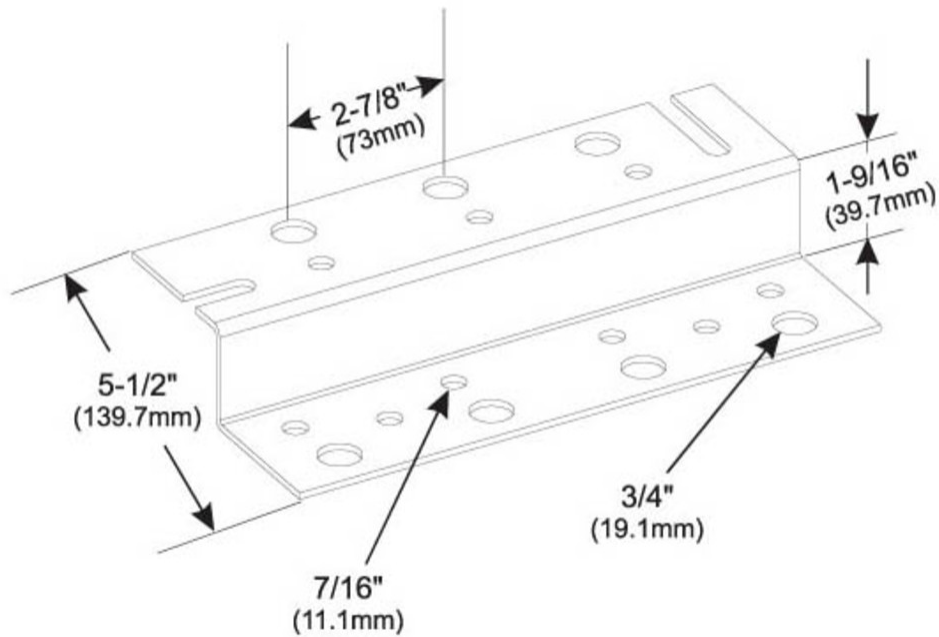
Cable Runs, quantity	7
Hole, quantity	7
Mounting	Walls

Dimensions

Height	50.8 mm 2 in
Width	152.4 mm 6 in
Length	279.4 mm 11 in
Hole Size	3/4 in 7/16 in

ZB-H4

Outline Drawing



Material Specifications

Material Type Hot dip galvanized steel

Mechanical Specifications

Wind Rating For Specifications, please contact steelproducts@commscope.com or call 800-255-1479

Packaging and Weights

Included Z-bracket

Packaging quantity 1

Weight, net 1.2 kg | 2.646 lb

Regulatory Compliance/Certifications

Agency	Classification
CHINA-ROHS	Above maximum concentration value
ISO 9001:2015	Designed, manufactured and/or distributed under this quality management system
ROHS	Compliant/Exempted
UK-ROHS	Compliant/Exempted

ZB-H4



* Footnotes

Wind Rating

BWS—Base Wind Speed; FBC—Florida Building Code