



FST Flexible Service Terminal, Branch, 1 HMFOC Input Plug (Black), 4 Single-fiber Branches (Full-size Adapters) and 2 Multi-fiber Branches (4-Fiber HMFOC/Jack), Input HMFOC/Plug (Female/No pin), 1.3 ft/0.4 m

- Flexible Service Terminals incorporate hardened connector technology that is designed to withstand the rugged outside plant environment
- Hardened connectors are factory-terminated and environmentally sealed for use in optical drop cable deployments
- Flexible structure plus very small branching unit, allowing installation in constrained spaces
- Output cables are staggered, optimizing distributed space consumption and minimizing cable kinking

Product Classification

Regional Availability	Asia Latin America North America
Product Type	Access terminal, with branch
Product Series	FST-B

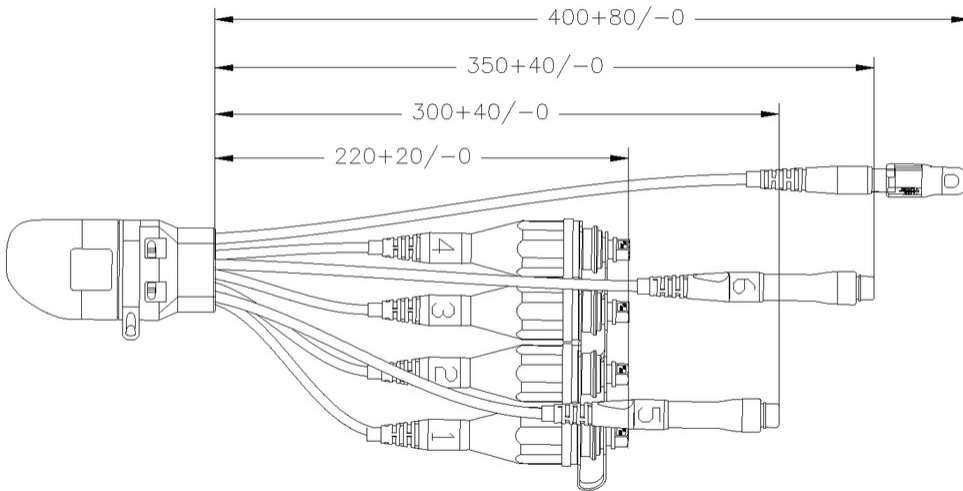
General Specifications

Cable Type	Dielectric - Flat - Loose Tube
Cable, quantity	6
Distribution Type	4 ports
Enclosure Color	Black
Mounting	Handhole Pedestal
Port Type	Hardened full-size SC/APC
Port, quantity	4
Splitter, quantity	0
Stub Type	Hardened multi-fiber (HMFOC) plug

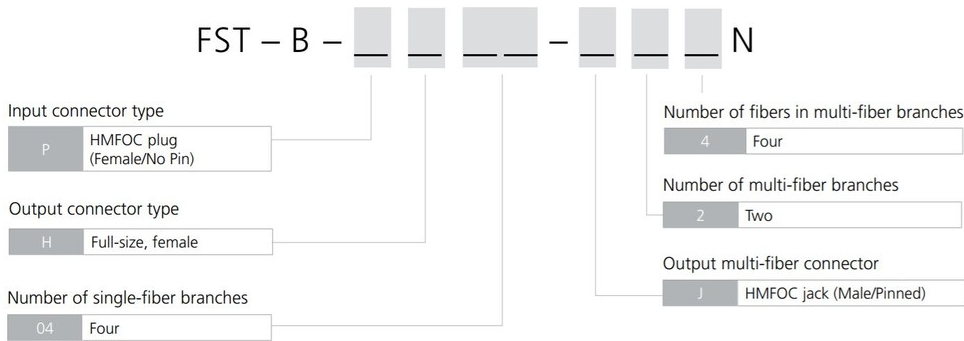
Dimensions

Cable Length, stub	1.5 ft (0.5 m)
Cable Outer Diameter	5.0 mm (0.20 in)

Dimension Drawing



Ordering Tree



Material Specifications

Enclosure Material Type Engineered plastic

Optical Specifications

Fiber Type	G.657.A1/A2
Operating Wavelength Range	1260 – 1635 nm
Attenuation Cable Coefficient, maximum	0.25 dB/km @ 1550 nm 0.35 dB/km @ 1310 nm
Attenuation Terminal Connectors, maximum	0.4 dB
Insertion Loss, Stub Connector, maximum	0.65 dB
Return Loss, Connector, minimum	65 dB

Environmental Specifications

Operating Temperature	-40 °C to +70 °C (-40 °F to +158 °F)
Relative Humidity	5%–100%, condensing
Environmental Space	Above ground Below ground Buried
Qualification Standards	IEC 60529, IP68 + 3 m waterhead Telcordia GR-3120-CORE Telcordia GR-3152-CORE
UV Resistance	UV stabilized

Packaging and Weights

Packaging quantity	1
Packaging Type	Box Carton
Weight, without cable	0.68 kg 1.499 lb

Regulatory Compliance/Certifications

Agency	Classification
CHINA-ROHS	Below maximum concentration value
ISO 9001:2015	Designed, manufactured and/or distributed under this quality management system
REACH-SVHC	Compliant as per SVHC revision on www.commscope.com/ProductCompliance
ROHS	Compliant
UK-ROHS	Compliant

