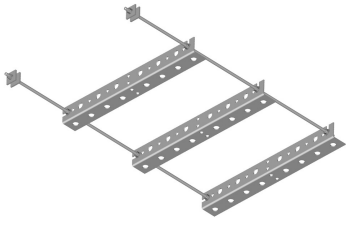


WB-TT12



Trapeze Kit, 12 in wide, three rungs

Product Classification

Product Type Trapeze kit

General Specifications

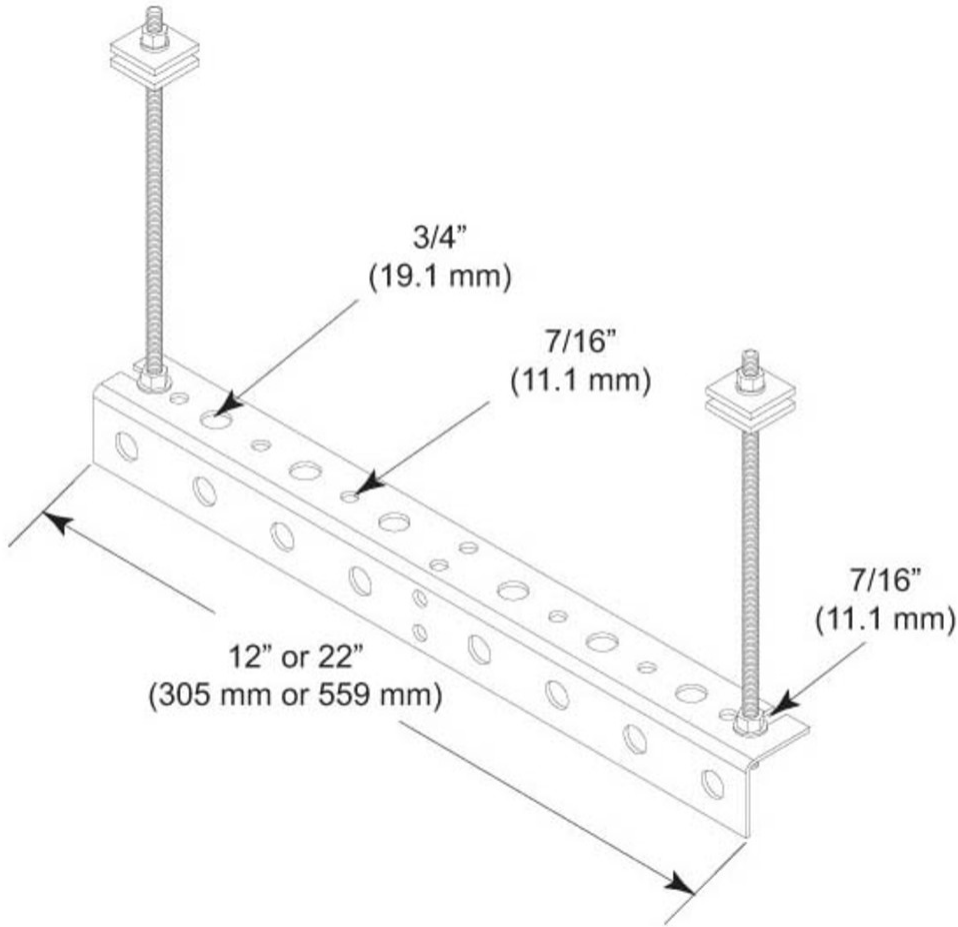
Application Waveguide bridge kit, 12 in
Cable Runs, quantity 12
Hole, quantity 12
Mounting Waveguide bridge channel
Rungs, quantity 3

Dimensions

Height 76.2 mm | 3 in
Width 304.8 mm | 12 in
Length 76.2 mm | 3 in
Hole Size 3/4 in | 7/16 in

WB-TT12

Outline Drawing



Material Specifications

Material Type Hot dip galvanized steel

Packaging and Weights

Included Angle brackets | Hardware | Threaded rod

Packaging quantity 1

Weight, net 3.3 kg | 7.275 lb

Regulatory Compliance/Certifications

Agency **Classification**

WB-TT12

CHINA-ROHS	Below maximum concentration value
ISO 9001:2015	Designed, manufactured and/or distributed under this quality management system
REACH-SVHC	Compliant as per SVHC revision on www.commscope.com/ProductCompliance
ROHS	Compliant

