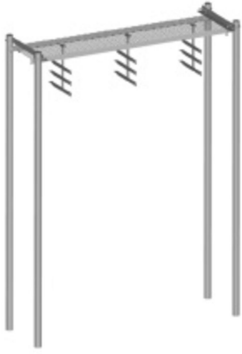


# WB-K410-B21

---



Safety Grated Waveguide Bridge Kit, 24 in x 10 ft, with four 21 ft direct burial posts

## Product Classification

**Product Type** Waveguide bridge kit

## General Specifications

**Application** Direct burial

**Cable Runs, quantity** 24

**Pipe, quantity** 4

## Dimensions

**Height** 6,400.8 mm | 252 in

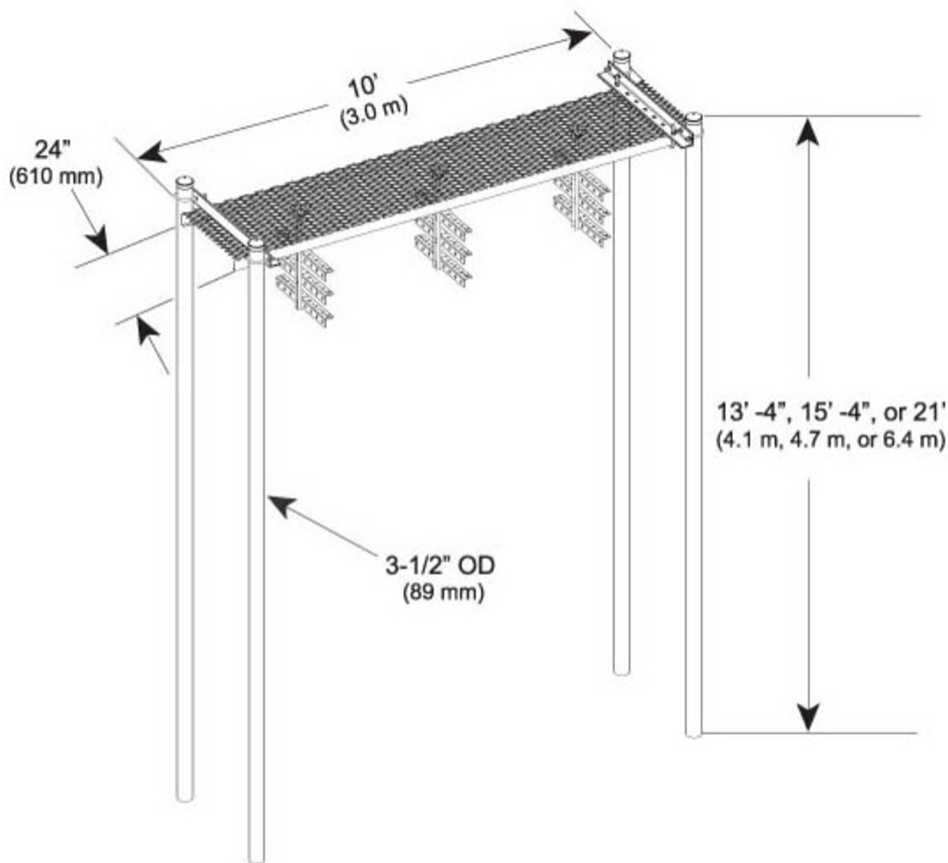
**Width** 609.6 mm | 24 in

**Length** 3048 mm | 120 in

**Pipe Length** 6,400.8 mm | 252 in

# WB-K410-B21

## Outline Drawing



## Material Specifications

**Material Type** Hot dip galvanized steel

## Packaging and Weights

**Included** Caps | Channel | Hardware | Posts | Support brackets | Trapeze

**Packaging quantity** 1

**Weight, net** 270.4 kg | 596.129 lb

## Regulatory Compliance/Certifications

### Agency

CHINA-ROHS

ISO 9001:2015

### Classification

Below maximum concentration value

Designed, manufactured and/or distributed under this quality management system

# WB-K410-B21

---

REACH-SVHC	Compliant as per SVHC revision on <a href="http://www.commscope.com/ProductCompliance">www.commscope.com/ProductCompliance</a>
ROHS	Compliant
UK-ROHS	Compliant



## Included Products

MT-547	- Plain End Pipe, 3-1/2 in OD x 21 ft x .165" A500C 46Ksi
WB-CS24-3	- Safety Grated Channel Support, 24 in wide for 3-1/2 in OD pipe
WB-CY210	- Safety Grated Waveguide Bridge Channel, 24 in x 10 ft
WB-T24-3	- Trapeze Kit, triple tee, 24 in wide, three rungs