

WB-K110-S



Safety Grated Waveguide Bridge Kit, 12 in x 10 ft, with two 10 ft 6 in base shoe posts

Product Classification

Product Type Waveguide bridge kit

General Specifications

Application Base shoe

Cable Runs, quantity 12

Pipe, quantity 2

Dimensions

Height 3,200.4 mm | 126 in

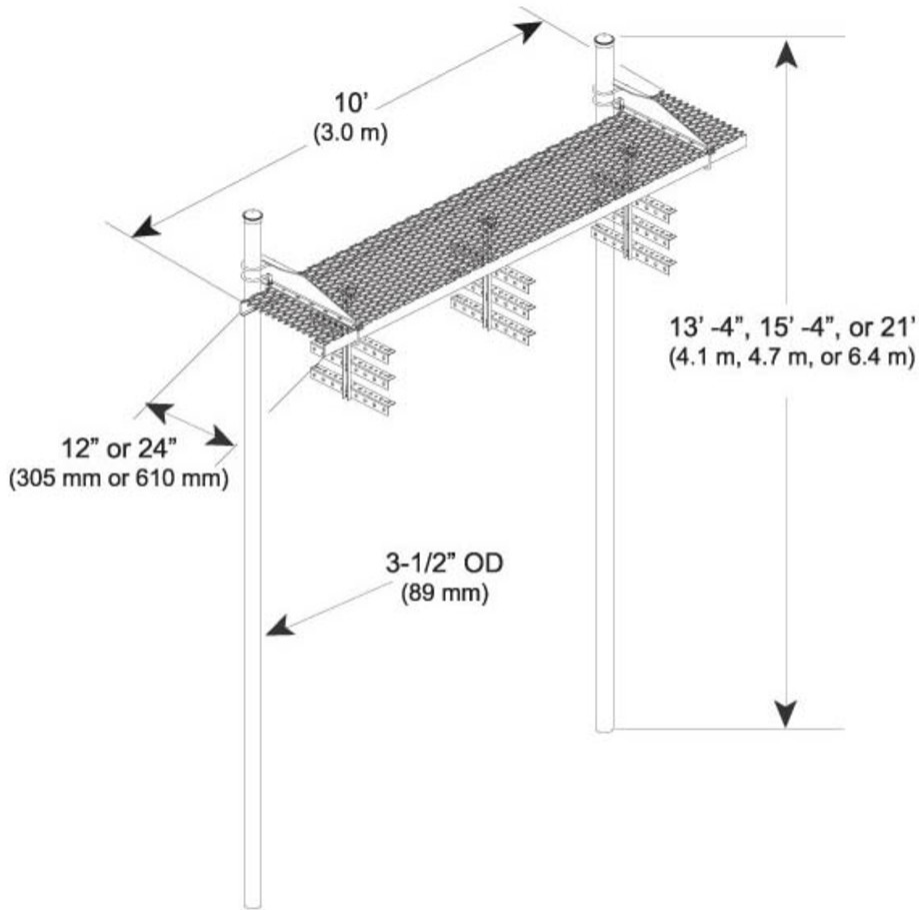
Width 304.8 mm | 12 in

Length 3048 mm | 120 in

Pipe Length 3,200.4 mm | 126 in

WB-K110-S

Outline Drawing



Material Specifications

Material Type Hot dip galvanized steel

Packaging and Weights

Included Caps | Channel | Hardware | Posts | Support brackets | Trapeze

Packaging quantity 1

Weight, net 139.7 kg | 307.985 lb

Regulatory Compliance/Certifications

Agency **Classification**

WB-K110-S

CHINA-ROHS	Above maximum concentration value
ISO 9001:2015	Designed, manufactured and/or distributed under this quality management system
ROHS	Compliant/Exempted
UK-ROHS	Compliant/Exempted



Included Products

- MF-126 – Base Shoe Pipe Column, 10 ft 6 in
- WB-CY110 – Safety Grated Waveguide Bridge Channel, 12 in x 10 ft
- WB-LB12-3 – Waveguide Bridge Support Bracket, 12 in wide for 3-1/2 in OD legs
- WB-T12-3 – Trapeze Kit, triple tee, 12 in wide, three rungs