

# WB-K110-S

---



Safety Grated Waveguide Bridge Kit, 12 in x 10 ft, with two 10 ft 6 in base shoe posts

## Product Classification

**Product Type** Waveguide bridge kit

## General Specifications

**Application** Base shoe

**Cable Runs, quantity** 12

**Pipe, quantity** 2

## Dimensions

**Height** 3,200.4 mm | 126 in

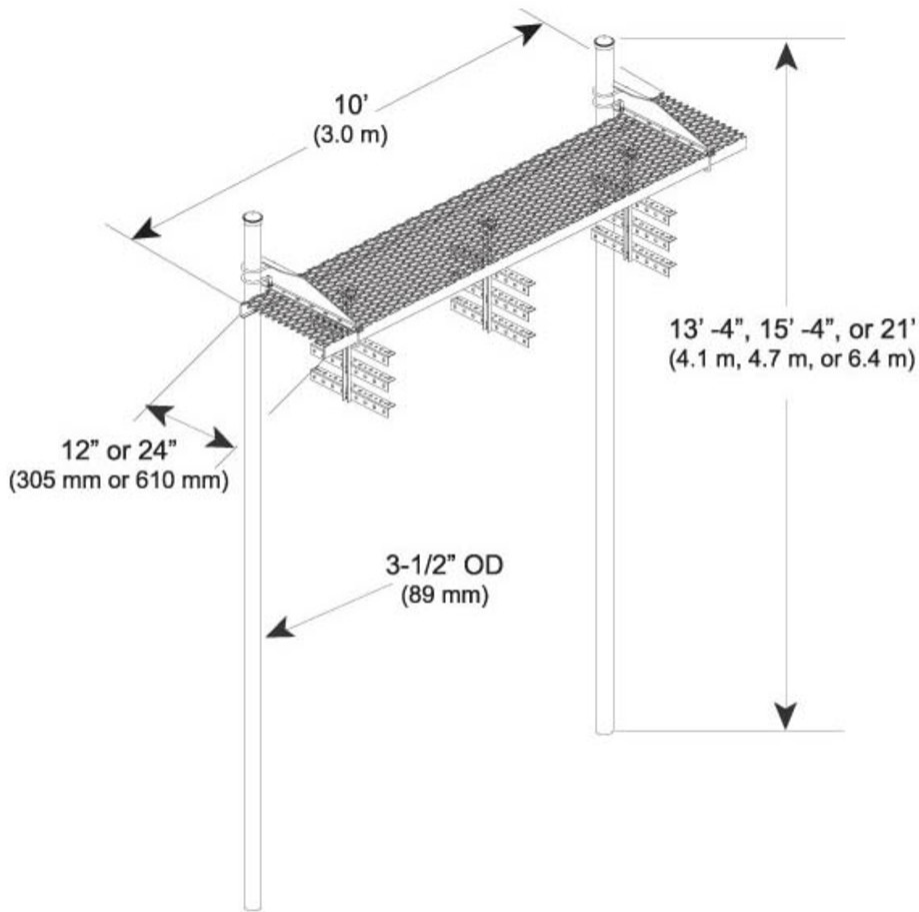
**Width** 304.8 mm | 12 in

**Length** 3048 mm | 120 in

**Pipe Length** 3,200.4 mm | 126 in

# WB-K110-S

## Outline Drawing



## Material Specifications

**Material Type** Hot dip galvanized steel

## Packaging and Weights

**Included** Caps | Channel | Hardware | Posts | Support brackets | Trapeze

**Packaging quantity** 1

**Weight, net** 139.7 kg | 307.985 lb

## Regulatory Compliance/Certifications

**Agency** **Classification**

# WB-K110-S

---

CHINA-ROHS	Above maximum concentration value
ISO 9001:2015	Designed, manufactured and/or distributed under this quality management system
ROHS	Compliant/Exempted
UK-ROHS	Compliant/Exempted

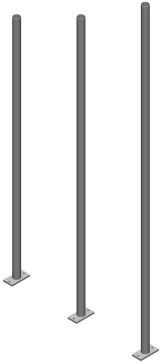


## Included Products

- MF-126 – Base Shoe Pipe Column, 10 ft 6 in
- WB-CY110 – Safety Grated Waveguide Bridge Channel, 12 in x 10 ft
- WB-LB12-3 – Waveguide Bridge Support Bracket, 12 in wide for 3-1/2 in OD legs
- WB-T12-3 – Trapeze Kit, triple tee, 12 in wide, three rungs

# MF-126

---



Base Shoe Pipe Column, 10 ft 6 in

## Product Classification

**Product Type** Pipe column

## General Specifications

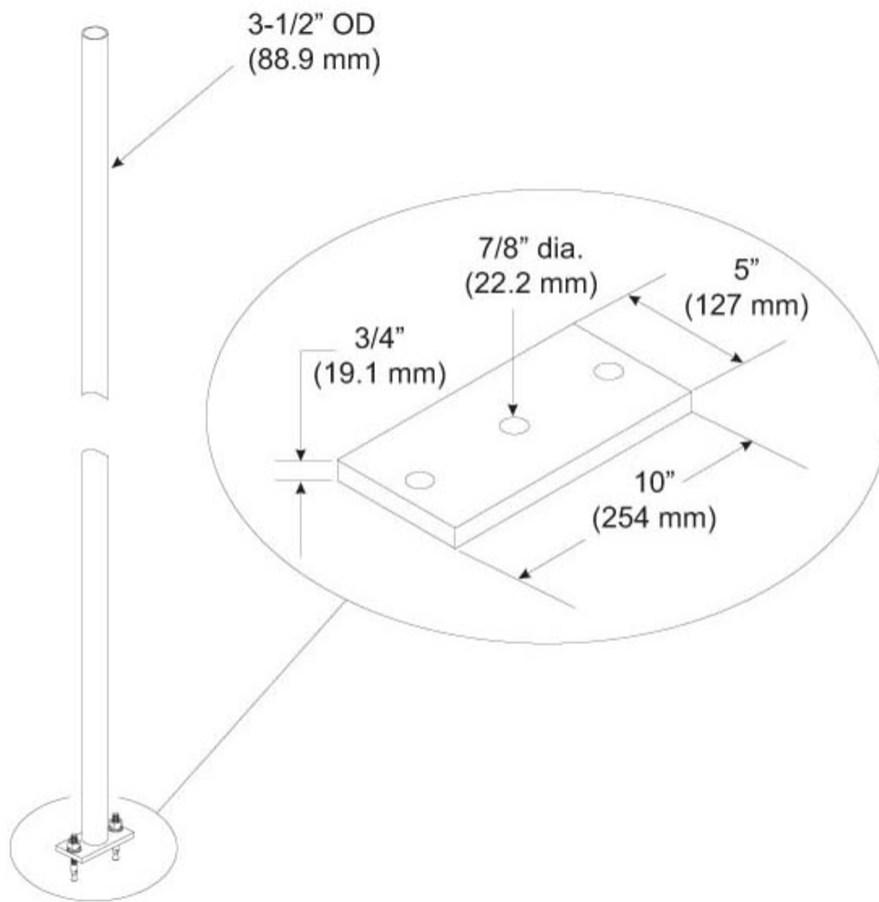
**Application** Base shoe  
**Mounting** Waveguide bridge support bracket  
**Pipe, quantity** 1

## Dimensions

**Height** 3,200.4 mm | 126 in  
**Width** 127 mm | 5 in  
**Length** 254 mm | 10 in  
**Pipe Length** 3,200.4 mm | 126 in  
**Pipe Outer Diameter** 88.9 mm | 3.5 in

# MF-126

## Outline Drawing



## Material Specifications

**Material Type** Hot dip galvanized steel

## Packaging and Weights

**Included** Anchors | Pipe

**Packaging quantity** 1

**Weight, net** 41.7 kg | 91.933 lb

## Regulatory Compliance/Certifications

**Agency** **Classification**

# MF-126

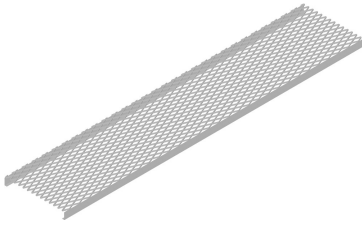
---

CHINA-ROHS	Above maximum concentration value
ISO 9001:2015	Designed, manufactured and/or distributed under this quality management system
ROHS	Compliant/Exempted
UK-ROHS	Compliant/Exempted



# WB-CY110

---



Safety Grated Waveguide Bridge Channel, 12 in x 10 ft

## Product Classification

**Product Type** Waveguide bridge channel

## General Specifications

**Application** Waveguide bridge kit, 12 in

## Dimensions

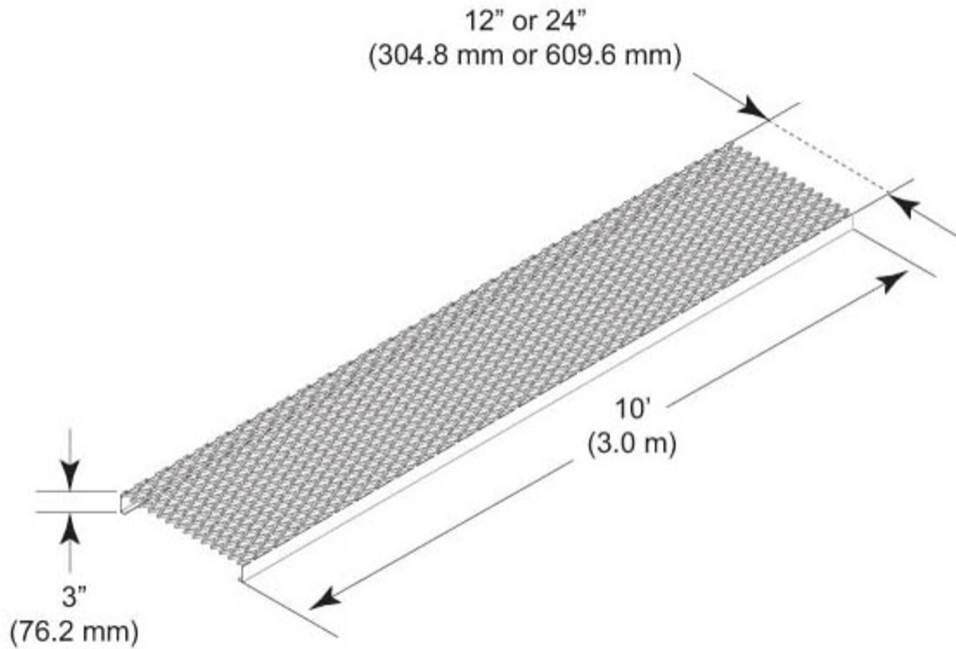
**Height** 76.2 mm | 3 in

**Width** 304.8 mm | 12 in

**Length** 3048 mm | 120 in

# WB-CY110

## Outline Drawing



## Material Specifications

**Material Type** Hot dip galvanized steel

## Packaging and Weights

**Included** Bridge channel

**Packaging quantity** 1

**Weight, net** 31.8 kg | 70.107 lb

## Regulatory Compliance/Certifications

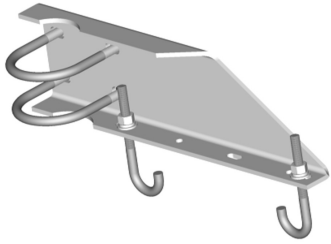
Agency	Classification
CHINA-ROHS	Above maximum concentration value
ISO 9001:2015	Designed, manufactured and/or distributed under this quality management system
ROHS	Compliant/Exempted
UK-ROHS	Compliant/Exempted





# WB-LB12-3

---



Waveguide Bridge Support Bracket, 12 in wide for 3-1/2 in OD legs

## Product Classification

**Product Type** Support bracket

## General Specifications

**Application** Waveguide bridge kit, 12 in

**Cable Runs, quantity** 12

**Mounting** Pipe, 88.9 mm (3-1/2 in) OD

## Dimensions

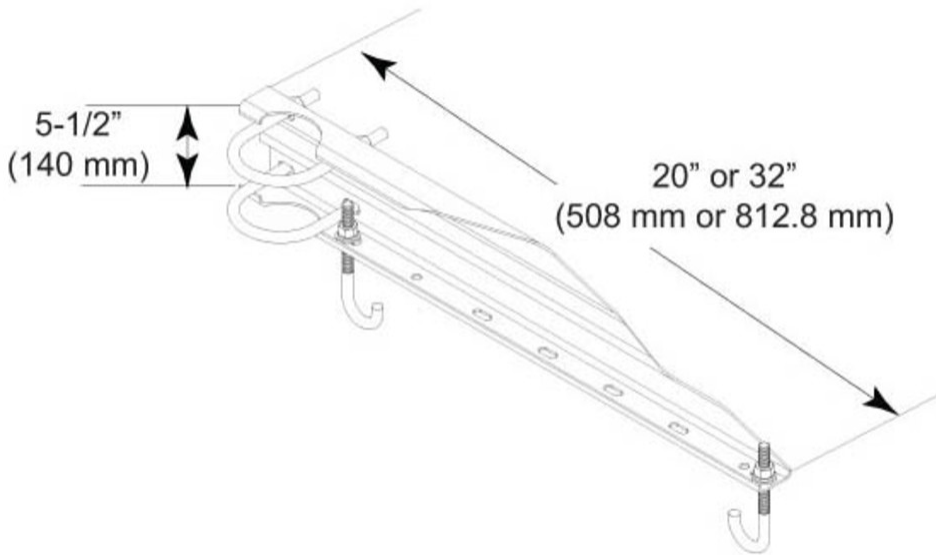
**Height** 50.8 mm | 2 in

**Width** 508 mm | 20 in

**Length** 152.4 mm | 6 in

# WB-LB12-3

## Outline Drawing



## Material Specifications

**Material Type** Hot dip galvanized steel

## Packaging and Weights

**Included** Brackets | Hardware

**Packaging quantity** 1

**Weight, net** 5.4 kg | 11.905 lb

## Regulatory Compliance/Certifications

### Agency

CHINA-ROHS

ISO 9001:2015

REACH-SVHC

ROHS

UK-ROHS

### Classification

Below maximum concentration value

Designed, manufactured and/or distributed under this quality management system

Compliant as per SVHC revision on [www.commscope.com/ProductCompliance](http://www.commscope.com/ProductCompliance)

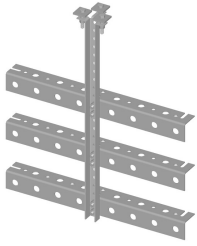
Compliant

Compliant



# WB-T12-3

---



Trapeze Kit, triple tee, 12 in wide, three rungs

## Product Classification

**Product Type** Trapeze kit

## General Specifications

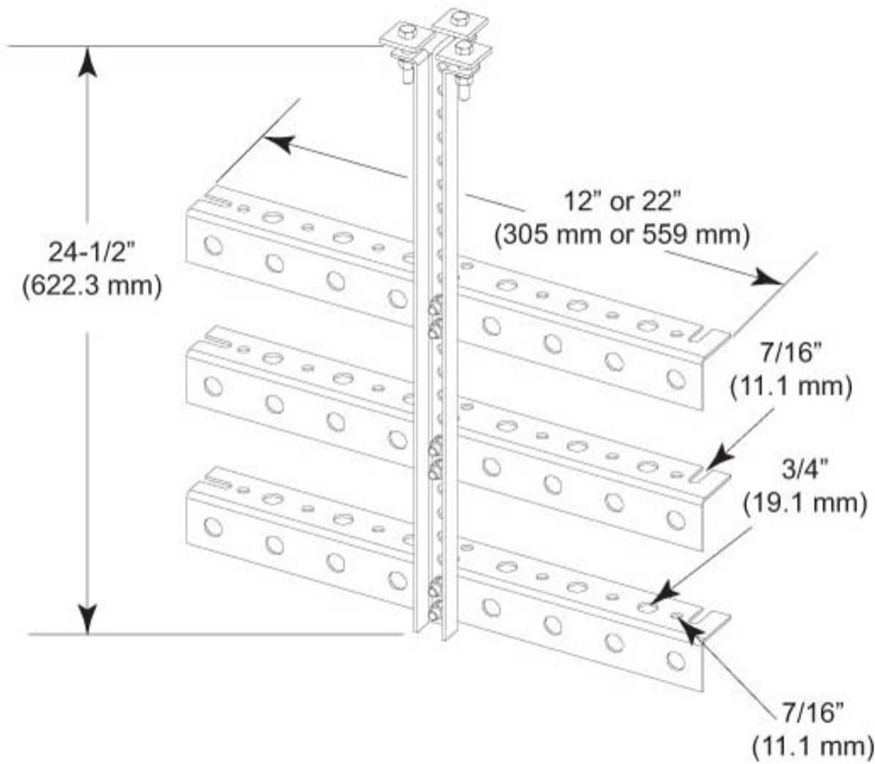
**Application** Waveguide bridge kit, 12 in  
**Cable Runs, quantity** 12  
**Hole, quantity** 12  
**Mounting** Waveguide bridge channel  
**Rungs, quantity** 3

## Dimensions

**Height** 76.2 mm | 3 in  
**Width** 304.8 mm | 12 in  
**Length** 635 mm | 25 in  
**Hole Size** 3/4 in | 7/16 in

# WB-T12-3

## Outline Drawing



## Material Specifications

**Material Type** Hot dip galvanized steel

## Packaging and Weights

**Included** Angle brackets | Mounting hardware

**Packaging quantity** 1

**Weight, net** 4.1 kg | 9.039 lb

## Regulatory Compliance/Certifications

Agency	Classification
ISO 9001:2015	Designed, manufactured and/or distributed under this quality management system
REACH-SVHC	Compliant as per SVHC revision on <a href="https://www.commscope.com/ProductCompliance">www.commscope.com/ProductCompliance</a>
ROHS	Compliant
UK-ROHS	Compliant

