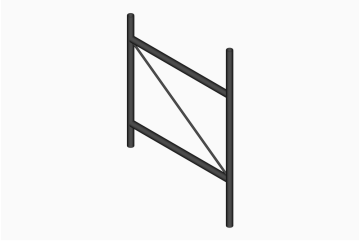


P-200



Panel Antenna Stand-Off Bracket, 24 in

Product Classification

Portfolio	CommScope®
Product Type	Stand-off mount
Ordering Note	CommScope® standard product (Global)

General Specifications

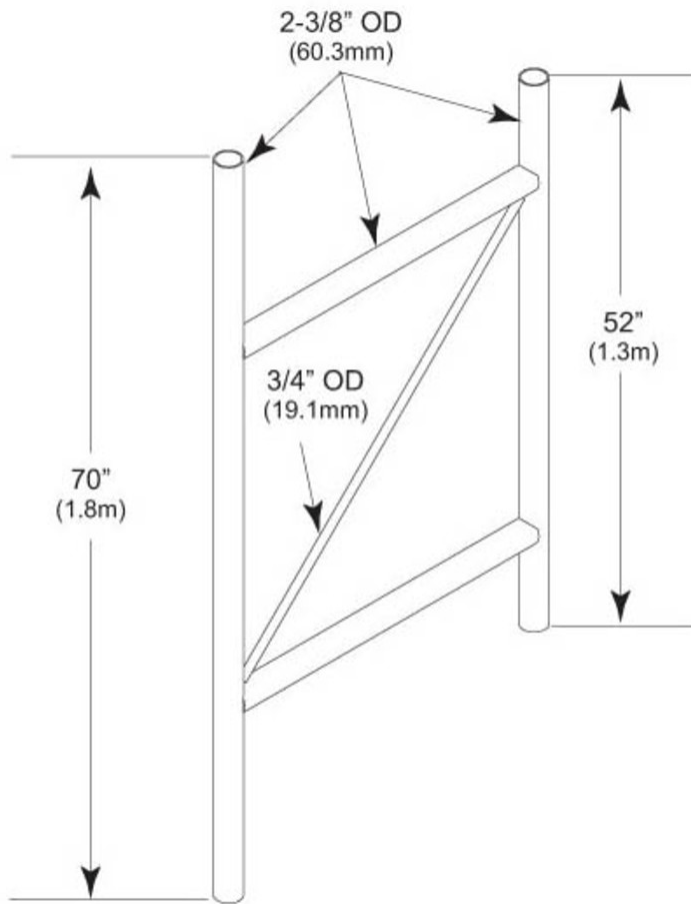
Note	One 72 in x 8 in panel antenna per sector
-------------	---

Dimensions

Height	1778 mm 70 in
Width	76.2 mm 3 in
Length	609.6 mm 24 in
Stand-off Distance	609.6 mm 24 in

P-200

Outline Drawing



Material Specifications

Material Type Hot dip galvanized steel

Mechanical Specifications

Wind Rating 120 mph (BWS) at 150 ft AGL

Wind Rating Test Method TIA/EIA-222

Packaging and Weights

Included Stand-off

Packaging quantity 1

P-200

Weight, net

24.3 kg | 53.572 lb

Regulatory Compliance/Certifications

Agency

ISO 9001:2015



Classification

Designed, manufactured and/or distributed under this quality management system

* Footnotes

Wind Rating

BWS—Base Wind Speed; FBC—Florida Building Code