

## GPS Antenna Mount

### Product Classification

**Product Type** Wall mount kit

### General Specifications

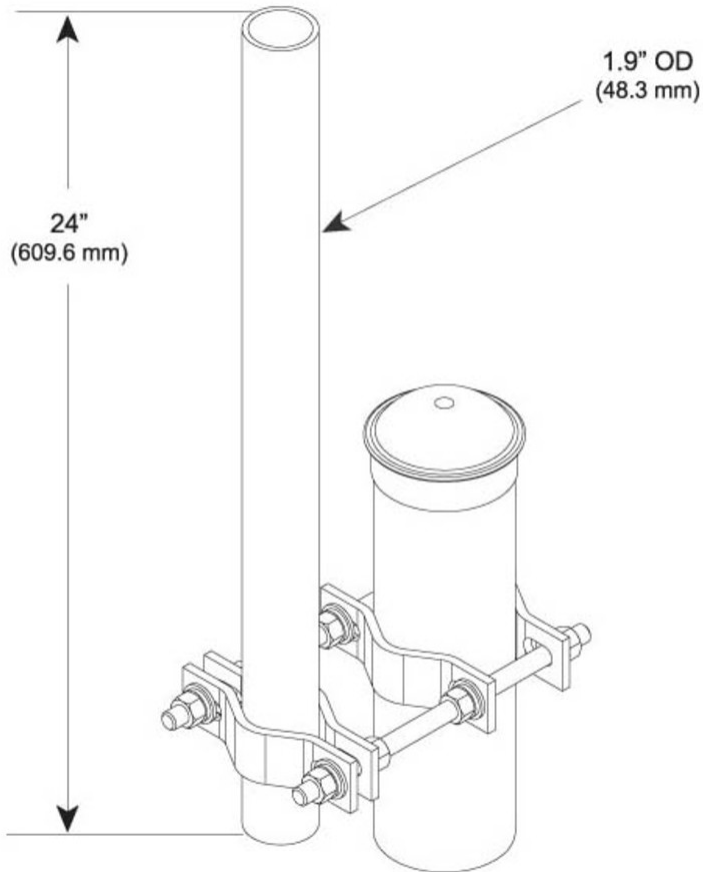
**Application** Pipe-to-pipe  
**Mounting** Pipe, 38.1–88.9 mm (1-1/2 in to 3-1/2 in) OD  
**Pipe, quantity** 1

### Dimensions

**Height** 101.6 mm | 4 in  
**Width** 101.6 mm | 4 in  
**Length** 609.6 mm | 24 in  
**Pipe Length** 609.6 mm | 24 in  
**Pipe Outer Diameter** 48.26 mm | 1.9 in

# GP-S24

## Outline Drawing



## Material Specifications

**Material Type** Hot dip galvanized steel

## Packaging and Weights

**Included** Clamp halves | Hardware | Pipe

**Packaging quantity** 1

**Weight, net** 4.5 kg | 9.921 lb

## Regulatory Compliance/Certifications

**Agency** **Classification**

# GP-S24

---

ISO 9001:2015

Designed, manufactured and/or distributed under this quality management system

