

F1PNM-HF



Type N Male for 1/4 in FSJ1-50A cable

Product Classification

| | |
|-----------------------|----------------------------------|
| Product Type | Wireless and radiating connector |
| Product Brand | HELIAX® |
| Product Series | FSJ1-50A |

General Specifications

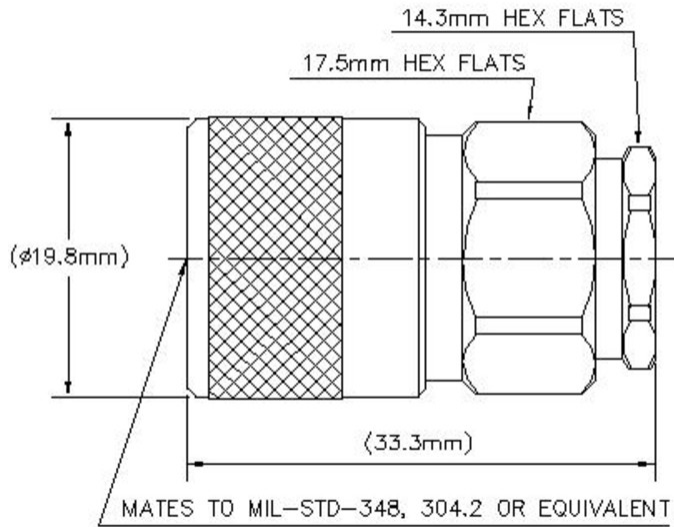
| | |
|--|-----------|
| Body Style | Straight |
| Cable Family | FSJ1-50A |
| Inner Contact Attachment Method | Solder |
| Inner Contact Plating | Gold |
| Interface | N Male |
| Mounting Angle | Straight |
| Outer Contact Attachment Method | Tab-flare |
| Outer Contact Plating | Silver |
| Pressurizable | No |

Dimensions

| | |
|---------------------|--------------------|
| Height | 20.32 mm 0.8 in |
| Width | 20.32 mm 0.8 in |
| Length | 33.27 mm 1.31 in |
| Diameter | 20.32 mm 0.8 in |
| Nominal Size | 1/4 in |

Outline Drawing

F1PNM-HF



Electrical Specifications

| | |
|---|------------------|
| Average Power at Frequency | 0.4 kW @ 900 MHz |
| Cable Impedance | 50 ohm |
| Connector Impedance | 50 ohm |
| dc Test Voltage | 1600 V |
| Inner Contact Resistance, maximum | 1 mOhm |
| Insulation Resistance, minimum | 5000 MOhm |
| Operating Frequency Band | 0 – 18000 MHz |
| Outer Contact Resistance, maximum | 0.25 mOhm |
| Peak Power, maximum | 6.4 kW |
| RF Operating Voltage, maximum (vrms) | 565 V |
| Shielding Effectiveness | -110 dB |

VSWR/Return Loss

| Frequency Band | VSWR | Return Loss (dB) |
|-----------------|-------|------------------|
| 45–4100 MHz | 1.046 | 32.96 |
| 4100–6200 MHz | 1.083 | 27.99 |
| 6200–11000 MHz | 1.173 | 21.98 |
| 11000–18000 MHz | 1.222 | 20.01 |

F1PNM-HF

Mechanical Specifications

| | |
|--|------------------------|
| Connector Retention Tensile Force | 449.27 N 101 lbf |
| Coupling Nut Proof Torque | 1.7 N-m 15.046 in lb |
| Coupling Nut Proof Torque Method | IEC 61169-16:9.3.11 |
| Coupling Nut Retention Force | 445 N 100.04 lbf |
| Coupling Nut Retention Force Method | IEC 61169-16:9.3.11 |
| Insertion Force | 124.55 N 28 lbf |
| Insertion Force Method | IEC 61169-16:9.3.5 |
| Interface Durability | 500 cycles |
| Interface Durability Method | IEC 61169-4:17 |
| Mechanical Shock Test Method | IEC 60068-2-27 |

Environmental Specifications

| | |
|---|---------------------------------------|
| Operating Temperature | -55 °C to +85 °C (-67 °F to +185 °F) |
| Storage Temperature | -65 °C to +125 °C (-85 °F to +257 °F) |
| Attenuation, Ambient Temperature | 20 °C 68 °F |
| Average Power, Ambient Temperature | 40 °C 104 °F |
| Average Power, Inner Conductor Temperature | 100 °C 212 °F |
| Corrosion Test Method | IEC 60068-2-11 |
| Immersion Depth | 1 m |
| Immersion Test Mating | Mated |
| Immersion Test Method | IEC 60529:2001, IP68 |
| Moisture Resistance Test Method | IEC 60068-2-3 |
| Thermal Shock Test Method | IEC 60068-2-14 |
| Vibration Test Method | IEC 60068-2-6 |

Packaging and Weights

| | |
|--------------------|--------------------|
| Weight, net | 49.18 g 0.108 lb |
|--------------------|--------------------|

Regulatory Compliance/Certifications

| Agency | Classification |
|---------------|--|
| CHINA-ROHS | Below maximum concentration value |
| ISO 9001:2015 | Designed, manufactured and/or distributed under this quality management system |

F1PNM-HF

| | |
|------------|--|
| REACH-SVHC | Compliant as per SVHC revision on www.commscope.com/ProductCompliance |
| ROHS | Compliant |
| UK-ROHS | Compliant/Exempted |



* Footnotes

| | |
|------------------------|---|
| Immersion Depth | Immersion at specified depth for 24 hours |
|------------------------|---|