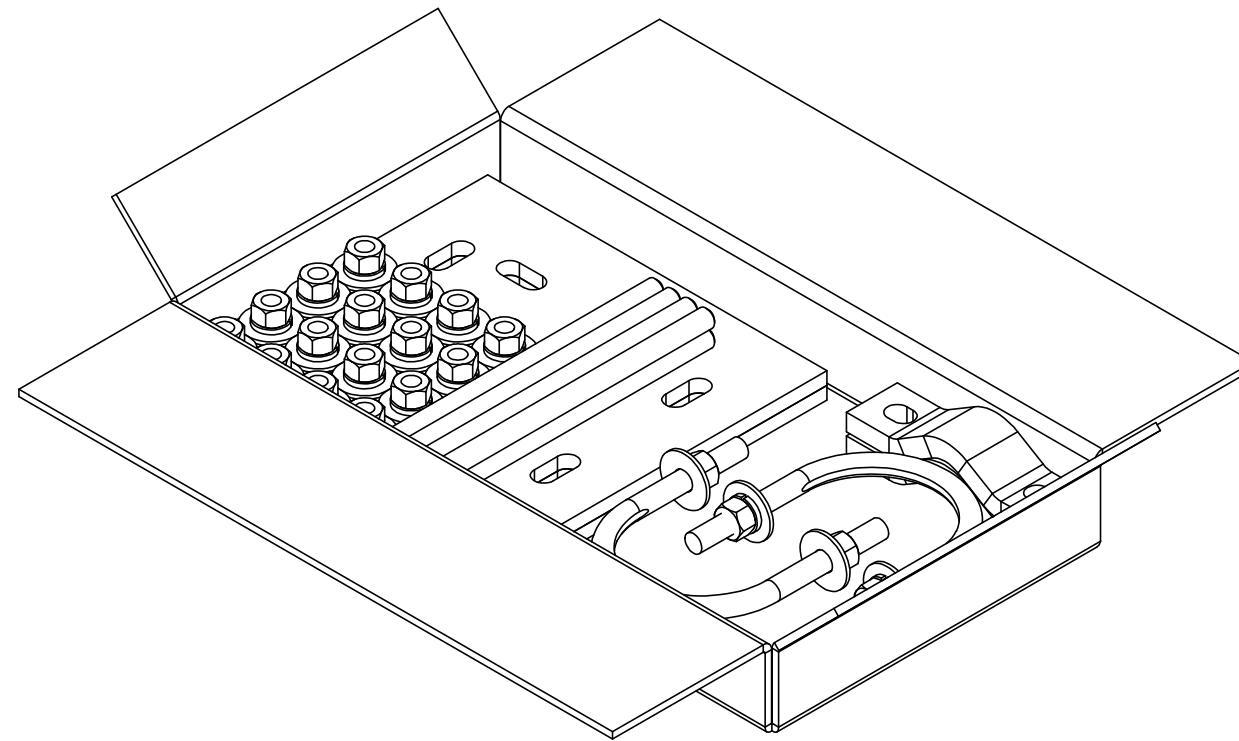


ITEM	PART NO.	DESCRIPTION	QTY.	WEIGHT	NOTE NO.
1	XP3030.01	CROSSOVER PLATE ϕ 3-1/2" O.D. TO ϕ 3-1/2" O.D.	2	9.11 LBS	
2	SCP10	SMALL DISH CLAMP HALF	2	1.20 LBS	
3	GUB-4355	1/2" X 3-5/8" X 5" GALV U-BOLT	2	0.71 LBS	1
4	MT-379-8	1/2" X 8" GALV THREADED ROD	8	0.44 LBS	1
5	GN-04	1/2" GALV HEX NUT	16	0.04 LBS	1
6	GWL-04	1/2" GALV LOCK WASHER	16	0.01 LBS	1
7	GWF-04	1/2" GALV FLAT WASHER	16	0.03 LBS	1
8	BX60	Box, 17-1/2" X 9-1/2" X 2"	1	1.86 LBS	
9	DOCUMENT RECORD	INSERT DRAWING XP-197-35US INTO BOX	1	-	1

REVISIONS				
REV.	ECN	DESCRIPTION	BY	DATE
A	8000008669	INITIAL RELEASE	ADW	03/26/15



NOTES:


1. INSERT LOOSE HARDWARE INTO POLYBAGS AS REQUIRED.
2. CUSTOMER ASSEMBLY SHEET 2.
3. WILL FIT 3-1/2" ROUND OR UP TO 4" SQUARE TUBE.

These drawings and specifications are the proprietary property of CommScope Inc. and may be used only for the specific purpose authorized in writing by CommScope Inc.

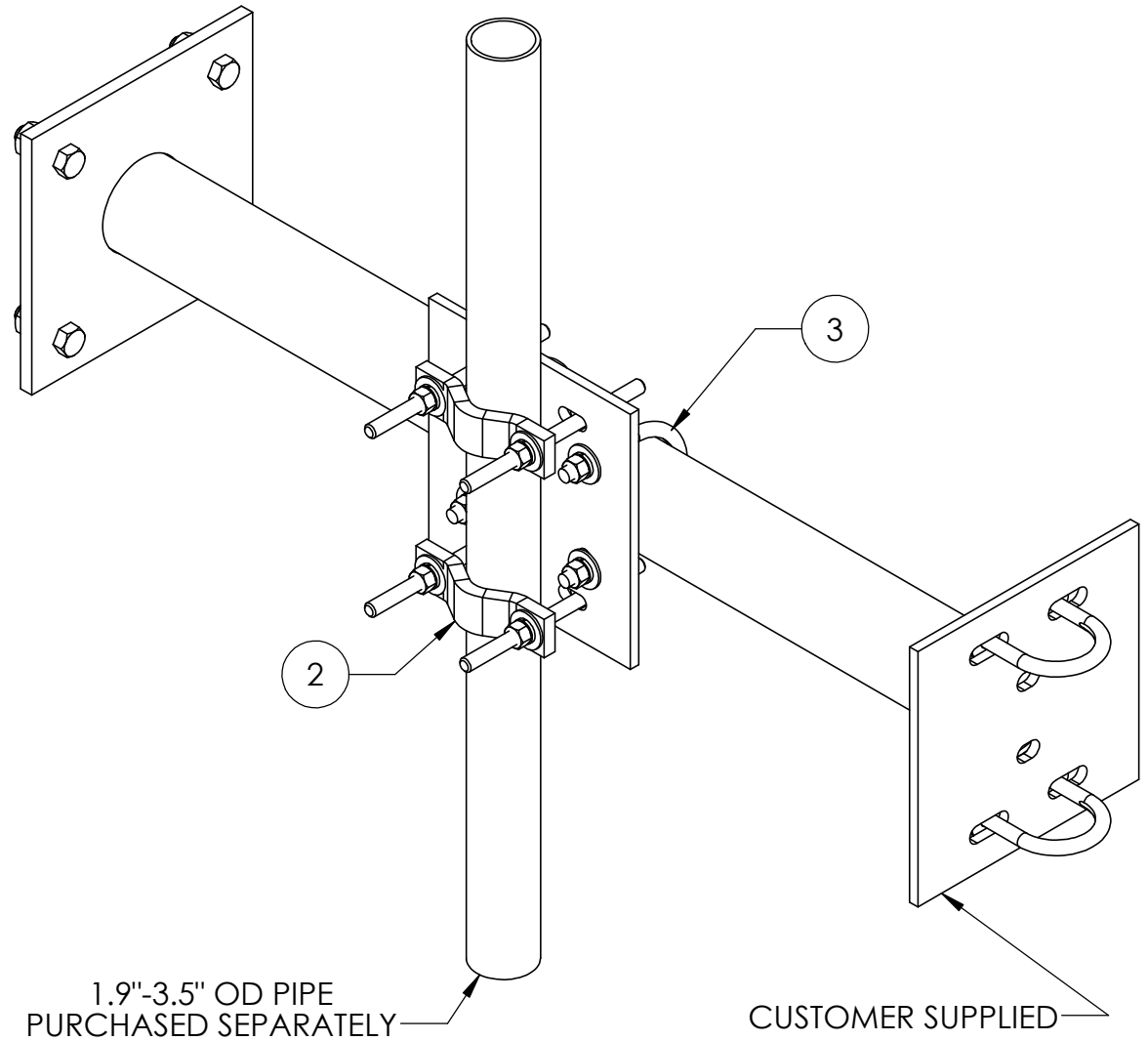
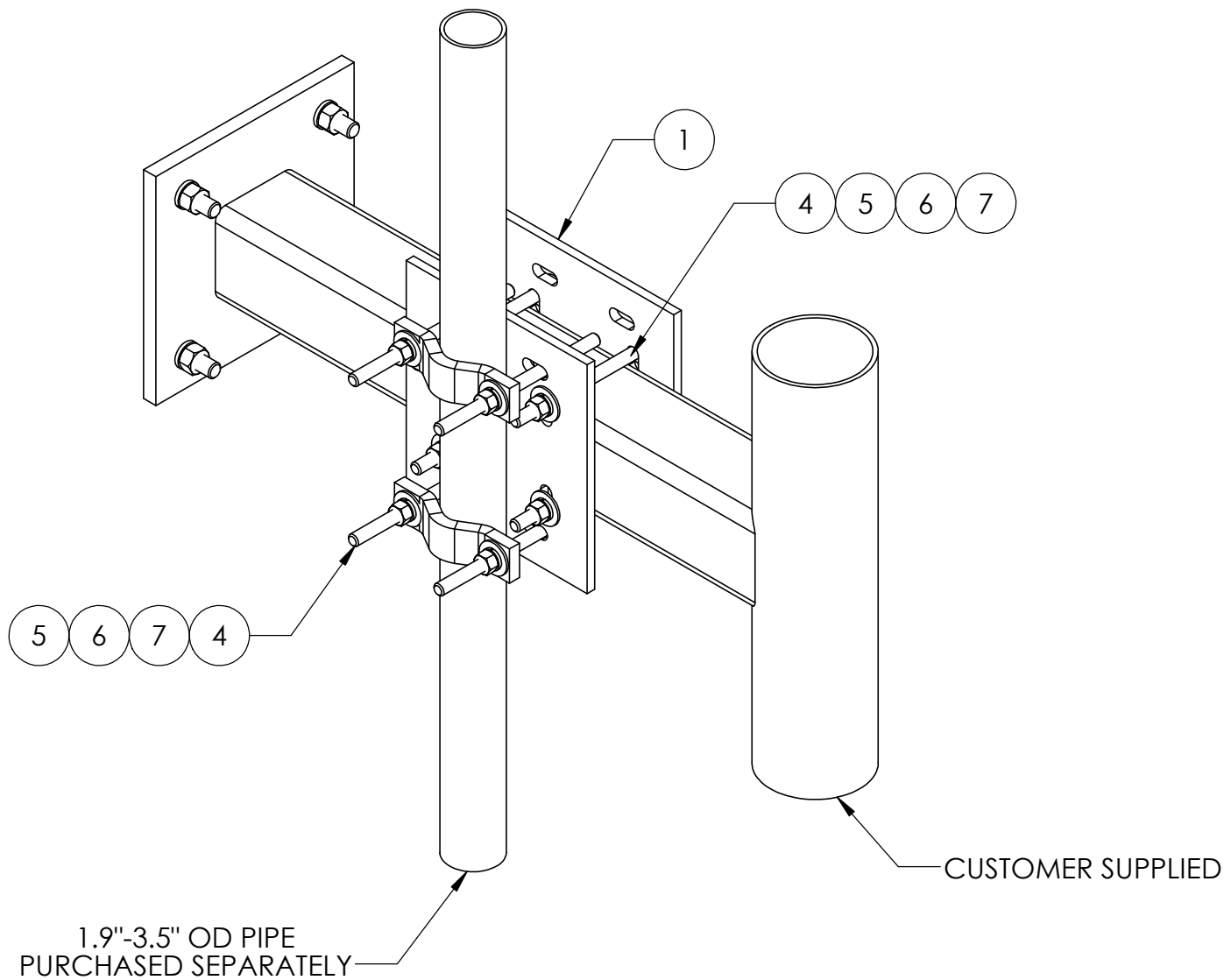
ALL DIMENSIONS ARE IN INCHES U.O.S.
TOLERANCES UNLESS OTHERWISE SPECIFIED:
.X = \pm .06 ANGLES \pm 2°
.XX = \pm .03 FRACTIONS \pm 1/32
.XXX = \pm .010

REMOVE BURRS AND BREAK EDGES .005

DO NOT SCALE THIS PRINT

DRAWN BY: ADW	SHEET: 1 of 2	PART NUMBER: XP-197-35US
CHECKED BY: TP	SCALE: NTS	DESCRIPTION: RRH STANDOFF MOUNT UNIVERSAL SINGLE
DATE: 03/26/15	MATERIAL: A36, A500	DRAWING TYPE: ASSEMBLY DRAWING
REVISION: A	FINISH: GALV A123	 Hickory, NC 28602 U.S.A.
	WEIGHT: 29.23 LBS	

ITEM	PART NO.	DESCRIPTION	QTY.	WEIGHT	NOTE NO.
1	XP3030.01	CROSSOVER PLATE ϕ 3-1/2" O.D. TO ϕ 3-1/2" O.D.	2	9.11 LBS	
2	SCP10	SMALL DISH CLAMP HALF	2	1.20 LBS	
3	GUB-4355	1/2" X 3-5/8" X 5" GALV U-BOLT	2	0.71 LBS	
4	MT-379-8	1/2" X 8" GALV THREADED ROD	8	0.44 LBS	
5	GN-04	1/2" GALV HEX NUT	16	0.04 LBS	
6	GWL-04	1/2" GALV LOCK WASHER	16	0.01 LBS	
7	GWF-04	1/2" GALV FLAT WASHER	16	0.03 LBS	



These drawings and specifications are the proprietary property of CommScope Inc. and may be used only for the specific purpose authorized in writing by CommScope Inc.

ALL DIMENSIONS ARE IN INCHES U.O.S.
TOLERANCES UNLESS OTHERWISE SPECIFIED:
.X = \pm .06 ANGLES \pm 2°
.XX = \pm .03 FRACTIONS \pm 1/32
.XXX = \pm .010

REMOVE BURRS AND BREAK EDGES .005

DO NOT SCALE THIS PRINT

DRAWN BY: ADW	SHEET: 2 of 2
CHECKED BY: TP	SCALE: NTS
DATE: 03/26/15	MATERIAL: A36, A500
REVISION: A	FINISH: GALV A123
	WEIGHT: 27.36 LBS

PART NUMBER: XP-197-35US
DESCRIPTION: RRH STANDOFF MOUNT UNIVERSAL SINGLE
DRAWING TYPE: ASSEMBLY DRAWING
COMMSCOPE [®] Hickory, NC 28602 U.S.A.