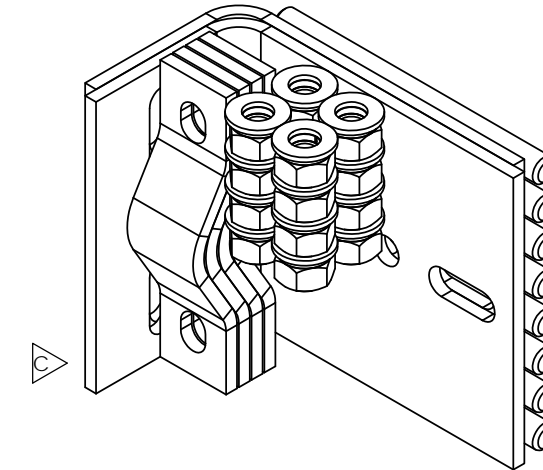


NOTES: 1.0 PUT ALL LOOSE HARDWARE IN POLYBAGS AS NEEDED.
2.0 PLACE DRAWING INTO CRATE.

REVISIONS				
REV.	ECN	DESCRIPTION	BY	DATE
A		INITIAL RELEASE	MSM	12/17/09
B		UPDATE HARDWARE	MSM	02/15/10
C	8000014164	CHG BOM IN DRAWING: ADD PACK	CEB	5/24/2016



REFERENCE: FOR BOM ONLY

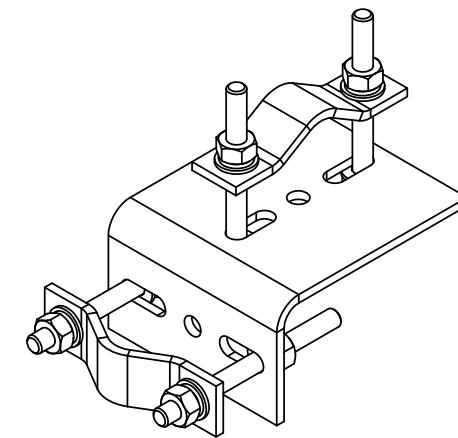
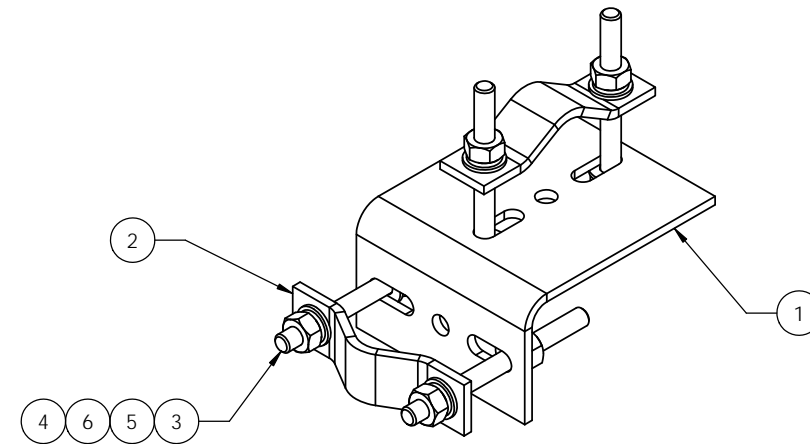
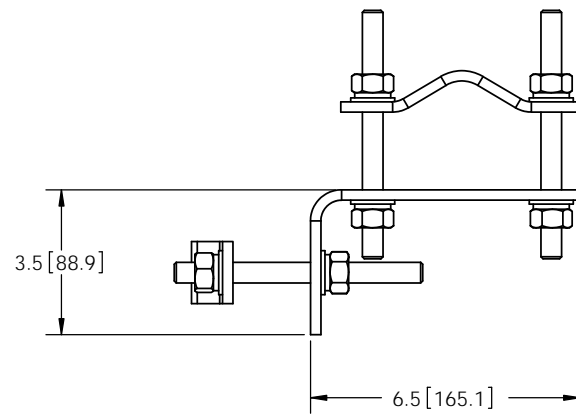
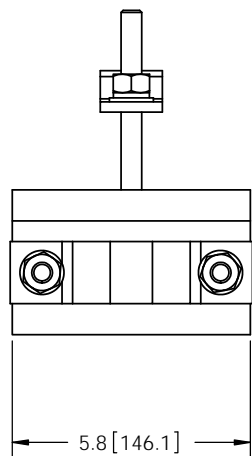
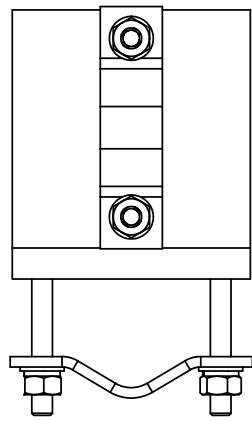
ITEM	PART NO.	DESCRIPTION	QTY.	WEIGHT	NOTE NO.
1	XAU01	Angle BRK	2	3.59 LBS	
2	ACP10	1.5" - 3.5" O.D. CLAMP HALF	4	0.61 LBS	
3	MT-379-6	1/2" X 6" GALV THREADED ROD	8	0.33 LBS	
4	HB1216	HARDWARE BAG, 1/2" NUT, LOCK, FLAT	1	1.55 LBS	
5	DOCUMENT RECORD	INSERT DRAWING XA-U INTO BAG	1	-	

COMMSCOPE, INC. OF NORTH CAROLINA

TOLERANCES		SAP MATERIAL MASTER		
0 PLACE X ± .25	2 PLACE .XX ± .06	XA-U		
1 PLACE X ± .12	ANGLES ± 2°			
FINISH		MATERIAL		
GALV A123		A36		
UNLESS OTHERWISE SPECIFIED, DIMENSIONS ARE IN MILLIMETERS. INTERPRET PER ISO STANDARDS HANDBOOK, TECHNICAL DRAWINGS, VOLUMES 1 & 2, THIRD EDITION (2002).		NAME	DATE	TITLE
CE	MSM	12/12/09	UNIVERSAL CROSSOVER ANGLE	
RW				
RV				
AD				
RE	TP	12/12/09	SCALE	DOCUMENT NO.
ECN	8000014164		1:3	XA-U
SIZE	WORK AREA	MODEL	DRAWING	
C		VERSION	STATUS	REVISION
			VERSION	STATUS
				REVISION
				C
				SHEET
				1 OF 2

NOTES: 1.0 ALL METRIC DIMENSIONS ARE IN BRACKETS.

ITEM	PART NO.	DESCRIPTION	QTY.	WEIGHT
1	XAU01	Angle BRK	2	3.59 LBS
2	ACP10	1.5" - 3.5" O.D. CLAMP HALF	4	0.61 LBS
3	MT-379-6	1/2" X 6" GALV THREADED ROD	8	0.33 LBS
4	GWFO4A	1/2" GALV FLAT WASHER (A325)	16	0.02 LBS
5	GWL-04	1/2" GALV LOCK WASHER	16	0.01 LBS
6	GN-04A	1/2" GALV HEX NUT (A194 2H)	16	0.07 LBS



KIT OF 2EA

COMMScope, INC. OF NORTH CAROLINA

TITLE
UNIVERSAL CROSSOVER ANGLE

SIZE C	SCALE 1:3	DOCUMENT NO. XA-U
------------------	---------------------	-----------------------------

DRAWING	VERSION	STATUS	REVISION	SHEET 2 OF 2
			C	

© 2015 CommScope, Inc. Confidential