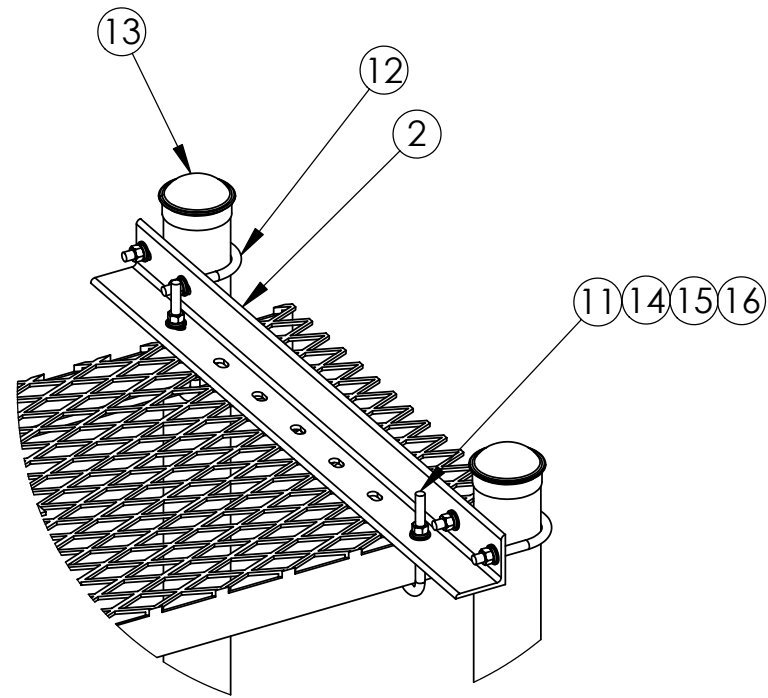
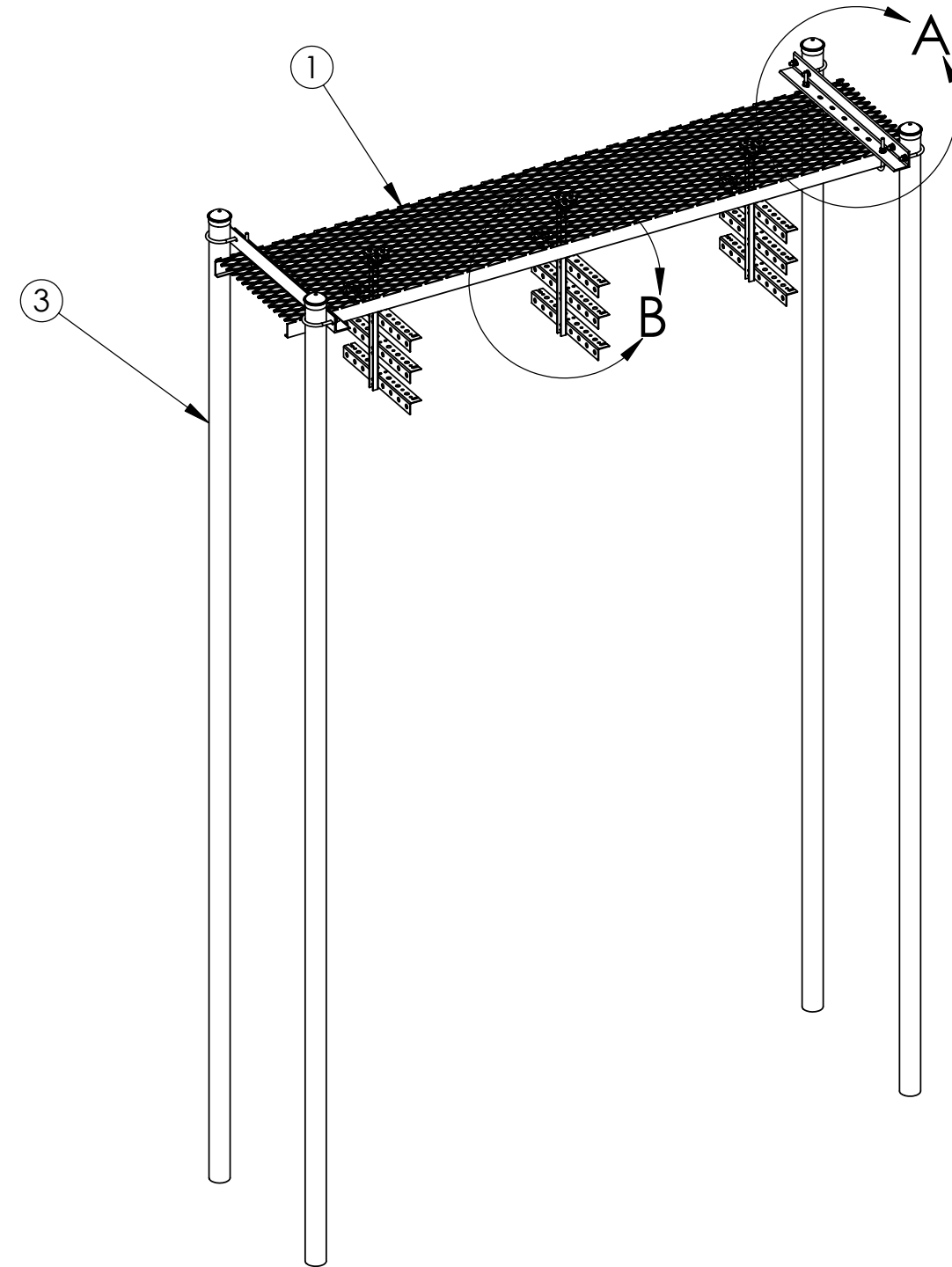
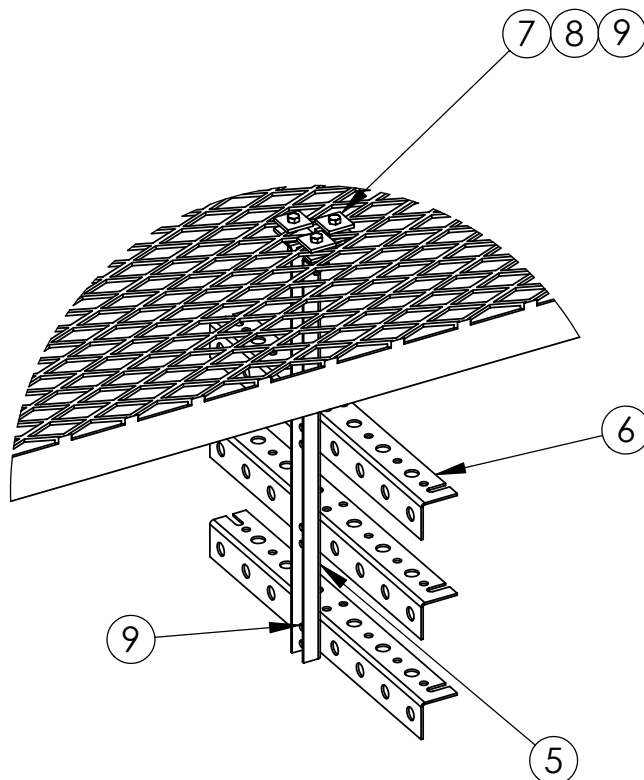


| ITEM | PART NO. | DESCRIPTION | QTY. | WEIGHT |
|------|--------------|--|------|------------|
| 1 | WB-CY210 | SAFETY GRATING 24" X 10' X 12 GAUGE | 1 | 80.01 LBS |
| 2 | WB-CS24-3.01 | 24" WAVEGUIDE BRIDGE SUPPORT BRACKET | 2 | 15.40 LBS |
| 3 | MF-273 | DIRECT BURIAL PIPE COLUMN, 15' 4" | 4 | 116.00 LBS |
| 4 | WBK410BH | HARDWARE KIT ITEM#5-16 | 1 | |
| 5 | WBT243.01 | VERTICAL TRAPEZE SECTION | 3 | 2.55 LBS |
| 6 | WBT243.02 | HORIZONTAL TRAPEZE SECTION | 9 | 2.81 LBS |
| 7 | MT-387 | SQUARE WASHER, 1½" X 1½" W/ 7/16" HOLE | 18 | 0.11 LBS |
| 8 | GB-03205 | 3/8" X 2" GALV BOLT KIT | 9 | 0.20 LBS |
| 9 | GWF-03 | 3/8" GALV FLAT WASHER | 9 | 0.02 LBS |
| 10 | GB-03105 | 3/8" X 1" GALV BOLT KIT | 18 | 0.20 LBS |
| 11 | WB-JB-6 | 1/2" J-BOLT | 4 | 0.49 LBS |
| 12 | GUB-4355 | 1/2" X 3-5/8" X 5" GALV U-BOLT KIT | 4 | 0.71 LBS |
| 13 | PC-034 | PIPE CAP 3-1/2" | 4 | 0.94 LBS |
| 14 | GWF-04 | 1/2" GALV FLAT WASHER | 12 | 0.02 LBS |
| 15 | GWL-04 | 1/2" GALV LOCK WASHER | 4 | 0.01 LBS |
| 16 | GN-04 | 1/2" GALV HEX NUT | 4 | 0.04 LBS |

| REVISIONS | | | | |
|-----------|------|-----------------|----|----------|
| REV. | ZONE | DESCRIPTION | BY | DATE |
| A | | INITIAL RELEASE | AW | 06/29/06 |



DETAIL A



DETAIL B

| | | | |
|---|-------------------|----------------------|--|
| <p>These drawings and specifications are the proprietary property of ANDREW CORPORATION and may be used only for the specific purpose authorized in writing by Andrew Corporation.</p> <p>ALL DIMENSIONS ARE IN INCHES U.O.S. TOLERANCES UNLESS OTHERWISE SPECIFIED:</p> <p>.X = ± .06 ANGLES ± 2° .XX = ± .03 FRACTIONS ± 1/32 .XXX = ± .010</p> <p>REMOVE BURRS AND BREAK EDGES .005</p> <p>DO NOT SCALE THIS PRINT</p> | DRAWN BY: AW | SHEET: 1 of 1 | PART NUMBER: WB-K410-B15 |
| | CHECKED BY: TP | SCALE: NTS | DESCRIPTION: 24" WAVEGUIDE BRIDGE KIT |
| | DATE: 06/29/06 | MATERIAL: A36 | DRAWING TYPE: ASSEMBLY DRAWING |
| | REVISION: A | FINISH: GALV A123 | WEIGHT: 619.11 LBS |