

4

3

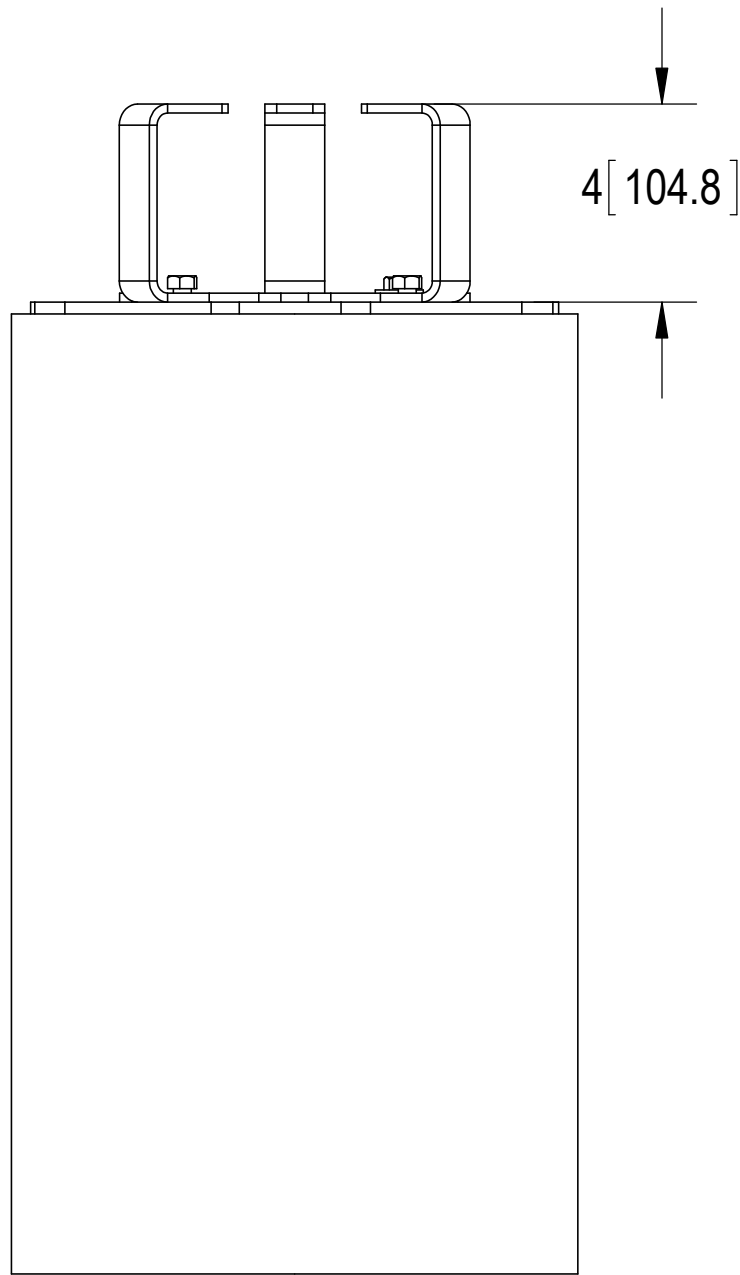
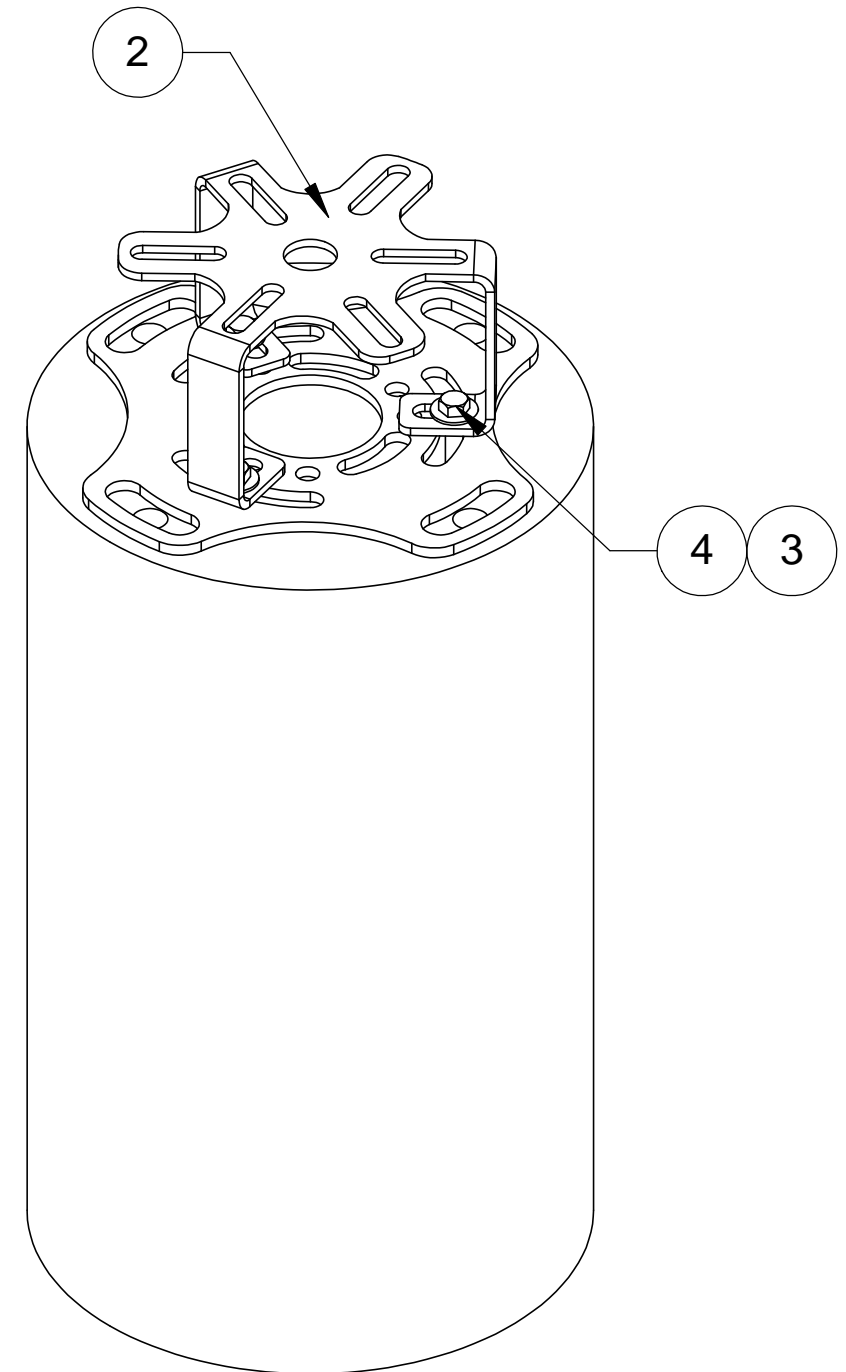
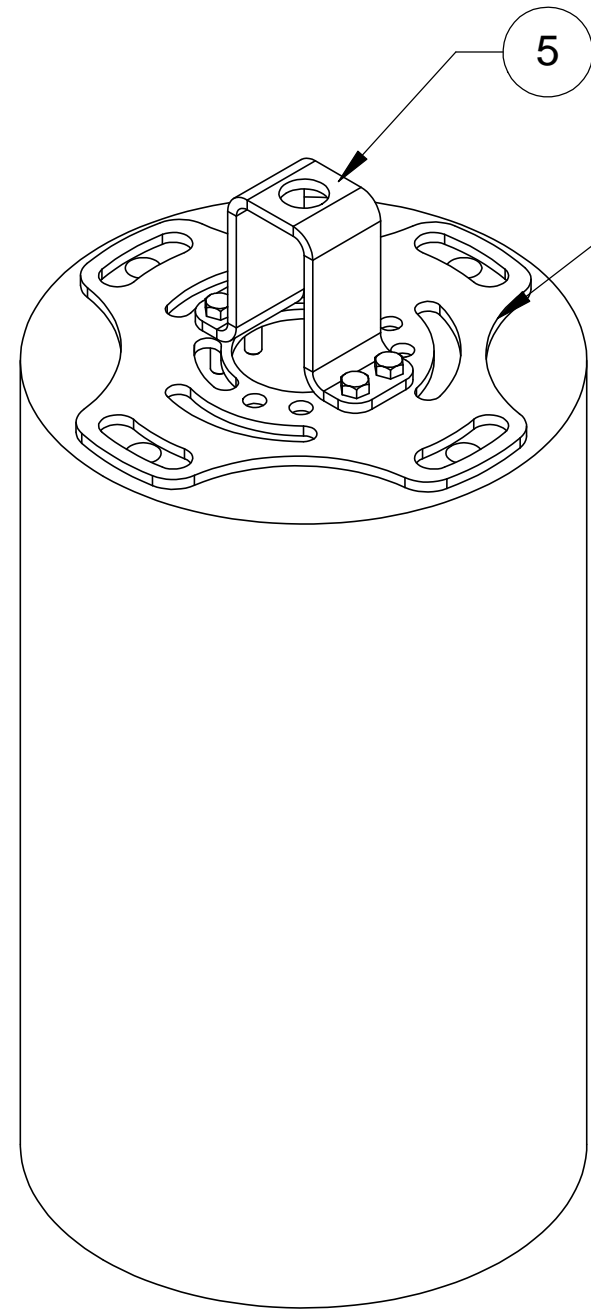
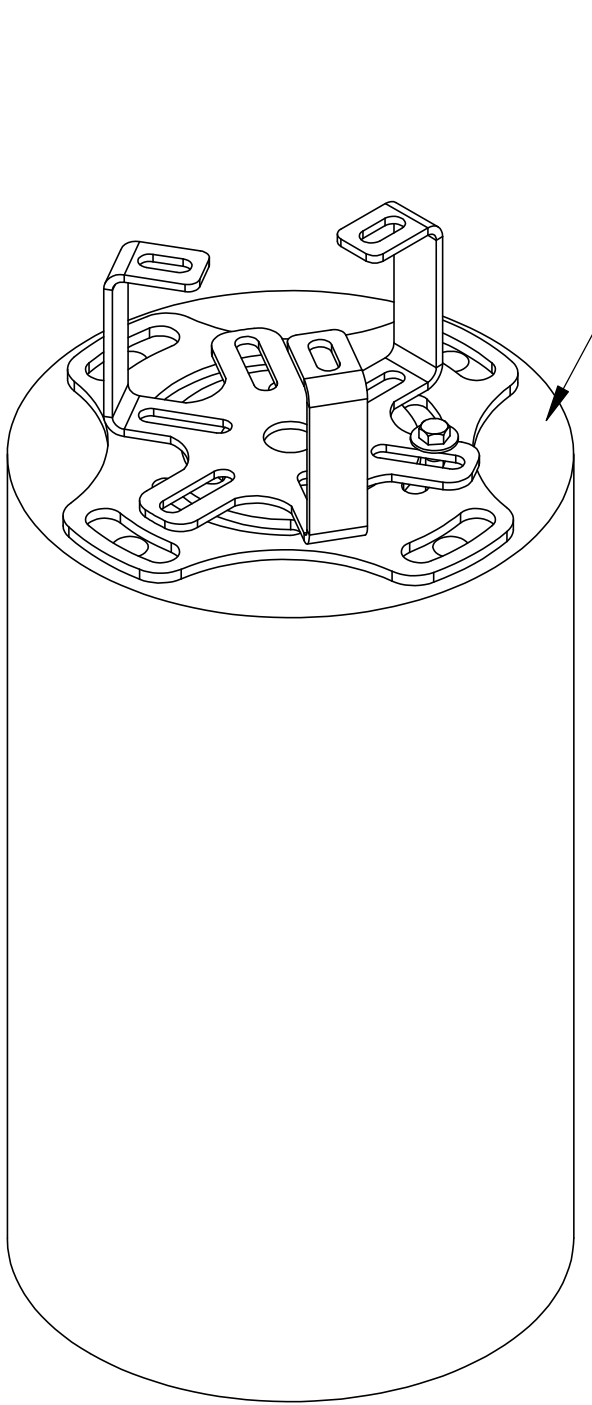
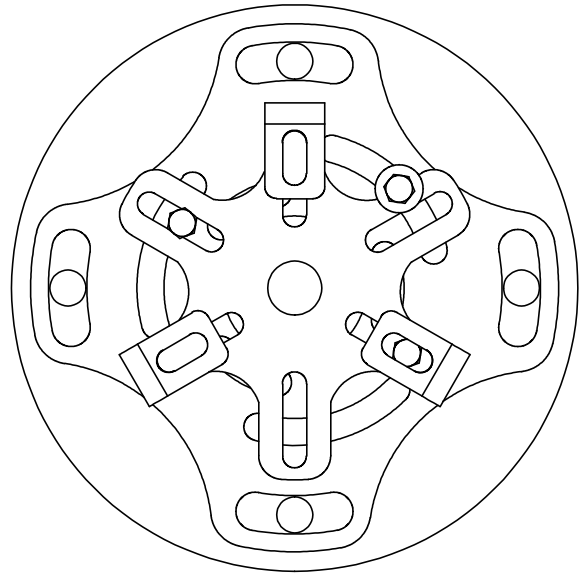
2

1

NOTES:

- 1.0 ALL METRIC DIMENSIONS ARE IN BRACKETS.
- 2.0 MOUNTING BOLTS TO AMERON POLE NOT PROVIDED

REVISIONS				
REV.	ECN	DESCRIPTION	BY	DATE
A	8000027946	INITIAL RELEASE	FA	02/14/18
B	8000028447	CHANGE Z BRKT TO U BRKT	FA	3/13/2018



UNIVERSAL MOUNT FLIPPED

U BRACKET SET-UP

UNIVERSAL MOUNT

COMPATIBLE ANTENNAS			
OEM	MODELS	U BRACKET	UNIVERSAL ANTENNA MOUNT
GALTRONICS	P6480i	x	
AMPHENOL	CUUT070X06Fxyz0		x
KATHERIN	80010783 /80010784		x
KMW	FX-OM2L10H2	x	x
COMMSCOPE	(RR) / VVSP-360S-F		x

COMMSCOPE, INC. OF NORTH CAROLINA

TOLERANCES		SAP MATERIAL MASTER	
0 PLACE X ± .25	2 PLACE .XX ± .06	SCPT	
1 PLACE .X ± .12	ANGLES ± 2°	MATERIAL A1011/1018	
FINISH NONE		MATERIAL A1011/1018	
UNLESS OTHERWISE SPECIFIED DIMENSIONS ARE IN MILLIMETERS INTERPRET PER ISO STANDARDS HANDBOOK TECHNICAL DRAWINGS VOLUMES 1 & 2, THIRD EDITION (2002)		NAME	DATE
		CE FA	02/14/18
		RW	
		RV	
		AD	
		RE TP	02/14/18
		ECN 80000027946	SCALE 1:4
		TITLE SMALL CELL, POLE TOP ANTENNA MOUNT	
		DOCUMENT NO. SCPT	
SIZE	WORK AREA	MODEL	
C		VERSION	STATUS
		REVISION	VERSION
		STATUS	REVISION
		DRAWING	
		SHEET 1 OF 1	

ITEM	PART NO.	DESCRIPTION	KMW/QTY.	WEIGHT	NOTE NO.
1	MTC401216	FLAT PLATE, SCPT	1	3.28 LBS	
2	MTC401211	UNIVERSAL ANTENNA MOUNT	1	2.24 LBS	
3	GWF-03	3/8" GALV FLAT WASHER	4	0.01 LBS	
4	GB-03145	3/8" X 1-1/2" GALV BOLT KIT	4	0.07 LBS	
5	MTC401217	U BRACKET, GALETRONICS ANT	1	1.53 LBS	

DENSITY	0.28	lbs/in ³
MASS	403.67	lbs
VOLUME	1432.33	in ³
SURFACE AREA		in ²
HEIGHT		
LENGTH		
WIDTH		

4

3

2

1