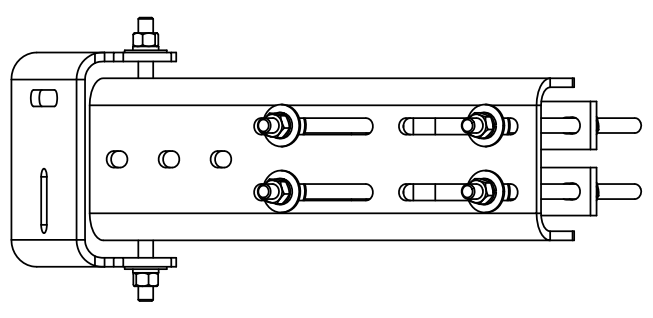
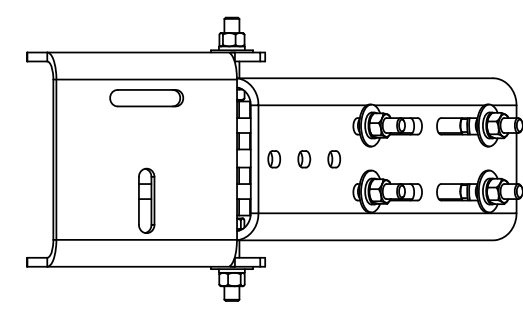
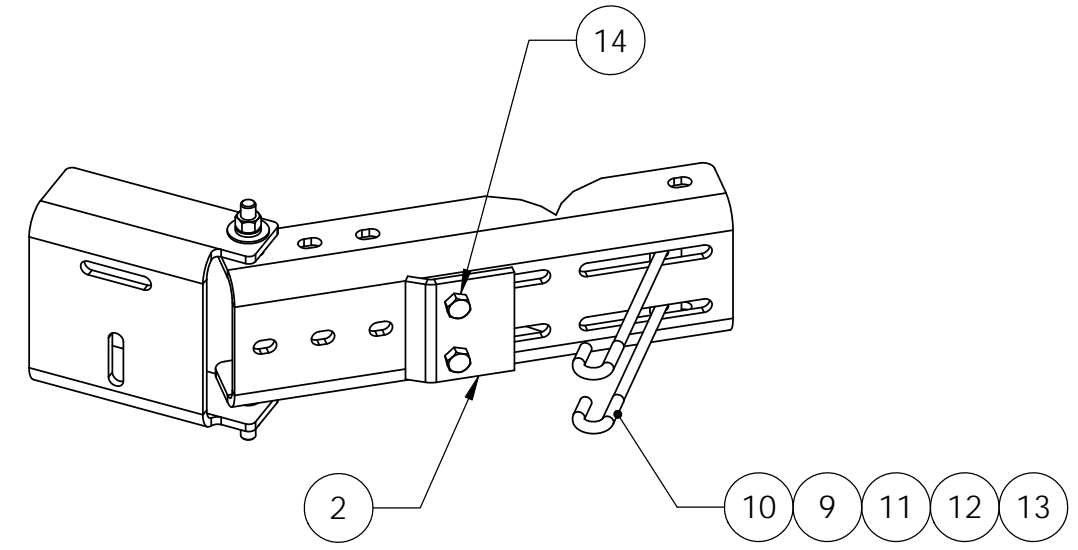
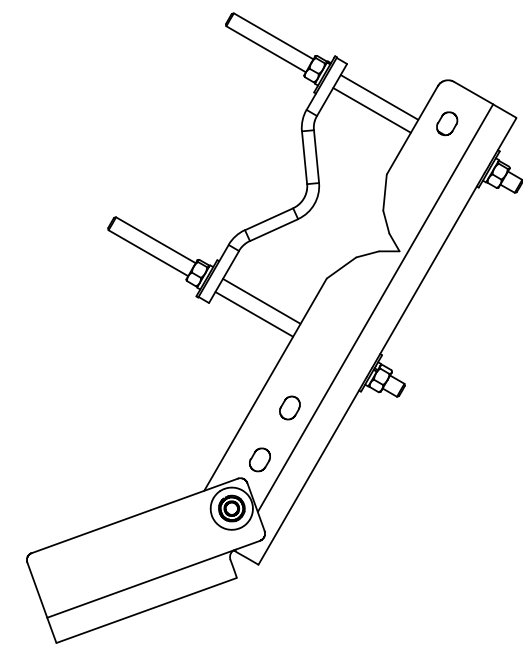
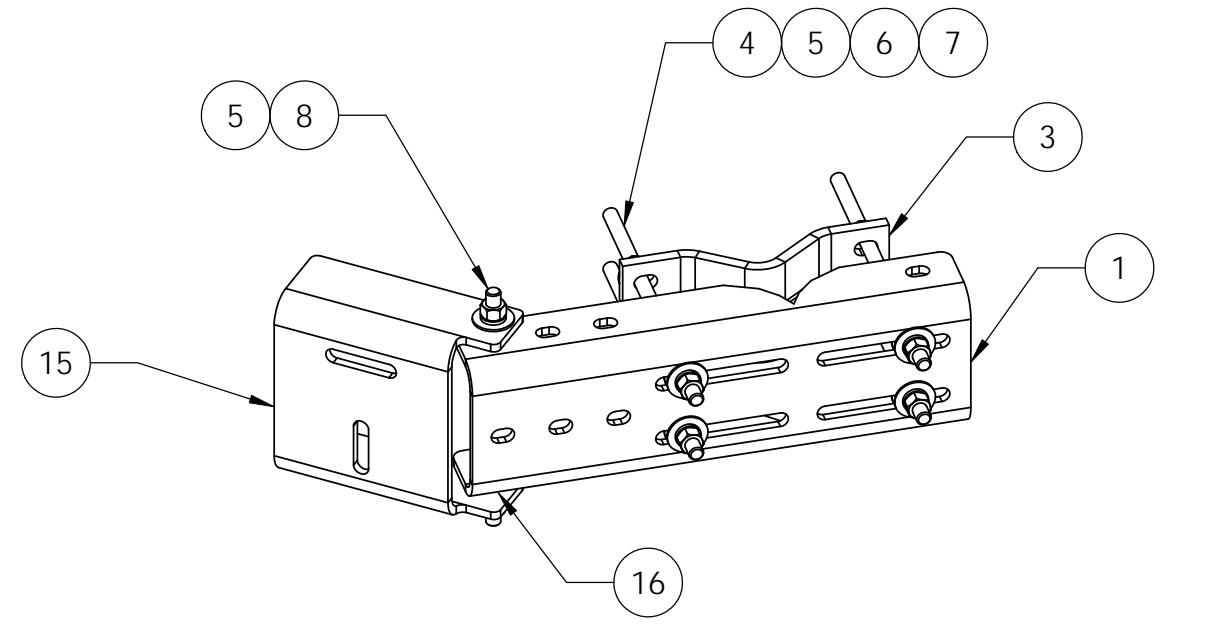



| ITEM | PART NO. | DESCRIPTION | QTY. | WEIGHT |
|------|------------|-----------------------------------|------|-----------|
| 1 | MDCS01 | Universal Leg Channel | 1 | 24.61 LBS |
| 2 | MDCS02 | Clamp Plate | 1 | 2.35 LBS |
| 3 | MCP10 | 2-1/2" O.D. TO 9" O.D. CLAMP HALF | 2 | 3.36 LBS |
| 4 | MT-382-14 | 5/8" X 14" GALV THREADED ROD | 4 | 1.21 LBS |
| 5 | GWF-05 | 5/8" GALV FLAT WASHER | 17 | 0.03 LBS |
| 6 | GWL-05 | 5/8" GALV LOCK WASHER | 9 | 0.00 LBS |
| 7 | GN-05 | 5/8" GALV HEX NUT | 13 | 0.04 LBS |
| 8 | GB-05305 | 5/8" X 3" GALV BOLT KIT | 2 | 0.35 LBS |
| 9 | MDCS04 | Clamp Tube | 1 | 0.48 LBS |
| 10 | MDCS10 | J-BOLT 1/2-13 X 12, GALV | 2 | 0.75 LBS |
| 11 | GWF-04 | 1/2" GALV FLAT WASHER | 2 | 0.03 LBS |
| 12 | GWL-04 | 1/2" GALV LOCK WASHER | 2 | 0.00 LBS |
| 13 | GN-04 | 1/2" GALV HEX NUT | 2 | 0.04 LBS |
| 14 | GB-05245 | 5/8" X 2-1/2" GALV BOLT KIT | 2 | 0.31 LBS |
| 15 | MTC9872.03 | CHANNEL PIVOT BRACKET 4-1/2" PIPE | 1 | 13.31 LBS |
| 16 | MDCSL01 | 11/16" Spacer | 2 | 0.06 LBS |

| REVISIONS | | | | |
|-----------|------|-------------------------|-----|----------|
| REV. | ZONE | DESCRIPTION | BY | DATE |
| A | | INITIAL RELEASE | MSM | 01/20/10 |
| B | | THREADED ROD WAS MT-381 | MSM | 09/13/12 |



NOTES:
 1. ALL METRIC DIMENSIONS ARE IN BRACKETS.

| | | | |
|---|--------------------------|----------------------------------|---|
| <small>These drawings and specifications are the proprietary property of ANDREW CORPORATION and may be used only for the specific purpose authorized in writing by Andrew Corporation.</small> ALL DIMENSIONS ARE IN INCHES U.O.S. TOLERANCES UNLESS OTHERWISE SPECIFIED: .X = ± .12 ANGLES ±2° .XX = ± .06 FRACTIONS ±1/32 .XXX = ± .03 REMOVE BURRS AND BREAK EDGES .005 DO NOT SCALE THIS PRINT | DRAWN BY: MSM | SHEET: 1 of 1 | PART NUMBER: MD-CSL |
| | CHECKED BY: TP | SCALE: NTS | DESCRIPTION: Microwave Dish Channel Support Large |
| | DATE: 01/20/10 | MATERIAL: A36 | DRAWING TYPE: ASSEMBLY DRAWING |
| | REVISION: B | FINISH: GALV A123 |  |
| | WEIGHT: 58.06 LBS | WESTCHESTER, IL. 60154 U.S.A. | |