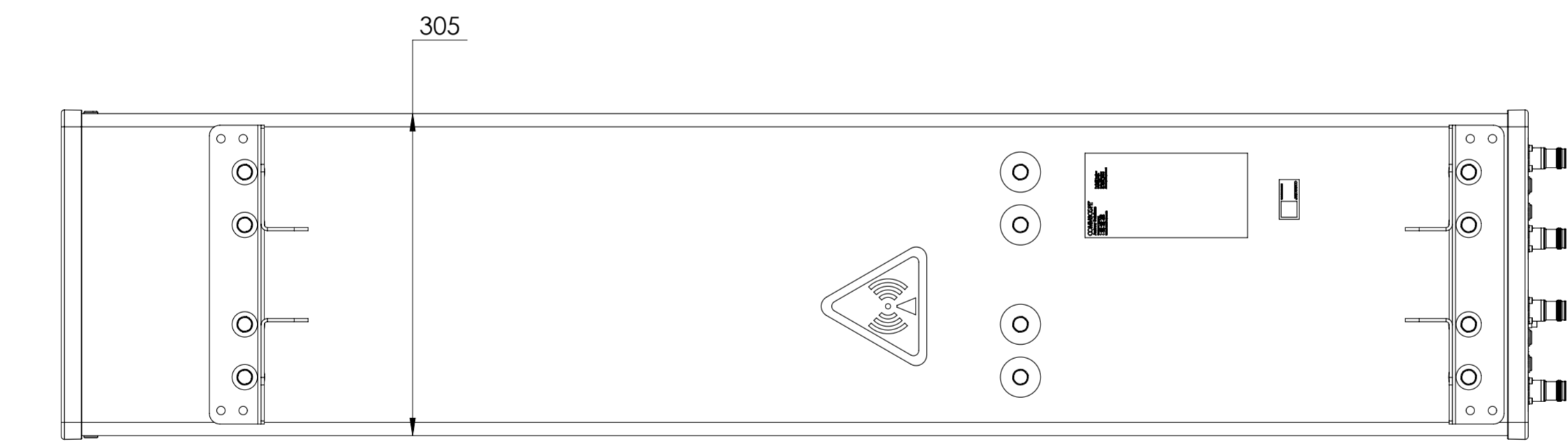
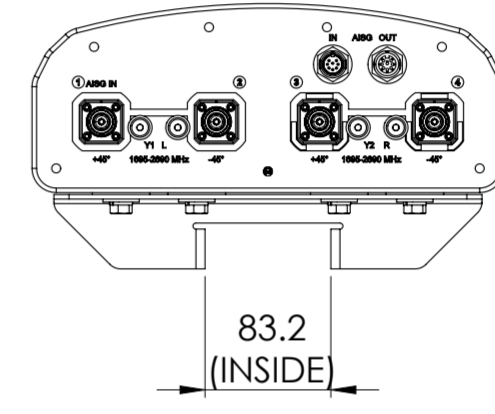


REVISIONS			
REV.	DESCRIPTION	DATE	APPROVED
A	ECR 8000030424: REL TO PRODUCTION PER EAO 605600.	6AUG18 QJ	ZHWJ/WRM



VV-65A-R1B

<b>COMMSCOPE, INC. OF NORTH CAROLINA</b>											
TOLERANCES					SAP MATERIAL MASTER						
0 PLACE X ±		2 PLACE .XX ±									
1 PLACE .X ±		ANGLES ±									
FINISH					MATERIAL						
<b>PRODUCT DRAWING</b>											
NAME		DATE		TITLE							
CE QJ		6AUG18		<b>VV-65A-R1B-L</b>							
RW QS1002		08/27/2018									
RV WZ1020		08/27/2018									
AD RW1038		08/27/2018									
RE ZHHCHEN		08/27/2018									
ECN 8000030424-O											
SCALE		DOCUMENT NO.									
1:5											
SIZE		WORK AREA		MODEL			DRAWING			SHEET	
A2		23		VERSION			STATUS			REVISION	
				00			RE			A	
				00			RE			A	
				00			RE			A	
				00			RE			A	

DENSITY	g/mm <sup>3</sup>
MASS	grams
VOLUME	mm <sup>3</sup>
SURFACE AREA	mm <sup>2</sup>
HEIGHT	
LENGTH	
WIDTH	

© 2018 CommScope, Inc.