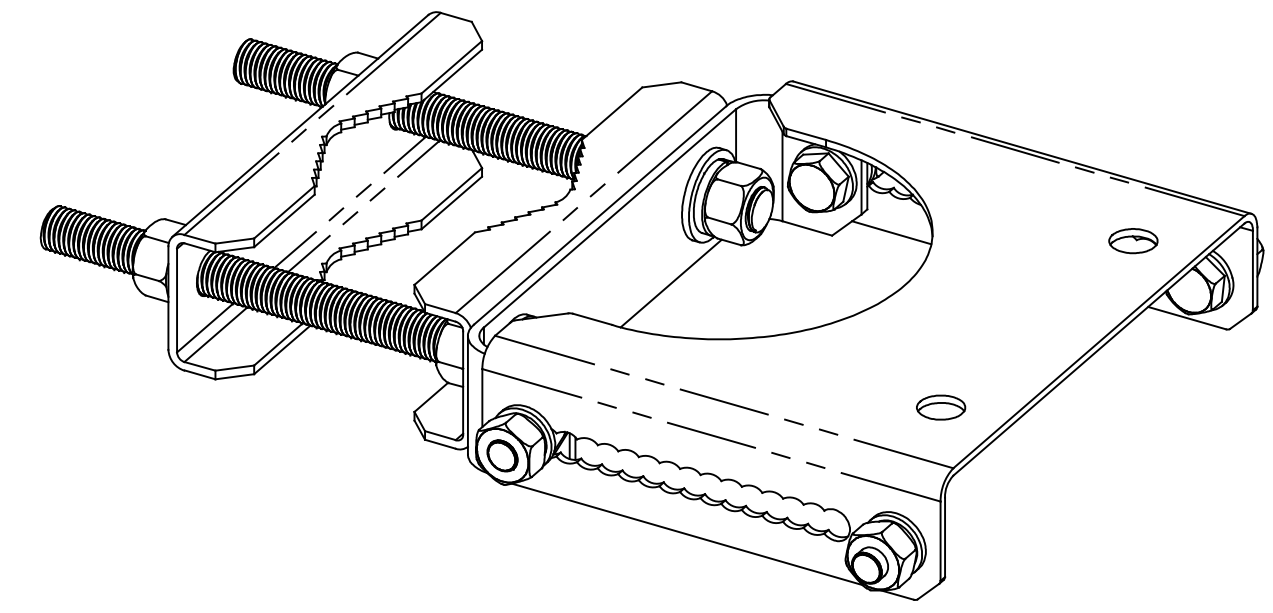
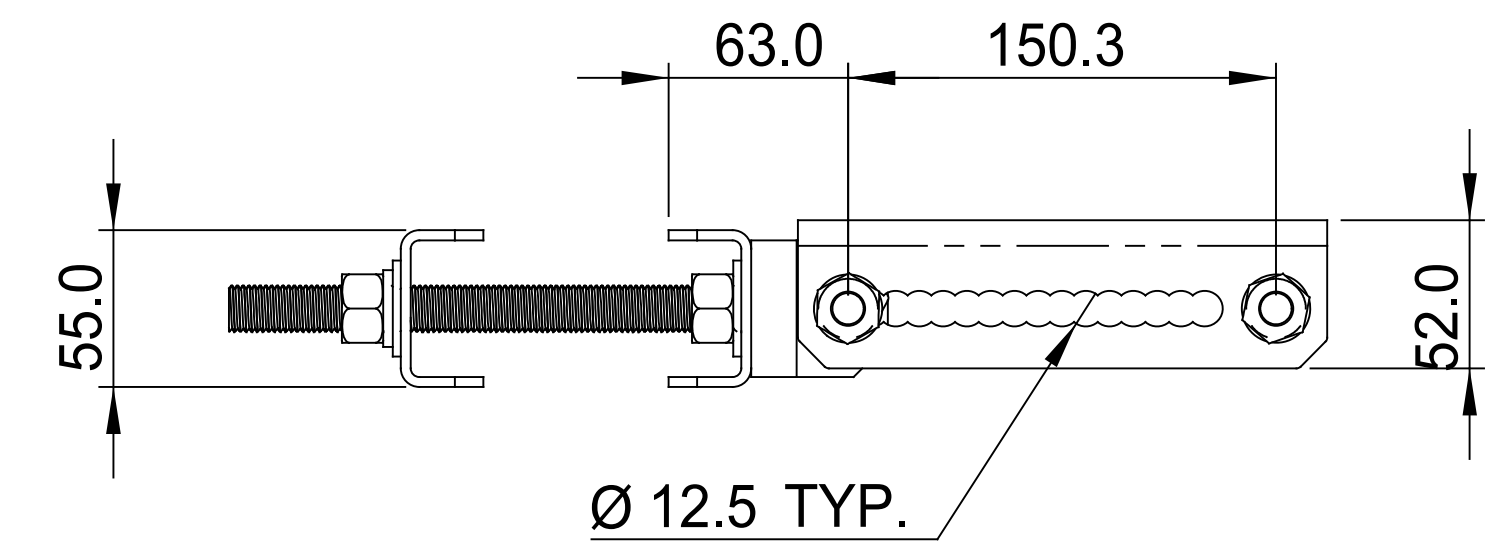
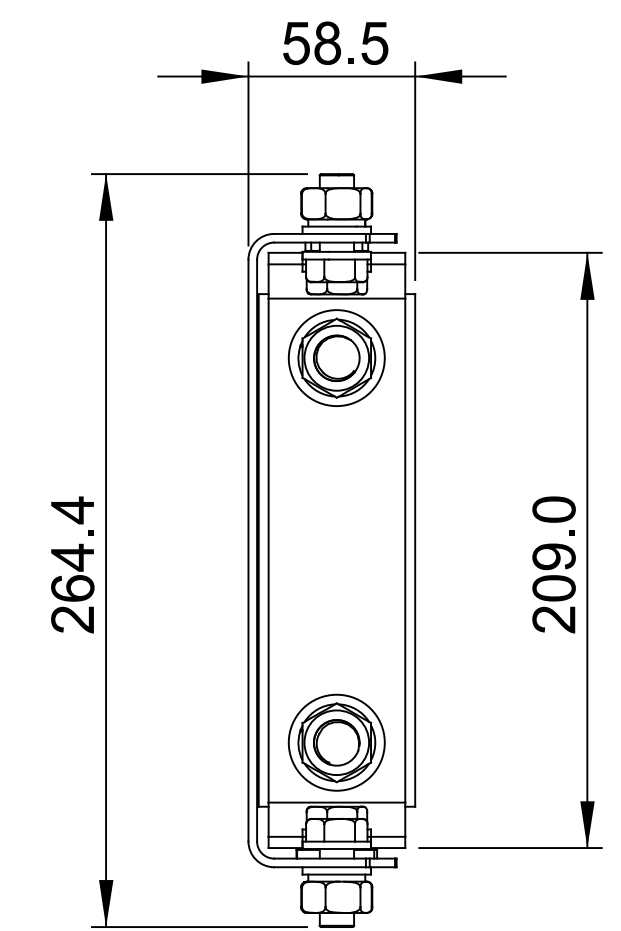
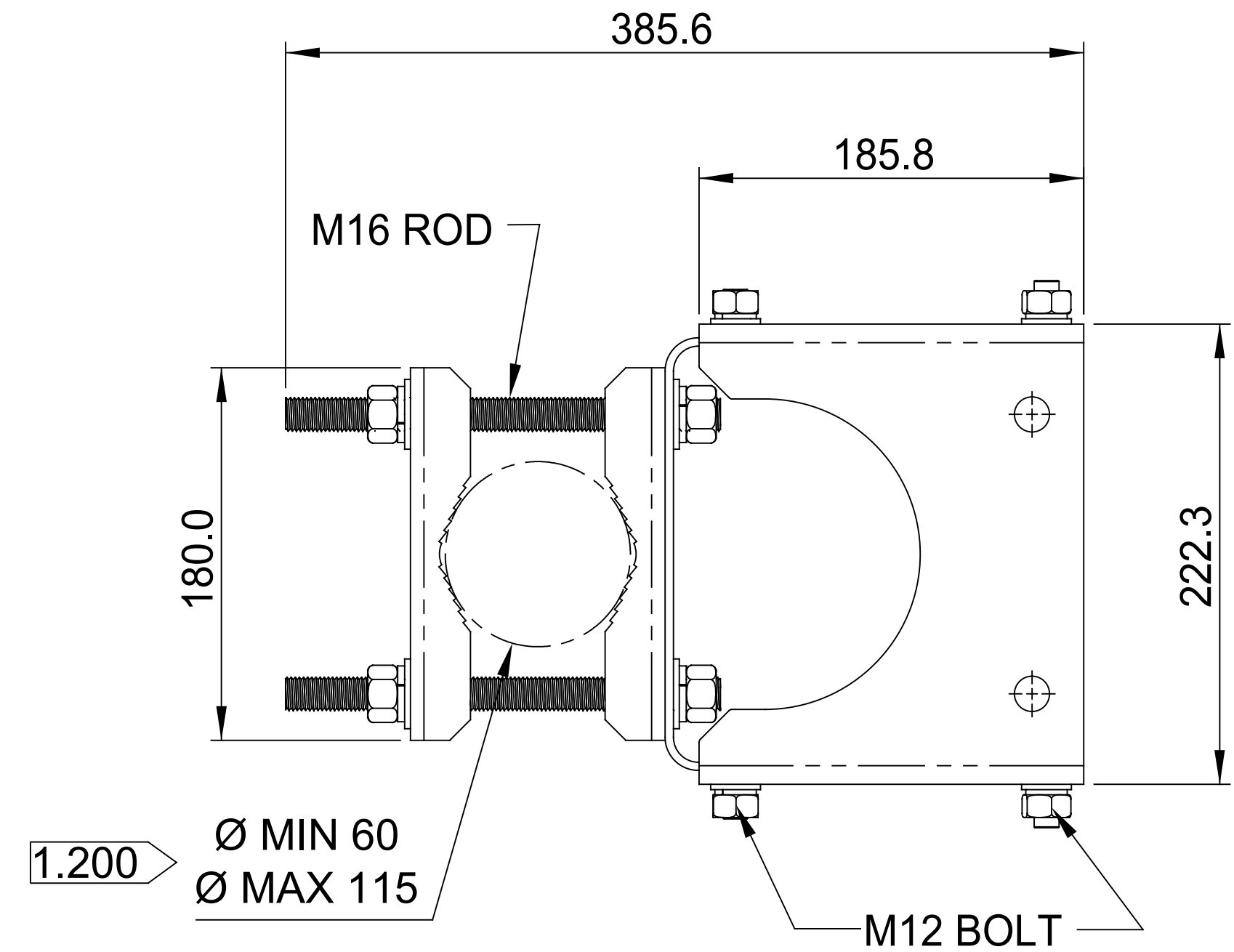


ZONE	REV.	ECR	DESCRIPTION	DRAWN BY	DATE
-	A	8000007819	INITIAL ISSUE	H.D	22/04/2015
-	B	8000035097	ADD PIPE DIMENSION & NOTE 1.200.	ZW	07/05/2019

NOTES:

1.0 GENERAL NOTES

1.200 MIN. AND MAX. PIPE DIAMETERS ONLY REFER TO CAPABLE PIPE SIZE OF THE MOUNTING KIT. THE RECOMMENDED PIPE DIAMETER VARIES FOR DIFFERENT ANTENNA LENGTH AND IS PROVIDED IN ANTENNA INSTALLATION MANUAL.



T-108-GL-E

		DESCRIPTION: PRODUCT DRAWING		DWG REV B	
UNLESS OTHERWISE SPECIFIED DIMENSIONS ARE IN MILLIMETRES. TOLERANCES ARE: 0 - 20 ±0.1 HOLE Ø ±0.1 >20-100 ±0.2 HOLE Ø ±0.2 >100-200 ±0.5 ANGULAR ±0.5° >200 ± 1		PART/DWG NUMBER: T-108-GL-E-L		DATE: 22/04/2015	
MATERIAL: N/A		3D MOD: M.O		SCALE: 1:5 A3	
FINISH: N/A		DRAWN: H.D		SHEET 1 OF 1	
DRAWN TO AS1100					