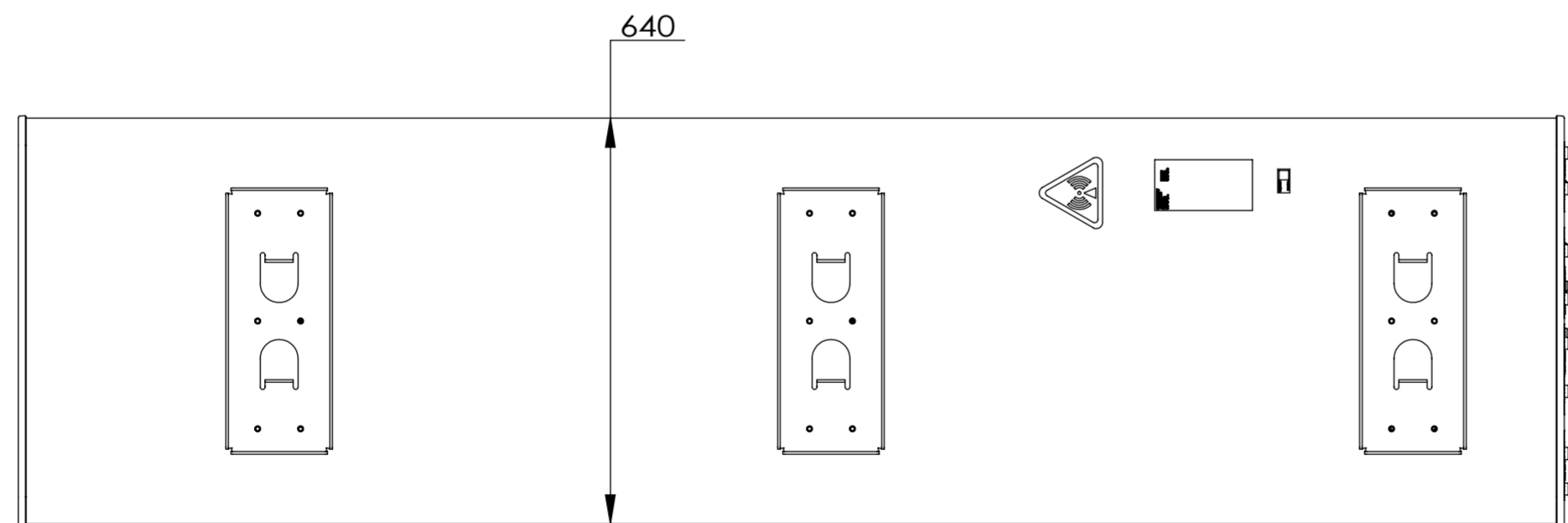
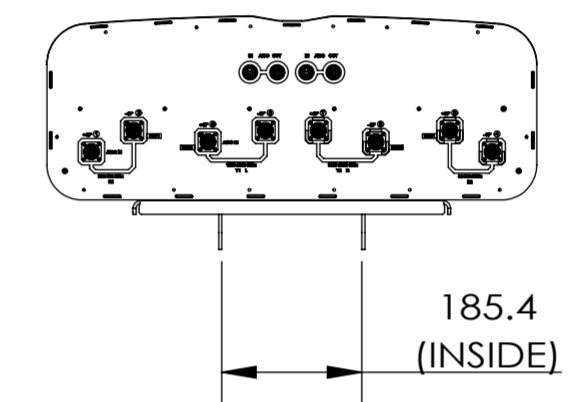
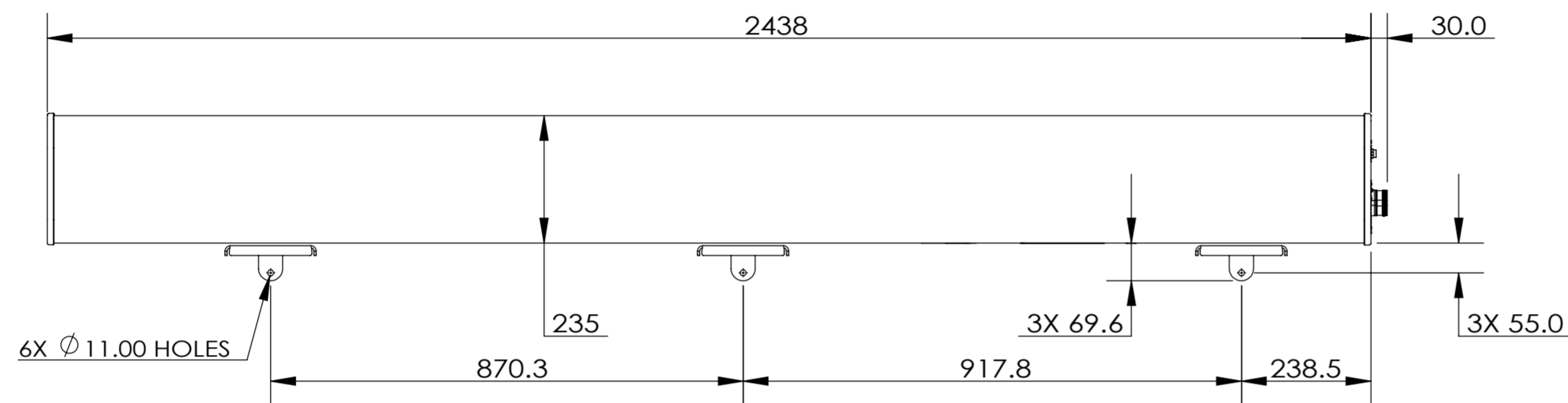


NOTES:

REVISIONS			
REV.	DESCRIPTION	DATE	APPROVED
A	ECR 8000017881: RELEASE TO PRODUCTION PER EAO 603862.	25FEB17 ZLL	XA.FUWFW



JAHH-33C-R3B

COMMSCOPE, INC. OF NORTH CAROLINA									
TOLERANCES					SAP MATERIAL MASTER				
0 PLACE X ±		2 PLACE .XX ±							
1 PLACE .X ±		ANGLES ±							
FINISH					MATERIAL				
N/A					N/A				
<small>UNLESS OTHERWISE SPECIFIED DIMENSIONS ARE IN MILLIMETERS INTERPRET PER ISO STANDARDS HANDBOOK TECHNICAL DRAWINGS, VOLUMES 1 & 2, THIRD EDITION (2002)</small>	CE	ZLL	DATE	TITLE					
	RW		02/25/2017	PRODUCT DRAWING					
	RV								
	AD								
	RE								
	ECN			SCALE	DOCUMENT NO.				
			1:10						
DENSITY	g/mm ³								
MASS	grams								
VOLUME	mm ³								
SURFACE AREA	mm ²								
HEIGHT		SIZE	WORK AREA	MODEL			DRAWING		
LENGTH		A2		VERSION	STATUS	REVISION	VERSION	STATUS	REVISION
WIDTH									
SHEET									
1 OF 1									