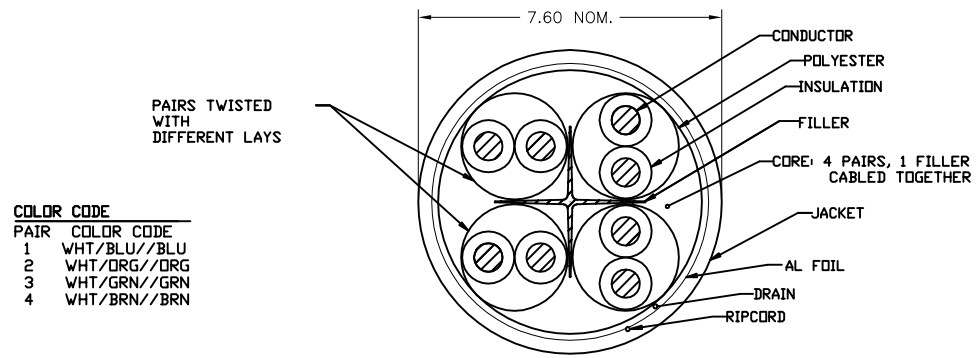


REVISIONS				
P	LR	DESCRIPTION	DATE	DRN / APD
E		40033401MCO	19SEP2016	RL / GW

FREQUENCY (MHz)	ATTENUATION (db/100m)	NEXT (db, WORST PR)	PSNEXT (db)	ELFEXT (db, WORST PR)	PSELFEXT (db)	DELAY (ns/100m)	RL (db)	IMPEDANCE (ohms)	ACR (db)
	MAXIMUM	MINIMUM	MINIMUM	MINIMUM	MINIMUM	MAXIMUM	MINIMUM		MINIMUM
1	2.1	74.3	72.3	67.8	64.8	570	20.0	100±15	72
4	3.8	65.3	63.3	55.8	52.8	552	23.0	100±15	61
8	5.3	60.8	58.8	49.7	46.7	547	24.5	100±15	55
10	5.9	59.3	57.3	47.8	44.8	545	25.0	100±15	53
16	7.5	56.2	54.2	43.7	40.7	543	25.0	100±15	49
20	8.4	54.8	52.8	41.8	38.8	542	25.0	100±15	46
25	9.4	53.3	51.3	39.8	36.8	541	24.3	100±15	44
31.25	10.5	51.9	49.9	37.9	34.9	540	23.6	100±15	41
62.5	15.0	47.4	45.4	31.9	28.9	539	21.5	100±15	32
100	19.1	44.3	42.3	27.8	24.8	538	20.1	100±22	24
150	23.7	41.7	39.7	24.3	21.3	537	18.9	100±22	16.8
200	27.6	39.8	37.8	21.8	18.8	537	18.0	100±22	10.6
250	31.1	38.3	36.3	19.8	16.8	536	17.3	100±25	5.3
300	34.3	37.1	35.1	18.3	15.3	536	16.8	100±25	-
500	45.3	33.8	31.8	13.8	10.8	536	15.2	100±25	-

FOR ENGINEERING PURPOSES ONLY, ALL MEASUREMENTS ARE SWEEPED OVER THE FREQUENCY RANGE OF INTEREST.

- ⚠ LENGTH SEQUENCE IS RETURNED TO ZERO FOR EACH LENGTH LENGTH MEASUREMENT ACCURACY TO BE ±1%
 - ⚠ MATERIALS ARE SELECTED BASED ON THEIR ABILITY TO CONFORM TO UL 444 AND TIA 568 LATEST ISSUES.
 - ⚠ JACKET COLOR SHALL BE IN ACCORDANCE WITH EIA-359-A WIRE AND CABLE LIMITS OR COMMSCOPE SUPPLIED COLOR STANDARD
 - ⚠ PRINT COLOR SHALL BE BLACK EXCEPT WHITE ON BLACK JACKET
 - ⚠ PRINT DURABILITY SHALL BE PER UL 444
6. GOVERNING SPECIFICATIONS - LATEST REVISIONS
 TIA 568
 NEC 800
 UL 444



⚠ ⚠ ⚠
 COMMSCOPE AMP NETCONNECT CATEGORY 6A ABCDE 4PR 23AWG F/UTP LSRFZH 75C [length] METER YYWW [tracking number]
 LEGEND TO BE REPEATED EVERY METER

WHITE	500±1%	REEL	1-1859381-2
WHITE	305±1%	REEL	1859381-2
COLOR	LENGTH(M)	PACKAGING	PART NUMBER

THIS DRAWING IS A CONTROLLED DOCUMENT.

DRN R.LI 06JAN2016	DRN E.ZHANG 06JAN2016	COMMSCOPE, INC.	
DIMENSIONS: mm	TOLERANCES UNLESS OTHERWISE SPECIFIED:	APD W.FAN 06JAN2016	NAME CABLE, CATEGORY 6A, F/UTP 4PR, 23AWG, LSRFZH
0 PLC ± -	1 PLC ± -	PRODUCT SPEC	-
2 PLC ± -	3 PLC ± -	APPLICATION SPEC	-
4 PLC ± -	ANGLES FINISH	SIZE	CAGE CODE DRAWING NO
MATERIAL		A2	00779 C-1859381
		CUSTOMER DRAWING	RESTRICTED TO
		SCALE	SHEET 1 of 1 REV E

1859381