

STX192127T-N10 | E11F03P84



Ultra-Compact Twin Triplexer PCS/AWS/2496-2700MHz, NEX10 connectors

- BTS-to-feeder and feeder-to-antenna application
- Miniature NEX10™ series connector for superior PIM and compact size
- dc/AISG blocking on all ports
- Suitable for space limited applications like Metro Cell, Lamp Pole, Concealment Solution and Macro Site
- Ideal for small cell applications

Product Classification

Product Type Triplexer

General Specifications

Color Gray

Common Port Label COM

Modularity 2-Twin

Mounting Pole | Wall

Mounting Pipe Hardware Band clamps (2)

RF Connector Interface NEX10 Female

RF Connector Interface Body Style Long neck

Dimensions

Height 87 mm | 3.425 in

Width 259 mm | 10.197 in

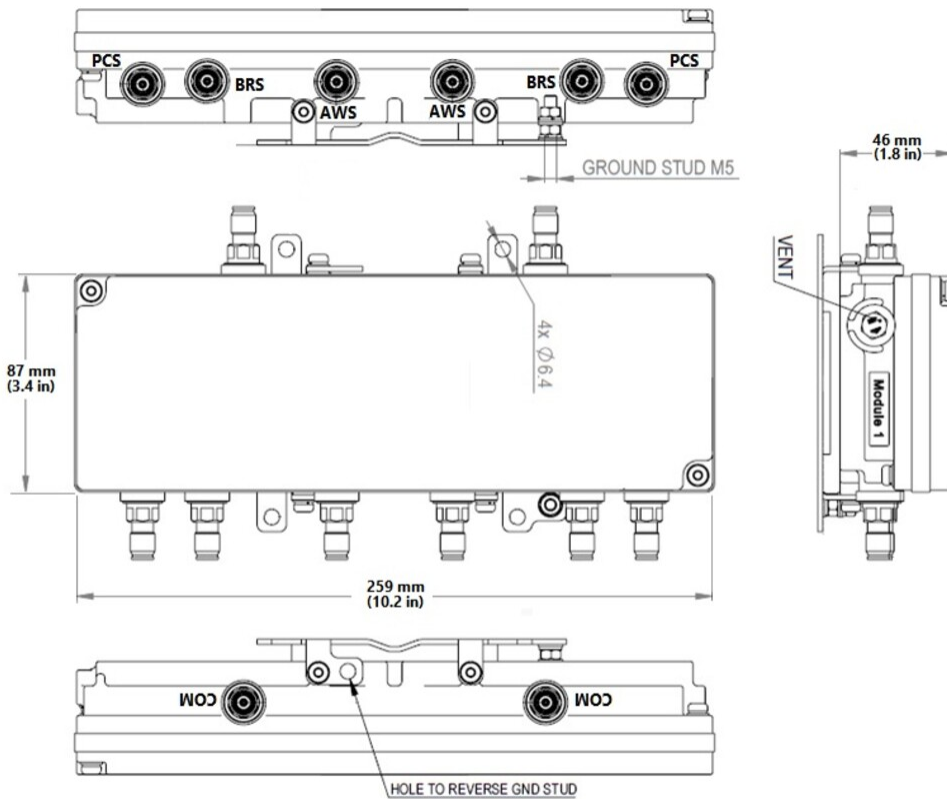
Depth 46 mm | 1.811 in

Ground Screw Diameter 5 mm | 0.197 in

Mounting Pipe Diameter Range 42.6–122 mm

Outline Drawing

STX192127T-N10 | E11F03P84



Electrical Specifications

Impedance	50 ohm
License Band, Band Pass	AWS 1700 AWS 2000 DCS 1800 IMT 2100 IMT 2600 PCS 1900 TDD 2600

Electrical Specifications, dc Power/Alarm

dc/AISG Pass-through Method	No dc/AISG pass-through
Lightning Surge Current	5 kA
Lightning Surge Current Waveform	8/20 waveform

Electrical Specifications

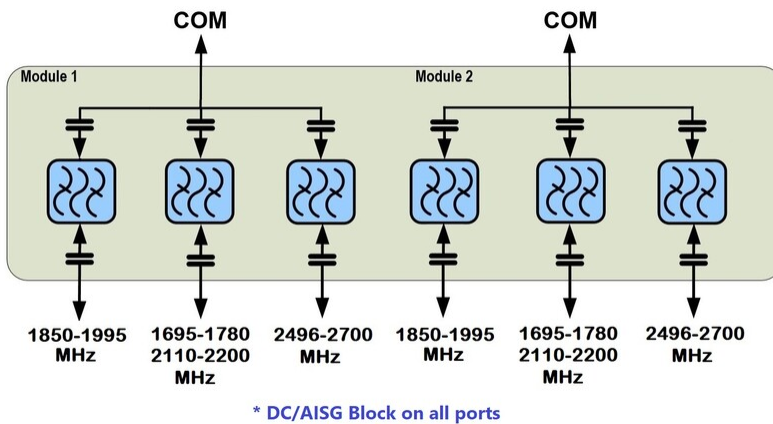
Sub-module	1 2	1 2	1 2
Branch	1	2	3
Port Designation	PCS	AWS	BRS
License Band	PCS 1900, Band Pass	AWS 1700, Band Pass AWS 2000, Band Pass	TDD 2600, Band Pass IMT 2600, Band Pass

STX192127T-N10 | E11F03P84

Electrical Specifications, Band Pass

Frequency Range, MHz	1850-1995	1695-1780 2110-2200	2496-2700
Insertion Loss, maximum, dB	0.35	0.3	0.3
Total Group Delay, maximum, ns	15	15	8
Return Loss, typical, dB	20	20	20
Isolation, minimum, dB	35	35	35
Input Power, RMS, maximum, W	85	85	85
Input Power, PEP, maximum, W	1000	1000	1000
3rd Order PIM, typical, dBc	-155	-155	-155
3rd Order PIM Test Method	Two +43 dBm carriers	Two +43 dBm carriers	Two +43 dBm carriers

Block Diagram



Environmental Specifications

Operating Temperature	-40 °C to +65 °C (-40 °F to +149 °F)
Relative Humidity	Up to 100%
Corrosion Test Method	IEC 60068-2-11, 30 days
Ingress Protection Test Method	IEC 60529:2001, IP67

Packaging and Weights

Included	Mounting hardware
Mounting Hardware Weight	0.16 kg 0.353 lb
Volume	1.05 L

STX192127T-N10 | E11F03P84

Weight, without mounting hardware

1.64 kg | 3.616 lb