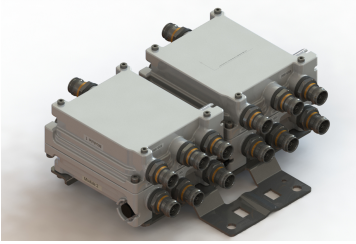


E14F10P80



Ultra Compact Quad Triplexer 698-960/1350-1880/1920-2690, 4.3-10 connectors

- Ideal for small cell applications
- Compact form factor with reduced size and weight
- Suitable for space limited applications like Metro Cell, Lamp Pole, Concealment Solution and Macro Site
- New 4.3-10 connectors for improved PIM performance and size reduction
- Quad configuration, 4x4 MIMO ready
- dc/AISG pass-through on low frequency ports

Product Classification

Product Type Triplexer

General Specifications

Color Gray

Modularity 4-Quad

Mounting Pole | Wall

Mounting Pipe Hardware Band clamps (2)

RF Connector Interface 4.3-10 Female

Dimensions

Height 88 mm | 3.465 in

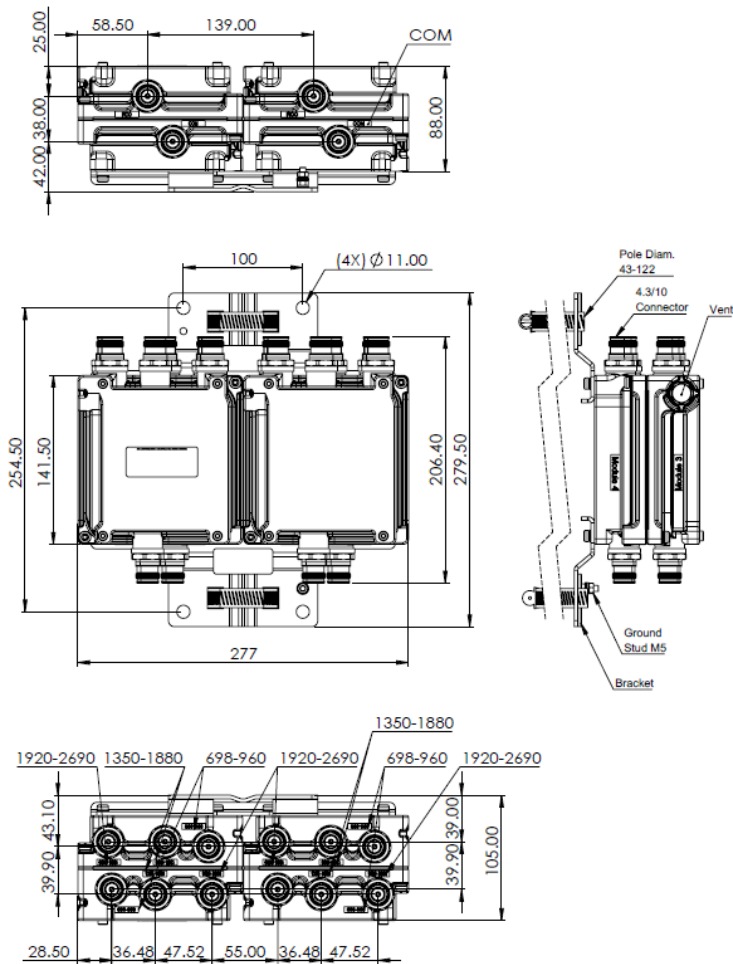
Width 277 mm | 10.906 in

Depth 141.5 mm | 5.571 in

Mounting Pipe Diameter Range 42.6–122 mm

Outline Drawing

E14F10P80



Electrical Specifications

Impedance	50 ohm
Electrical Specifications, dc Power/Alarm	
dc/AISG Pass-through Path	Branch 1
dc/AISG Pass-through, combiner	Branch 1
dc/AISG Pass-through, demultiplexer	Branch 1
Lightning Surge Current	5 kA
Lightning Surge Current Waveform	8/20 waveform

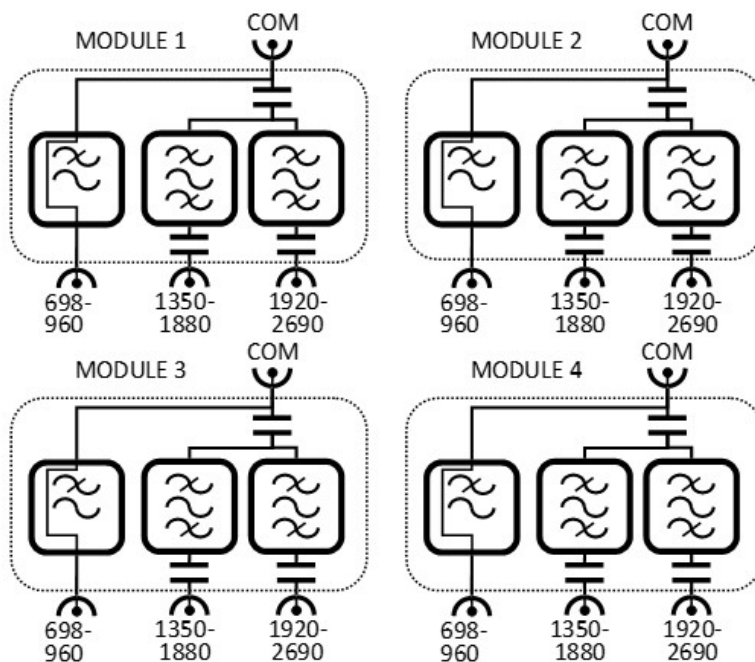
Electrical Specifications

Sub-module	1 2	1 2	1 2
-------------------	-------	-------	-------

E14F10P80

Branch	1	2	3
Port Designation	698-960	1350-1880	1920-2690
Electrical Specifications, Band Pass			
Frequency Range, MHz	698–960	1350–1880	1920–2690
Insertion Loss, typical, dB	0.1	0.25	0.2
Return Loss, typical, dB	22	22	22
Isolation, typical, dB	52	38	38
Input Power, RMS, maximum, W	100	100	100
Input Power, PEP, maximum, W	1000	1000	1000
3rd Order PIM, typical, dBc	-162	-162	-162
3rd Order PIM Test Method	Two +43 dBm carriers	Two +43 dBm carriers	Two +43 dBm carriers

Block Diagram



Environmental Specifications

Operating Temperature	-40 °C to +65 °C (-40 °F to +149 °F)
Corrosion Test Method	IEC 60068-2-11, 30 days
Environmental Test Method	ETSI EN 300 019-1-4
Ingress Protection Test Method	IEC 60529:2001, IP67

E14F10P80

Packaging and Weights

Included	Mounting hardware
Volume	3.45 L
Weight, net	5.8 kg 12.787 lb
Weight, without mounting hardware	5 kg 11.023 lb