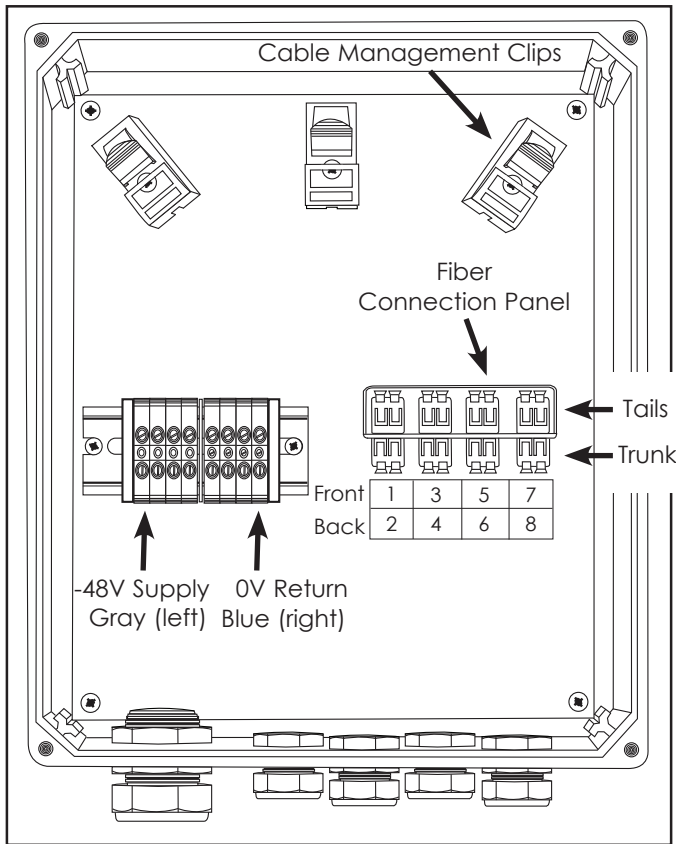
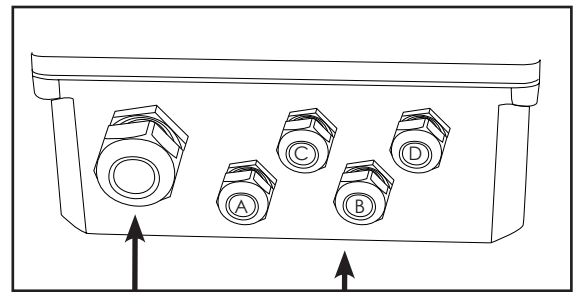


Fiber Enclosure Assembly with Internal Grounding Bracket



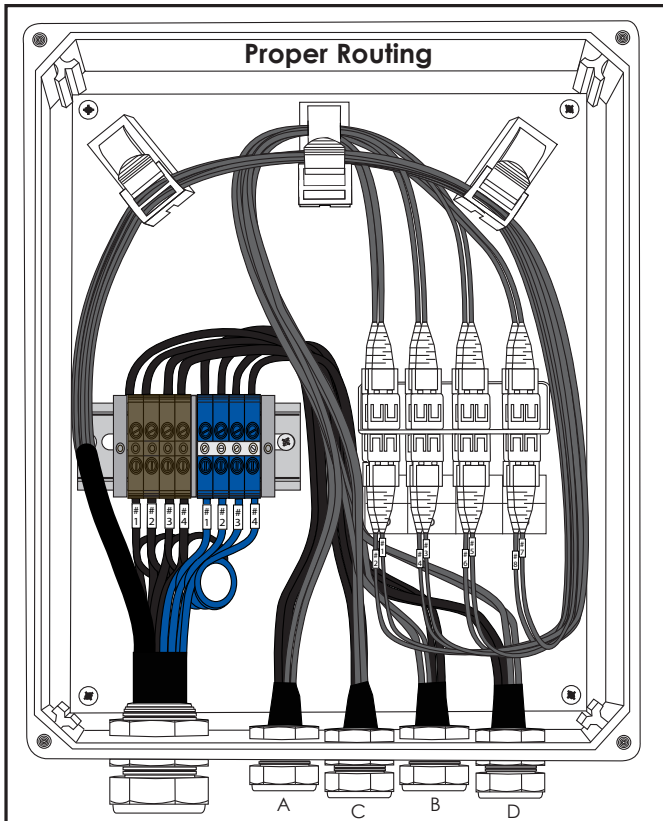
- Hinged Cover
- Lockable Latches
- Four position Fiber Terminal Strip
- Eight position Power Terminals to each polarity
- One Main Hybrid Feed Thru's; Four Hybrid Jumper Feed Thru's



Hybrid Trunk Cable Entry Port

4 - Hybrid Tail Entry Port

Note: tighten glands to full closure on tails



Gland torque spec 5 N•m (44.2 lb-in)

⚠ See included Wiring Connection Guide for further wiring guidance

POWERED BY



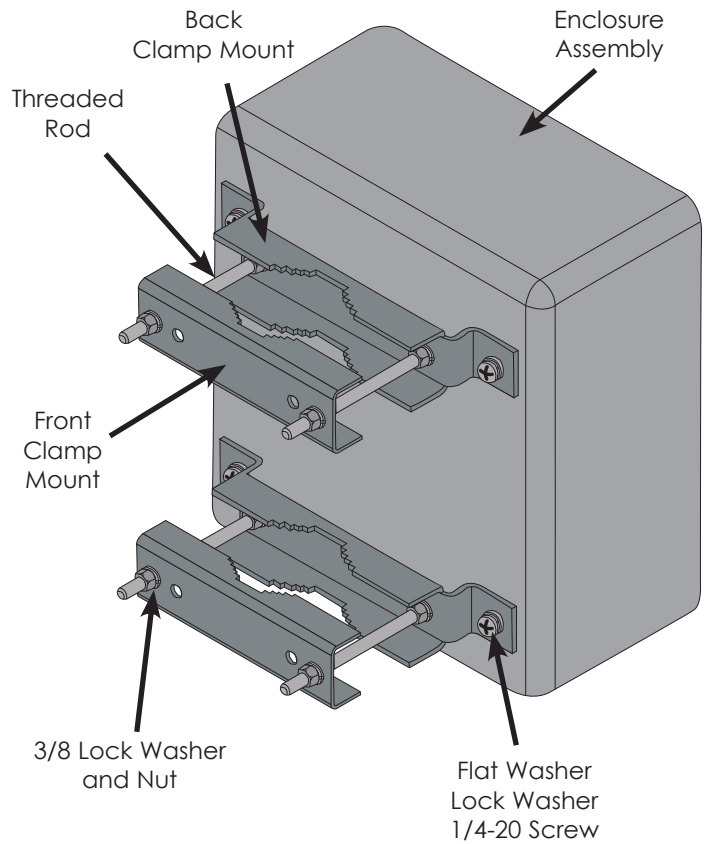
**Pipe Mounting Kit:
44mm – 114mm OD (1.75" – 4.5" OD)**

Included are the following:

- 2 - Back Clamp Mount
- 2 - Front Clamp Mount
- 4 - 3/8" X 7" SS Threaded Rod
- 8 - 3/8" SS Lock Washer
- 12 - 3/8" SS Nut
- 4 - 1/4-20 Screw
- 4 - 1/4" SS Lock Washer
- 4 - 1/4" SS Flat Washer

Insert All Thread Rod into the Back Clamp Mount and attach from both sides with Lock Washer then tighten with 3/8" nut (4 locations). Attach Back Clamp Mount to the Enclosure Assembly by placing it over the mounting feet bosses and secure with Flat Washer, Lock Washer and 1/4 - 20 Screw (4 locations - max torque 2.26 N•m – 20 lb-in).

Place Front Clamp Mount around the pipe and secure with 3/8" Nut and Lock Washer. Tighten securely (4 locations).



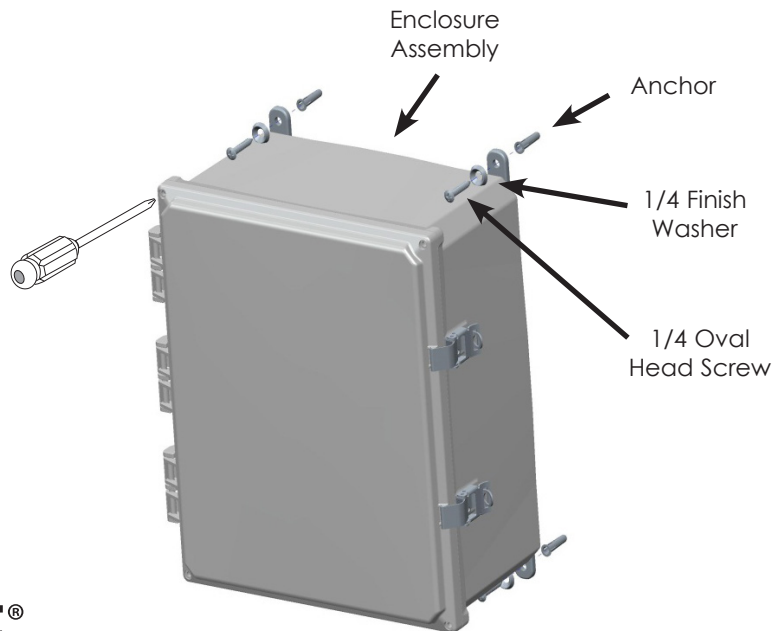
Wall Mounting Kit:

Included are the following:

- 1 - WALL ANCHOR KIT

Drill the appropriate hole in the wall or structure you wish to mount to. Insert the Anchor into the hole and place Enclosure Assembly against the wall. Secure the Enclosure Assembly with the Finish Washer and Oval Head Screw as shown.

When assembly is completed tighten lid screws (qty 4) to 0.6 N•m (5 lb-in)



www.commscope.com

Visit our Web site or contact your local CommScope representative for more information.

© 2013 CommScope, Inc. All rights reserved.

All trademarks identified by ® or ™ are registered trademarks or trademarks, respectively, of CommScope, Inc.

This document is for planning purposes only and is not intended to modify or supplement any specifications or warranties relating to CommScope products or services.