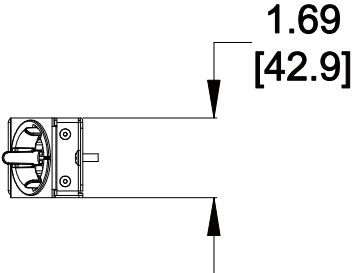
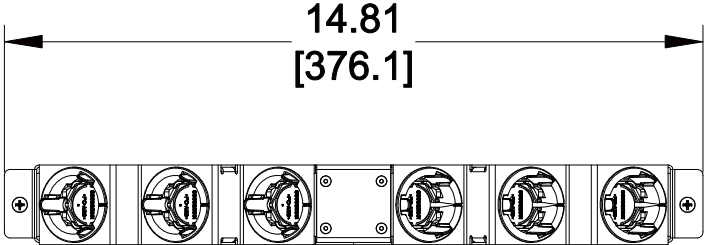
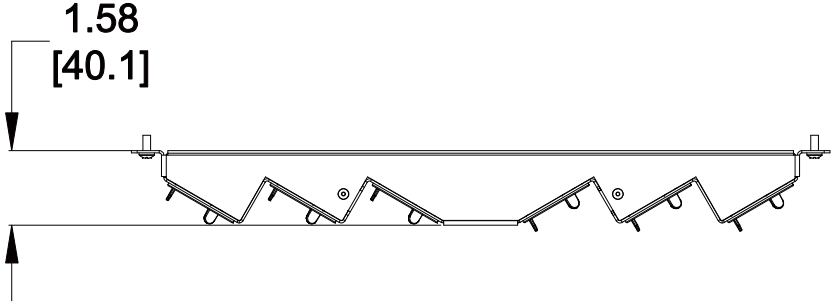


MATERIAL ID	DESCRIPTION
760207944	ASSY, REAR CABLE EXTENSION



- NOTES:
- SEE SYSTIMAX CATALOG FOR PART NUMBER SUFFIXES TO INDICATE COLOR/PKG.
  - SEE SYSTIMAX CATALOG FOR COMPLETE LIST OF PARTS RELATED TO THE USE OF THIS PRODUCT.
  - DIMENSIONS ARE IN INCHES[MM].
  - PART INCLUDES:  
 (1) ASSY, REAR CABLE EXTENSION  
 (6) ATTACHMENT, MOULDING CABLE TRUNK  
 (2) SCREW, PH, #8-32 X .38, SS

HD-1U-REAR-EXT	
<b>COMMScope, INC</b> OF NORTH CAROLINA	
SYSTIMAX® SOLUTIONS	
DRAWN BY TZ	DWG NO 760207944

REV	DATE	ECR	DESCRIPTION	APPROVED BY
1	04/16/15		INITIAL ISSUE	NCF