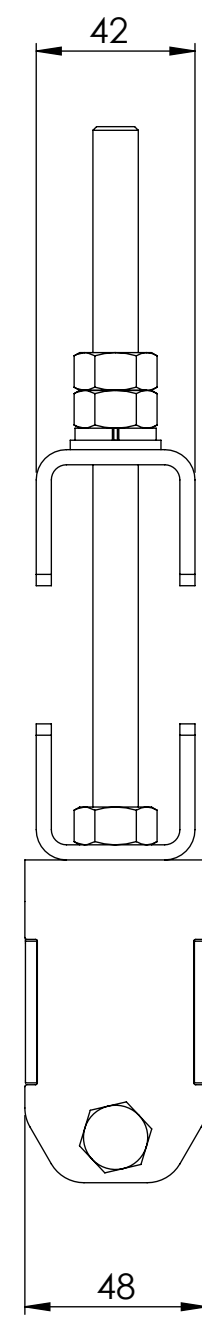
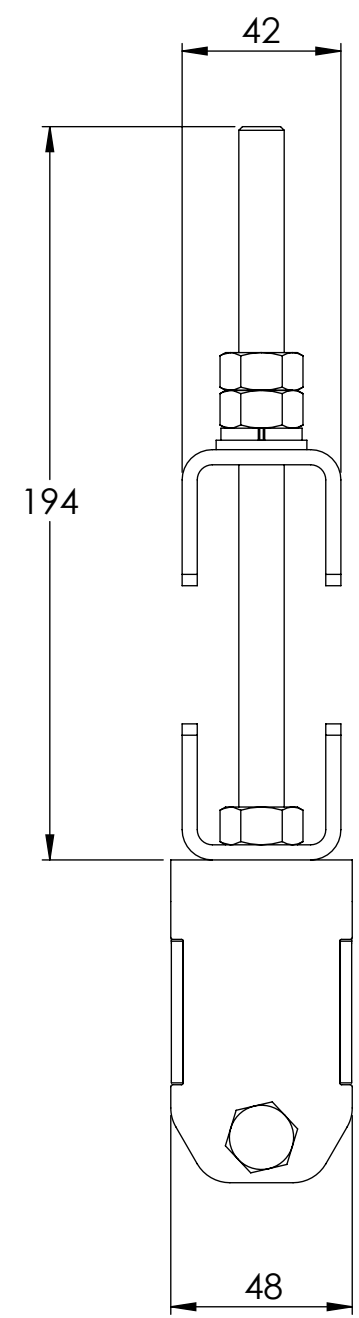
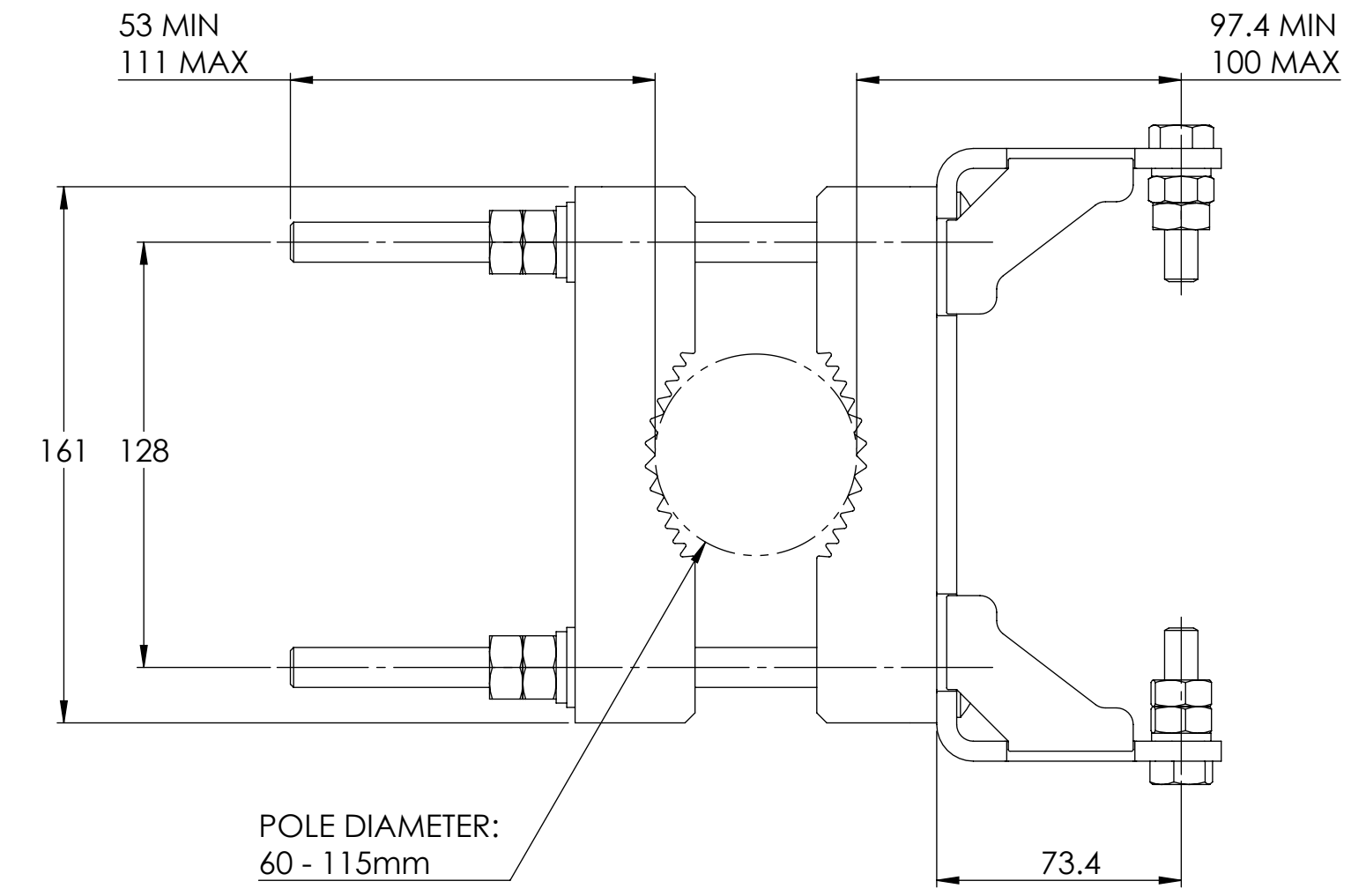
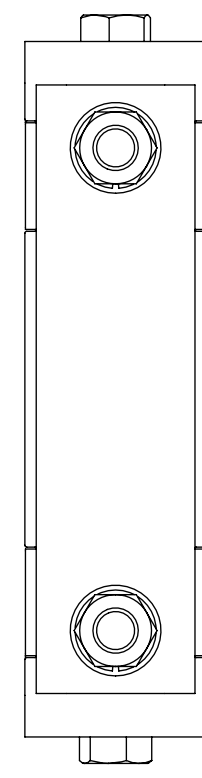
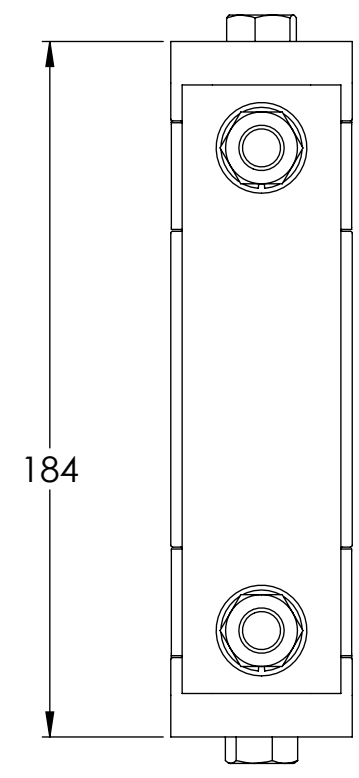


REVISIONS			
REV.	DESCRIPTION	DATE	APPROVED
A	ECR 8000032242: REL TO PRODUCTION PER EAO 606052.	01AUG19 RDD	CC/P.J



BSAMNT-AEKT

COMMSCOPE, INC. OF NORTH CAROLINA

TOLERANCES		SAP MATERIAL MASTER						
0 PLACE X ±	2 PLACE .XX ±							
1 PLACE .X ±	ANGLES ±							
FINISH		MATERIAL						
N/A		N/A						
<small>UNLESS OTHERWISE SPECIFIED DIMENSIONS ARE IN MILLIMETERS INTERPRET PER ISO STANDARDS HANDBOOK TECHNICAL DRAWINGS VOLUMES 1 & 2, THIRD EDITION (2002)</small>		NAME	DATE					
		CE RDD	01AUG19					
		RW DR1050	08/04/2019					
		RV CC1072	08/05/2019					
		AD JP1112	08/05/2019					
RE XYHANG	08/05/2019	PRODUCT DRAWING						
ECN 8000032242-O								
SCALE	DOCUMENT NO.	BSAMNT-AEKT-L						
1:2								
SIZE	WORK AREA	23	MODEL					
A2		VERSION	STATUS	REVISION	VERSION	STATUS	REVISION	SHEET 1 OF 1
		01	RE	A	00	RE	A	