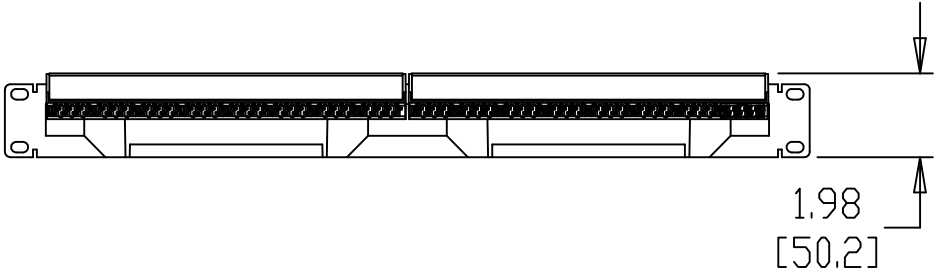
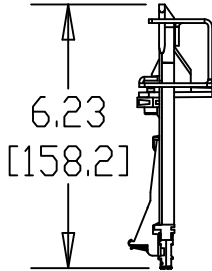
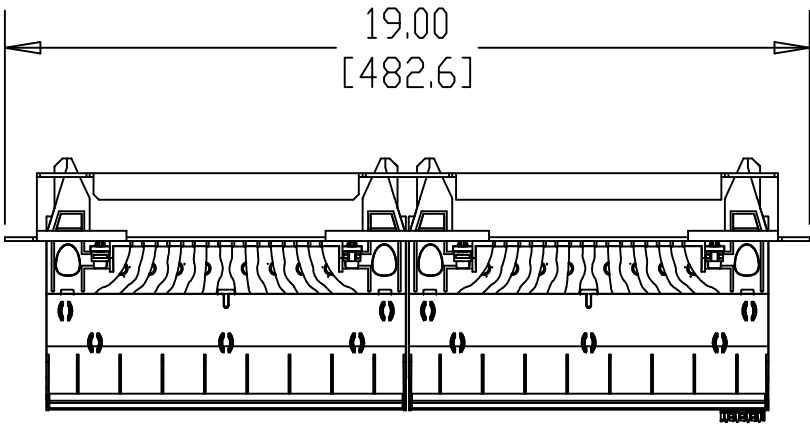


MATERIAL	DESCRIPTION	WEIGHT (lbs)
760074278	VISIPATCH 360 1-U 16 PORT PANEL KIT	



NOTES:

1. SEE SYSTIMAX CATALOG FOR PART NUMBER SUFFIXES TO INDICATE COLOR/PKG.
2. SEE SYSTIMAX CATALOG FOR COMPLETE LIST OF PARTS RELATED TO THE USE OF THIS PRODUCT.
3. DIMENSIONS IN PARENTHESES ARE IN METRIC.
4. PART INCLUDES:
 - (1) MOUNTING PANEL,VP360 1U 19 INCH
 - (2) LABEL HOLDER,DESIGNATION COVER
 - (2) WIRING BLOCK,VP360
 - (2) INDEX STRIP,VP360
 - (2) COVER,VP360 WIRING BLCOK
 - (16) ASSEMBLY,VP360 CONNECTING BLOCK
 - (4) 1/4 TURN CAM,VP360 WIRING BLOCK

VISIPATCH 360 1-U P16 PORT PANEL KIT	
COMMSCOPE, INC OF NORTH CAROLINA	
SYSTIMAX® SOLUTIONS	
DRAWN BY AW	
DATE 12/18/09	DWG NO 760074278

REV	DATE	ECR	DESCRIPTION	BY
1	12/18/09		INITIAL ISSUE	JEW