

639840 Revision P, October 2023

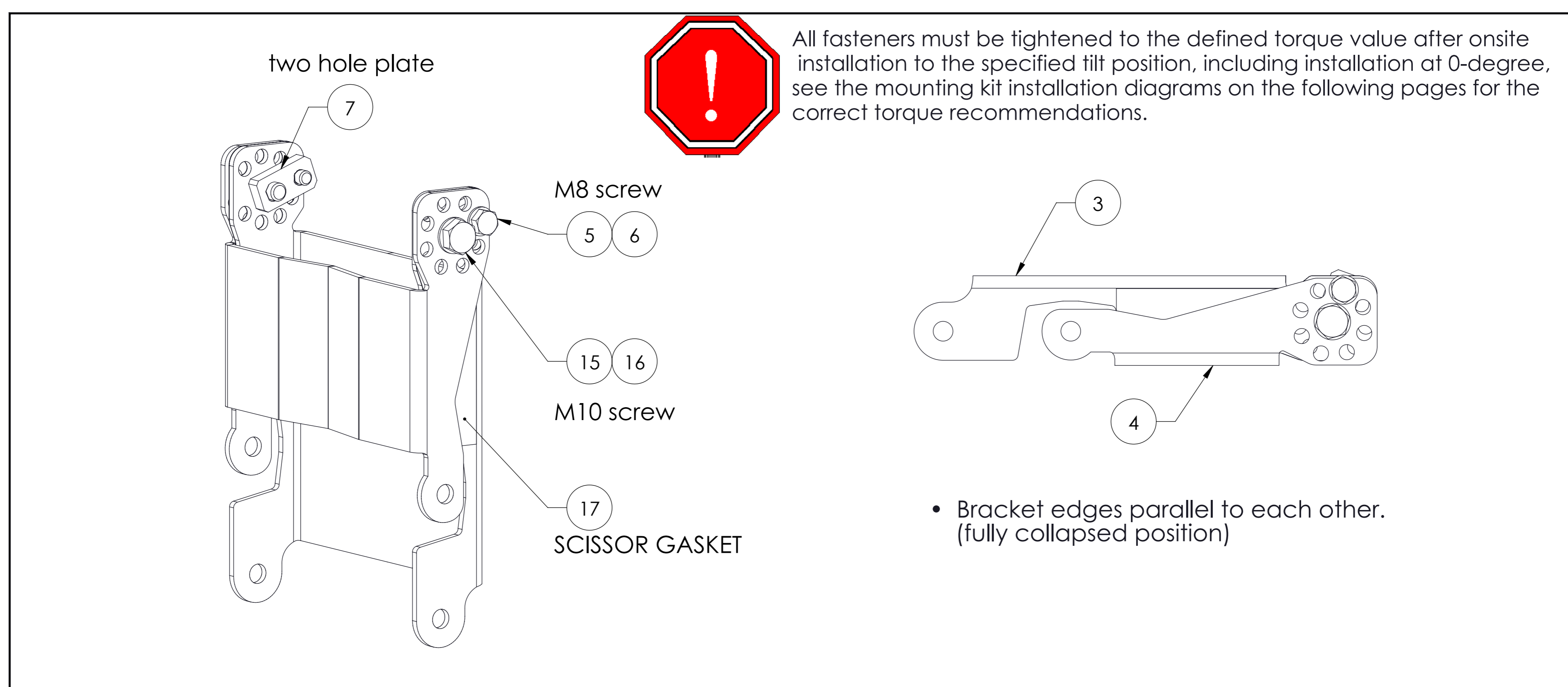
Mounting Kits For Wide Panel Antennas

BSAMNT-3, BSAMNT-M & BSAMNT-MH & BSAMNT-F: Mounting systems for cylindrical pipe installations (60-115 mm pipe diameter) for heavy duty applications

This document explains how to install an antenna using a BSAMNT mount kit. Antennas with two mount points will use BSAMNT-3 or BSAMNT-F. Antennas with three mount points will also include the BSAMNT-M or BSAMNT-MH. The antenna mechanical tilt can not be adjusted if BSAMNT-F is used.

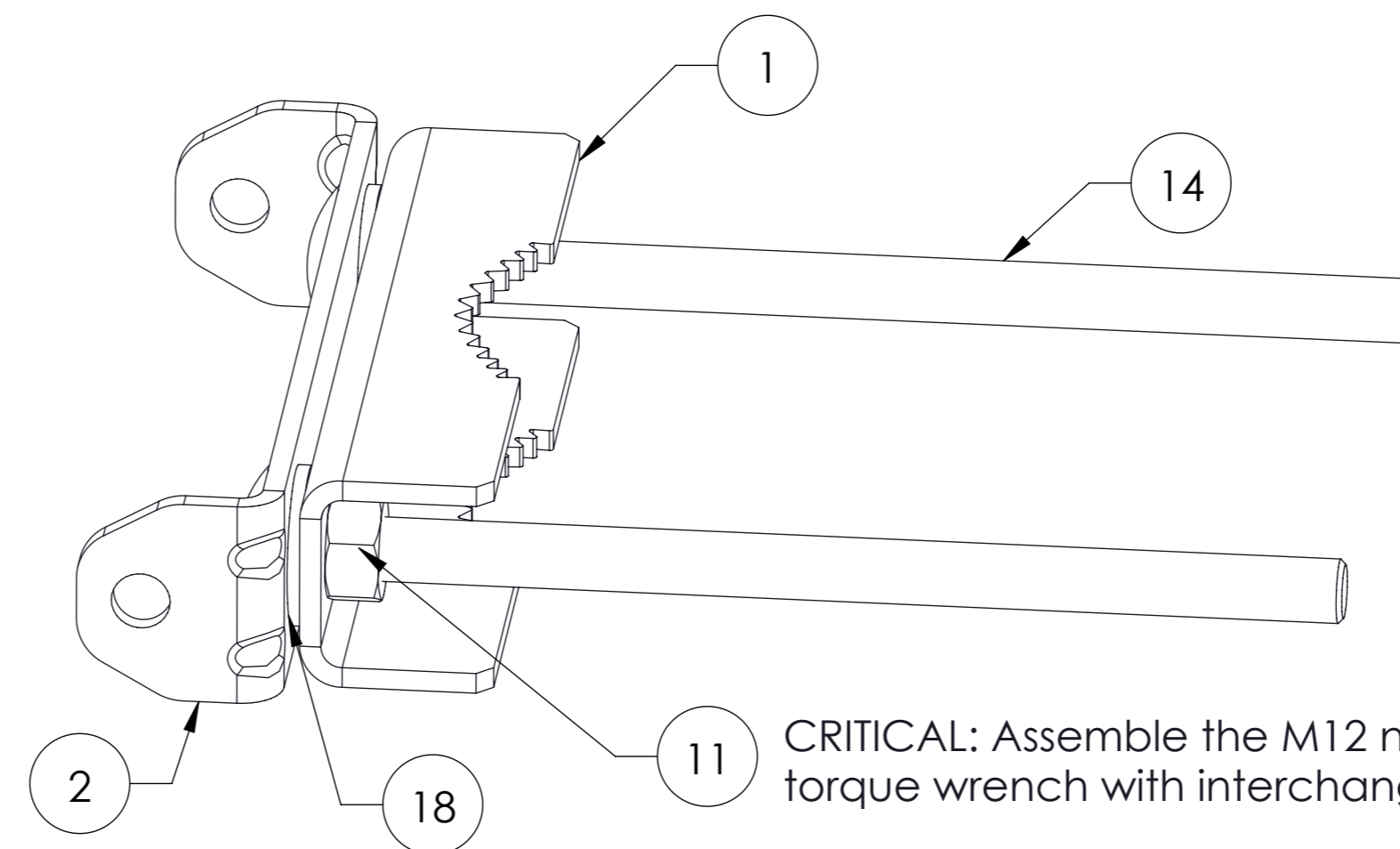
ITEM NO.	DESCRIPTION	BSAMNT-3 QUANTITY	BSAMNT-M/-MH QUANTITY	BSAMNT-F QUANTITY
1	PIPECLAMP BRACKET, NO FLANGE (SQUARE HOLE)	2	1	2
2	BRACKET, PIPE CLAMP INTERFACE	2	1	2
3	NOTCHED BRACKET	1	1	-
4	BRACKET	1	1	-
5	SCR,HCS,HEX,M8X25,10mm UNT,SST,PASS	2	2	-
6	WSHR,BELLE,M8,16-8.2-1.5,SST,PASS	2	2	-
7	PLATE, TWO HOLES	2	2	-
8	NUT,HEX,M10,STL,GALV	12	8	8
9	WSHR,FLT,M10,10.5X20X2,STL,GALV	6	4	4
10	SCR,HCS,HEX,M10X40,STL,GALV	6	4	4
11	NUT,HEX,M12,STL,GALV	12	6	12
12	WSHR,FLT,M12,13X24X2.5,STL,GALV	4	2	4
13	WSHR,LK,SPLT,M12,STL,GALV	4	2	4
14	CARRIAGE BOLT,WITH HEAT SHRINK	4	2	4
15	SCR,HCS,HEX,M10X25,10mm UNT,SST,PASS	2	2	-
16	WSHR,BELLE,M10,20-10.2-1.6,SST,PASS	2	2	-
17	SCISSOR GASKET	2	2	-
18	WSHR,FLAT,M16,17.5x30x2.5,SST	4	2	4
19	ISOLATOR	4	2	4
20	PIPECLAMP BRACKET, NO FLANGE (CIRCLE HOLE)	2	1	2

Part Lists



Pre-assembly of Downtilt Brackets by Kit Vendor (Not applicable for BSAMNT-F)

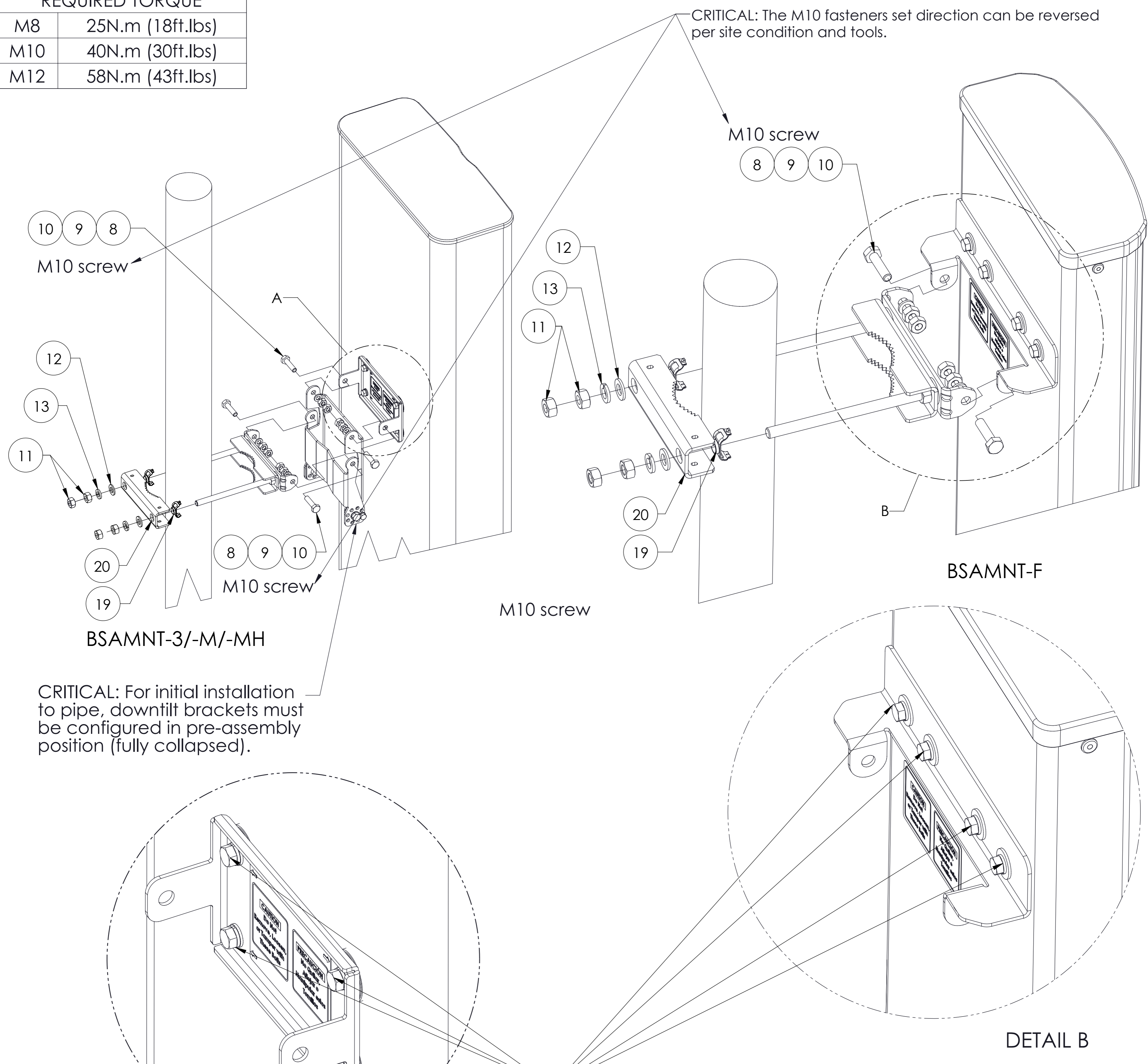
REQUIRED TORQUE	
M12	58N.m (43ft.lbs)



CRITICAL: Assemble the M12 nuts manually first and then tighten by torque wrench with interchangeable ring head.

Pre-assembly of Pipe Bracket by Field Installer (BSAMNT-3/-F QTY 2 EA) (BSAMNT-M/-MH QTY 1 EA)

REQUIRED TORQUE	
M8	25N.m (18ft.lbs)
M10	40N.m (30ft.lbs)
M12	58N.m (43ft.lbs)



CRITICAL: The M10 fasteners set direction can be reversed per site condition and tools.

M10 screw

M10 screw

BSAMNT-3/-M/-MH

BSAMNT-F

M10 screw

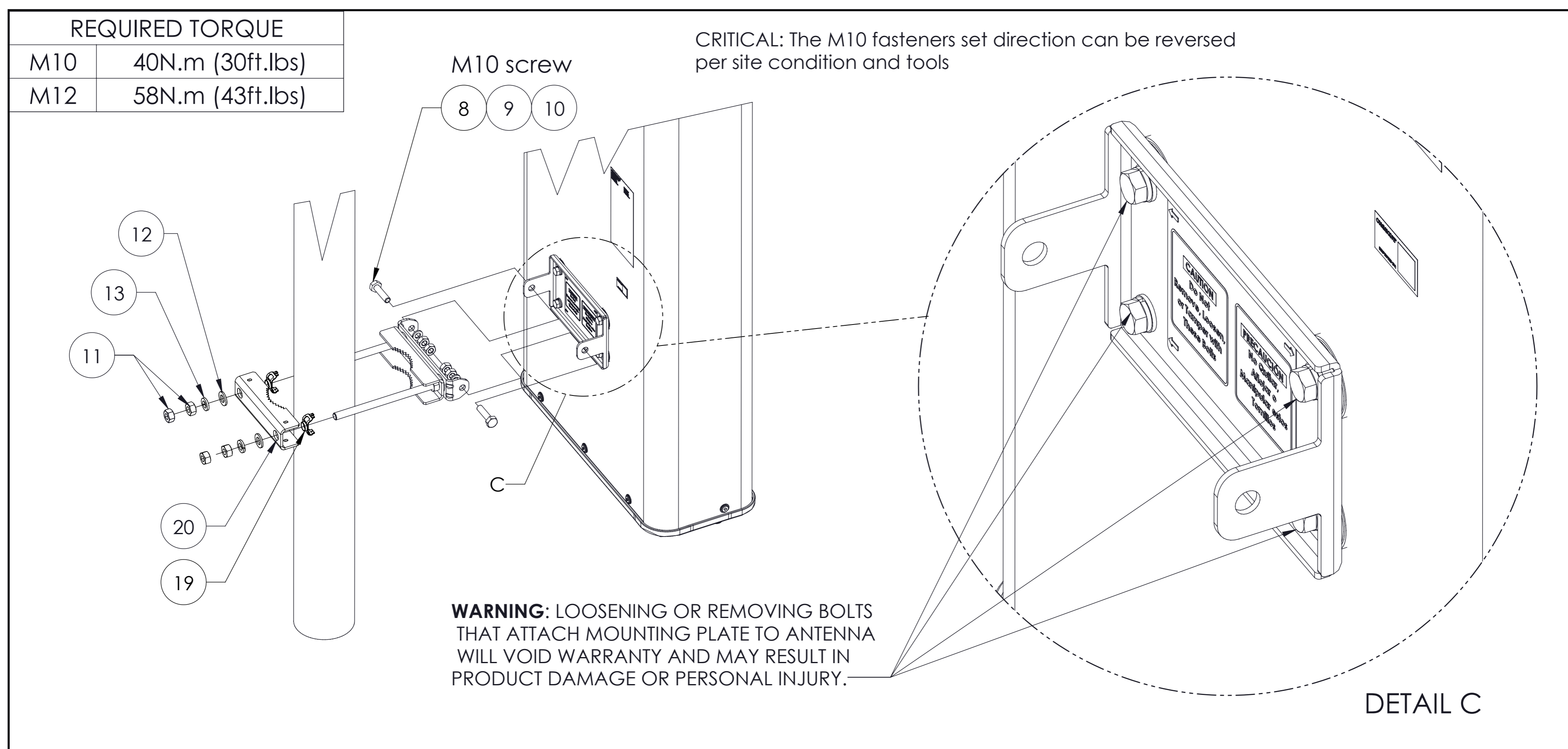
CRITICAL: For initial installation to pipe, downtilt brackets must be configured in pre-assembly position (fully collapsed).

DETAIL A

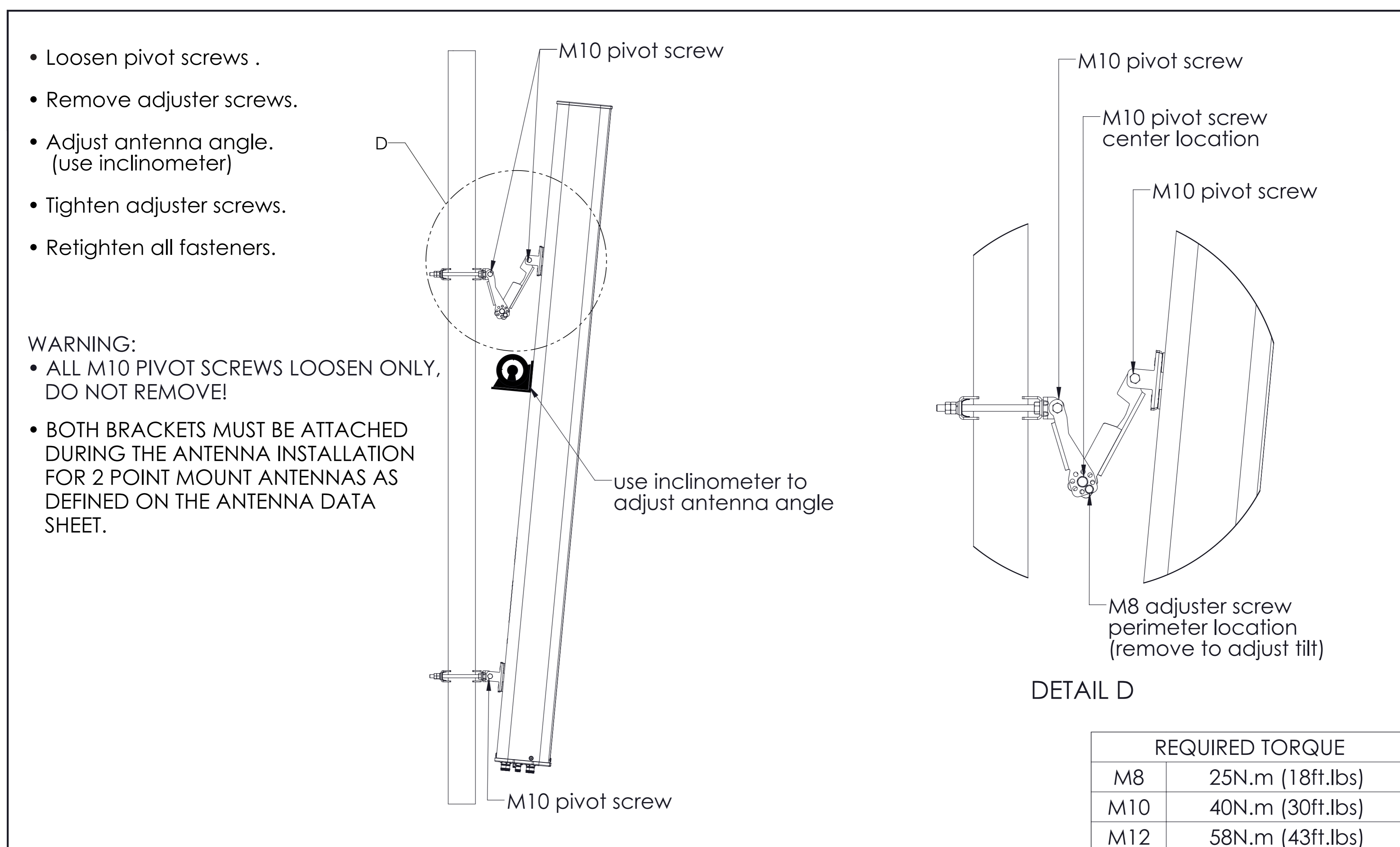
DETAIL B

WARNING: LOOSENING OR REMOVING BOLTS THAT ATTACH MOUNTING PLATE TO ANTENNA WILL VOID WARRANTY AND MAY RESULT IN PRODUCT DAMAGE OR PERSONAL INJURY.

Top / Middle Mount Installations



Bottom Mount Installation



Adjusting Antenna Tilt - 2 POINT MOUNT (Not applicable for BSAMNT-F)

- Loosen pivot screws .
- Remove adjuster screws.
- Adjust antenna angle. (use inclinometer)
- Tighten adjuster screws. Middle Bracket First
- Retighten all fasteners.

WARNING:

- ALL M10 PIVOT SCREWS LOOSEN ONLY, DO NOT REMOVE!
- ALL THREE BRACKETS MUST BE ATTACHED DURING THE ANTENNA INSTALLATION 3 POINT MOUNT ANTENNAS AS DEFINED ON THE ANTENNA DATA SHEET.

REQUIRED TORQUE	
M8	25N.m (18ft.lbs)
M10	40N.m (30ft.lbs)
M12	58N.m (43ft.lbs)

Adjusting Antenna Tilt - 3 POINT MOUNT (Not applicable for BSAMNT-F)

Remote Electrical Tilt Connection

The AISG connector fitted to the antenna is designed to accept any AISG compliant cable assembly, commscope recommends hand tightening AISG mating connector only. Applied torque to the connector shall not exceed 1.5N*m.

RF Cable Connection

The female RF connectors fitted to the antenna are designed to fit jumper cables with standard related male RF connector. Tighten the RF connector coupling according to torque specification in antenna label, if the RF connectors are tightened beyond the recommend torque, the RF connection to the antenna may be damaged.

SAFETY NOTICE

The installation, maintenance, or removal of an antenna requires qualified, experienced personnel. CommScope installation instructions are written for such installation personnel. Antenna systems should be inspected once a year by qualified personnel to verify proper installation, maintenance, and condition of equipment.

CommScope disclaims any liability or responsibility for the results of improper or unsafe installation practices.

It is recommended that transmit power be turned off when the field installation is performed. Follow all applicable safety precautions as shown on this page.



Do not install near power lines. Power lines, telephone lines, and guy wires look the same. Assume any wire or line can electrocute you.



Do not install on a wet or windy day or when lightning or thunder is in the area. Do not use metal ladder.



Wear shoes with rubber soles and heels. Wear protective clothing including a long-sleeved shirt and rubber gloves.