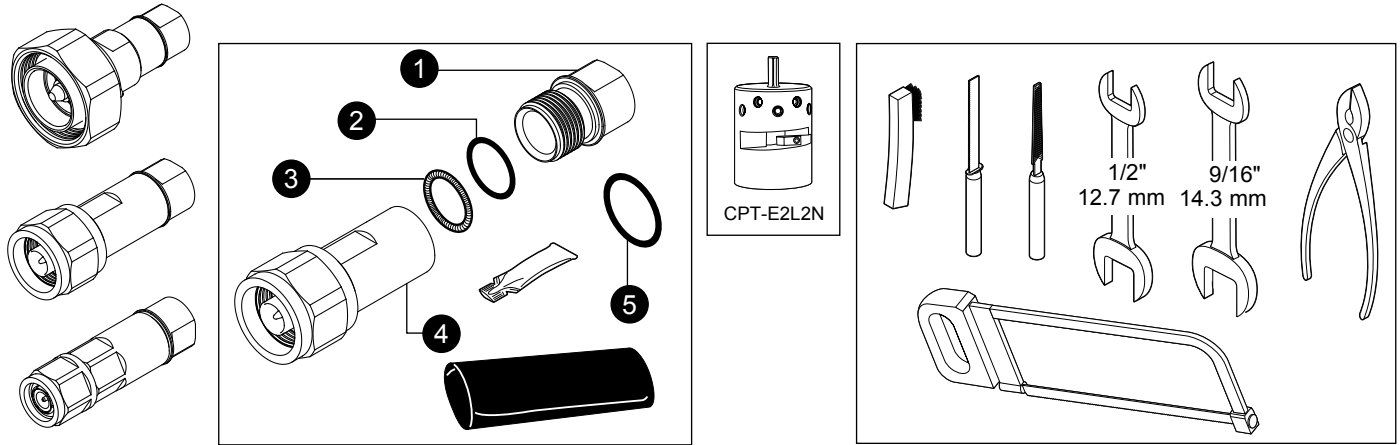


Installation Instructions

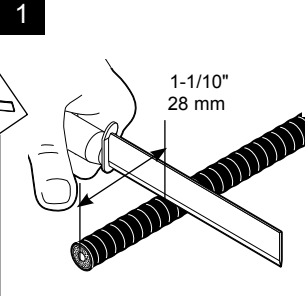
Positive Lock Connectors (L2*-PL)

for HELIAX® LDF2-50 Coaxial Cable

Andrew Institute offers installation training



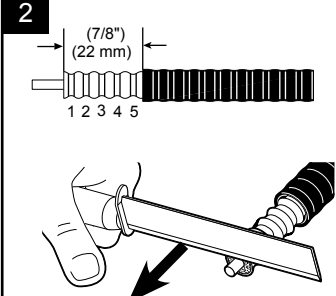
1



1-1/10"
28 mm

Straighten cable. Remove jacket.
将电缆拉直，剥下护皮

2

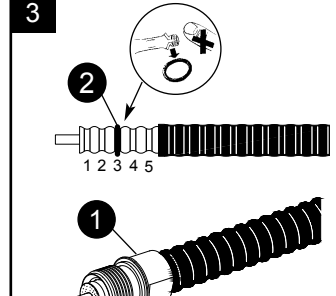


(7/8")
(22 mm)

1 2 3 4 5

Cut cable at top of corrugation, remove outer conductor, foam, and adhesive.
切除电缆波纹状外导管顶部，除去外导管、泡沫、和粘合剂。

3



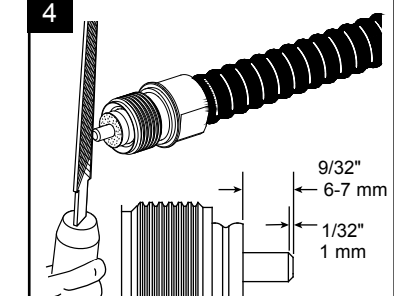
2

1

1 2 3 4 5

Add O-ring, grease, clamp.
加O型圈，油脂。

4

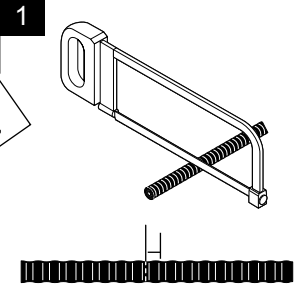


9/32"
6-7 mm

1/32"
1 mm

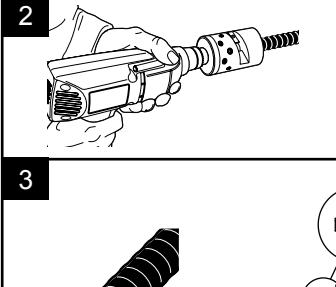
Taper inner conductor.
锥形内心导体

1




Straighten cable. Cut square.
将电缆拉直，垂直锯入

2



Apply pressure until tool clicks.
施加压力直到工具发出啞声

3

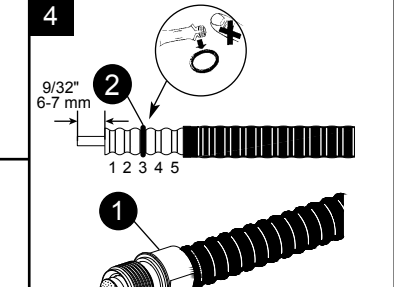


Top of corrugation

1 2 3 4 5

Check the cut plane to ensure at the top of corrugation. If it's not at the top of corrugation, then needs to manually cut 1-2mm of inner conductor and use the tool re-trim cable as above shown.
检查切面确保在电缆波纹状外导管顶部，如果不在顶部，需手工切除内导体1-2mm，用电动工具重新剥线至上图所示。

4



9/32"
6-7 mm

2

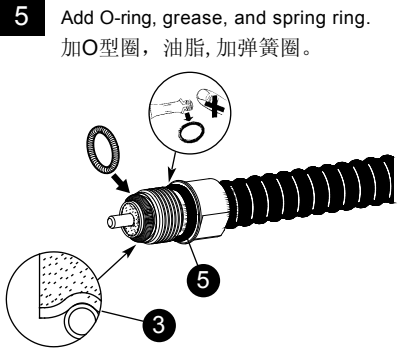
1

1 2 3 4 5

Add O-ring, grease, clamp.
加O型圈，油脂。

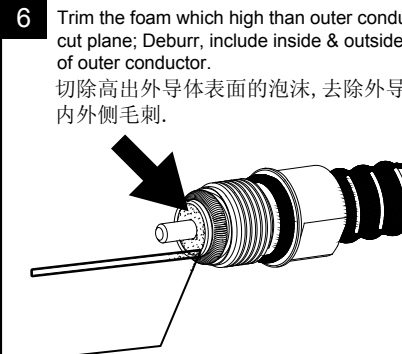
5

Add O-ring, grease, and spring ring.
加O型圈，油脂，加弹簧圈。



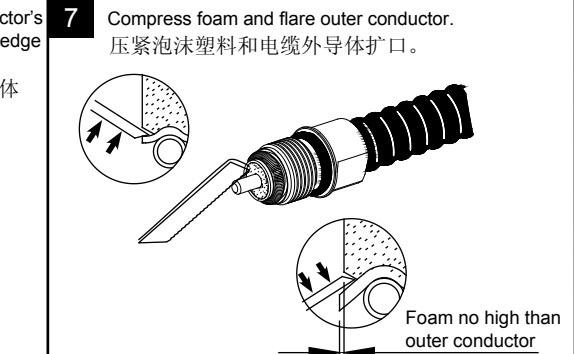
6

Trim the foam which high than outer conductor's cut plane; Deburr, include inside & outside edge of outer conductor.
切除高出外导体表面的泡沫，去除外导体内外侧毛刺。

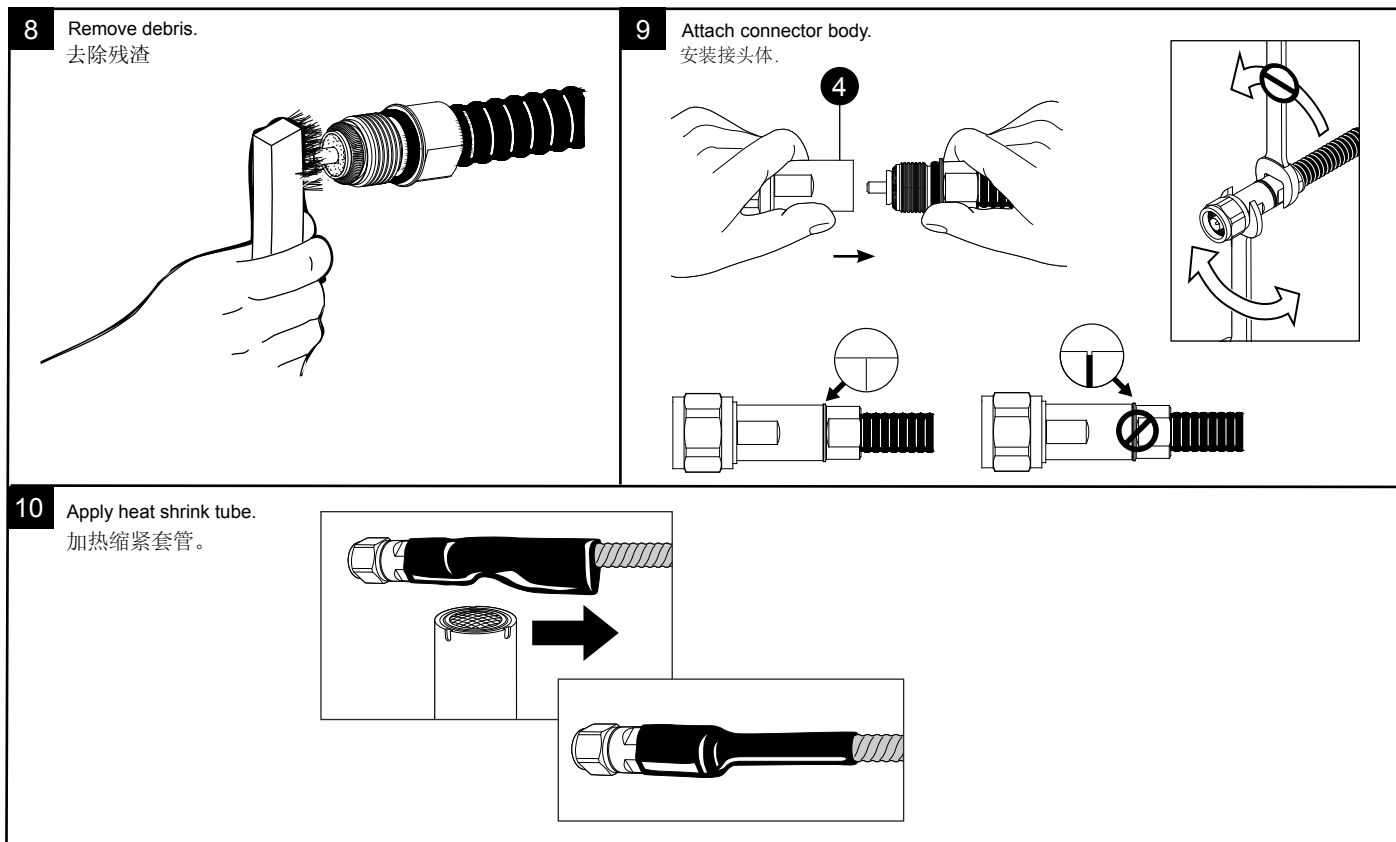


7

Compress foam and flare outer conductor.
压紧泡沫塑料和电缆外导体扩口。

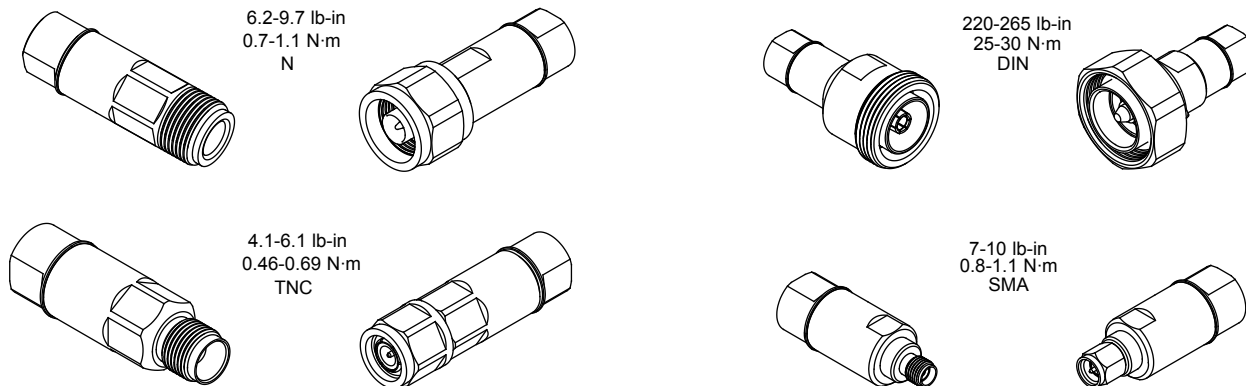



Foam no high than outer conductor



Coupling Torque.

配合扭矩.



	表一 有毒有害物质或元素名称及含量标识格式					
	有毒有害物质或元素					
部件名称 (Part Name)	铅 (Pb)	汞 (Hg)	镉 (Cd)	六价铬 (Cr6+)	多溴联苯 (PBB)	多溴二苯醚 (PBDE)
连接器 (Connector)	X	O	O	O	O	O
O: 表示有毒有害物质在该部件所有的均质材料中的含量均在SJ/T 11363-2006规定的限量要求以下。 X: 表示该有毒有害物质至少在该部件的某一均质材料中的含量超出SJ/T 11363-2006规定的限量要求。						

Andrew LLC

Customer Service 24 hours

U.S.A., Canada, Mexico: +1-800-255-1479
 U.K.: 0800 250055 Brazil: +55-15-2102-4000
 Other Europe: +44 592 782 612

www.commscope.com

Visit our Web site at www.commscope.com or contact your local Andrew LLC representative for more information.

© 2013 CommScope, Inc. All rights reserved.
 Andrew LLC is a trademark of CommScope. All trademarks identified by ® or ™ are registered trademarks or trademarks, respectively, of CommScope. This document is for planning purposes only and is not intended to modify or supplement any specifications or warranties relating to Andrew LLC products or services.

Notice: Andrew LLC disclaims any liability or responsibility for the results of improper or unsafe installation, inspection, maintenance, or removal practices.
 Aviso: Andrews LLC no acepta ninguna obligación ni responsabilidad como resultado de prácticas incorrectas o peligrosas de instalación, inspección, mantenimiento o retiro.
 Avis: Andrew LLC décline toute responsabilité pour les conséquences de procédures d'installation, d'inspection, d'entretien ou de retrait incorrectes ou dangereuses.
 Hinweis: Andrew LLC lehnt jede Haftung oder Verantwortung für Schäden ab, die aufgrund unsachgemäßer Installation, Überprüfung, Wartung oder Demontage auftreten.
 Atenção: A Andrew LLC abdica do direito de toda responsabilidade pelos resultados de práticas inadequadas e sem segurança de instalação, inspeção, manutenção ou remoção.
 Avvertenza: Andrew LLC declina eventuali responsabilità derivanti dall'esecuzione di procedure di installazione, ispezione, manutenzione e smontaggio improprie o poco sicure.
 注意: Andrew 公司申明對於不恰當或不安全的安裝、檢驗、維修或拆卸操作所導致的後果不負任何義務和責任

