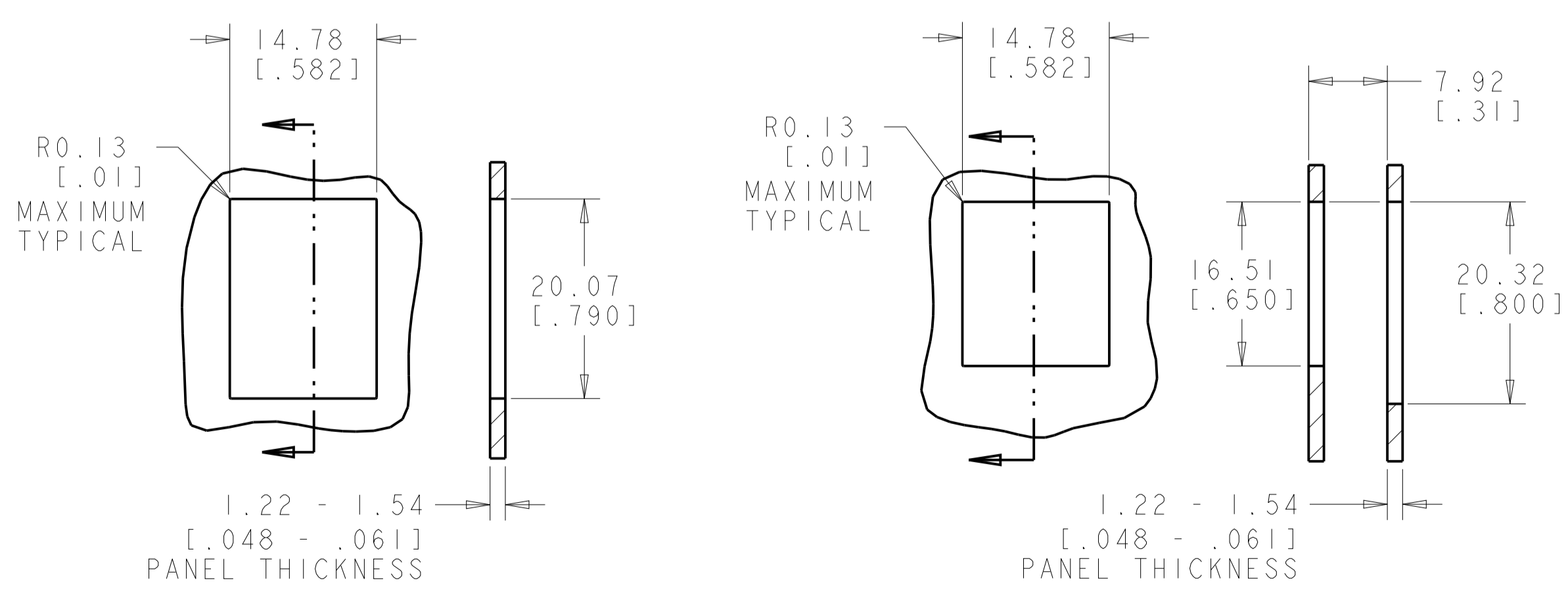
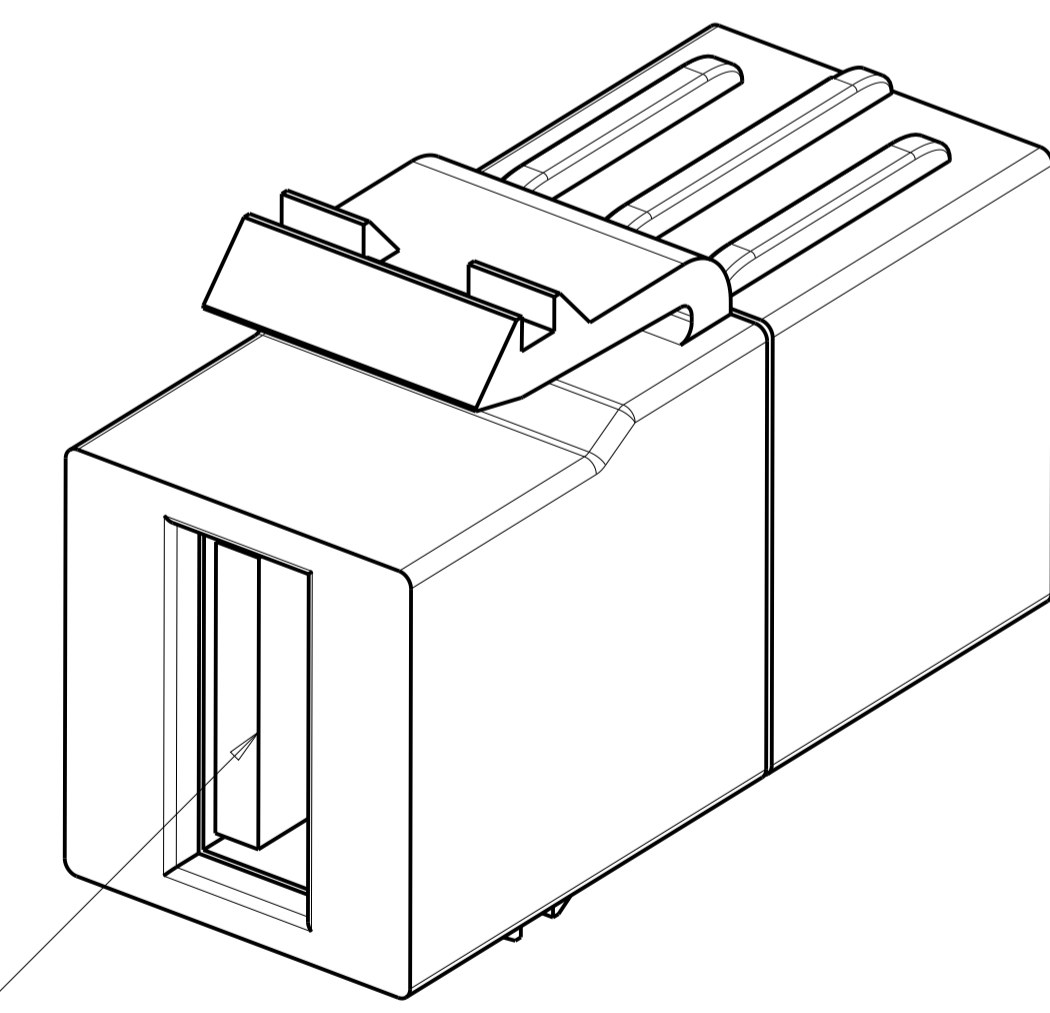
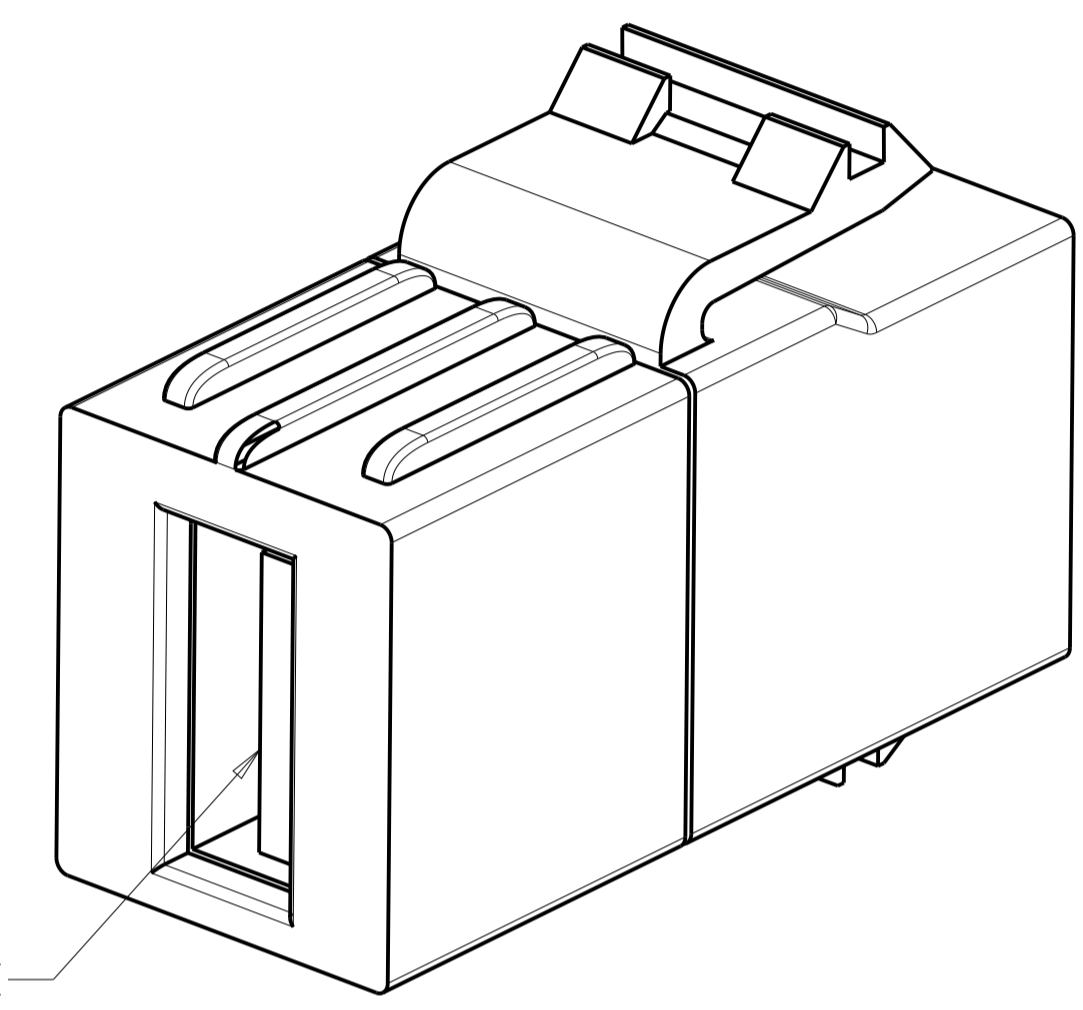
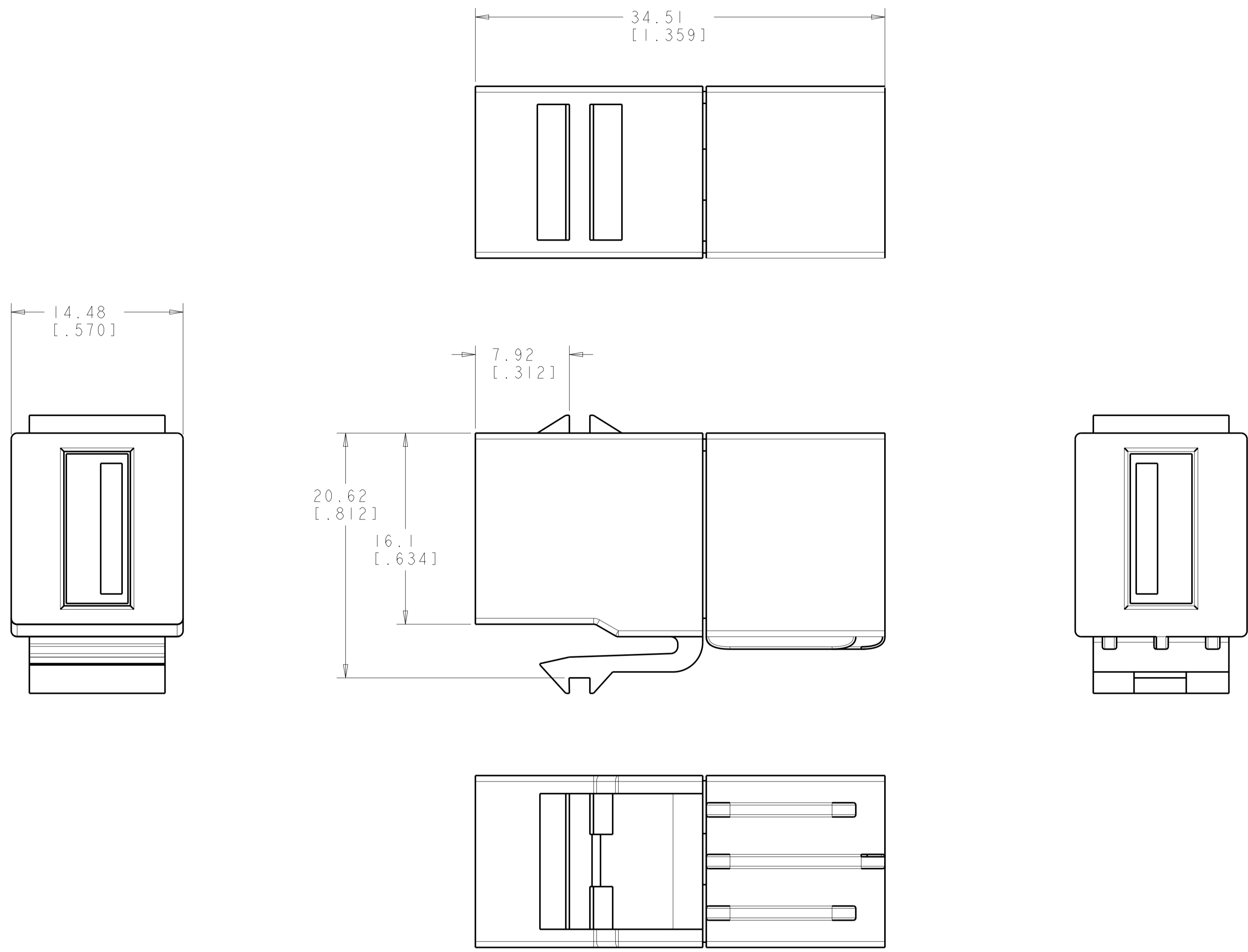


REVISIONS				
REV	DATE	DESCRIPTION	BY	APP'D
B	04JUN2013	REV; ECO-13-009275	GG	RA
C	30JAN2015	REV; ECO-15-001352	GG	RA
D	01FEB2017	REV PER BNS_CD_BRAND	GG	DC

- HM 00
- ⚠ MATERIAL:  
 HOUSING - UL 94V-0 RATED ABS.  
 SEE TABLE FOR COLOR.
- CONNECTOR: STANDARD USB A TYPE.
  - COMPLIES WITH ROHS DIRECTIVE 2002/95/EC TO BE LEAD FREE.



SINGLE PANEL CUTOUT

SUGGESTED FLUSH MOUNT PANEL APPLICATION CUTOUT

ALPINE WHITE	I-1933659-3
BLACK	1933659-2
COLOR	PART NUMBER

THIS DRAWING IS A CONTROLLED DOCUMENT. DWN: G. GARRETT 11APR2008  
 CHK: S. ALLGOOD 17APR2008  
 APVD: S. ALLGOOD 17APR2008

COMMSCOPE, INC.  
 USB A-A COUPLER, SL JACK STYLE

SIZE: A1 CAGE CODE: 1933659 DRAWING NO: 1933659-2  
 WEIGHT: - RESTRICTED TO: -  
 Customer Drawing SCALE: 4:1 SHEET 1 OF 1 REV D