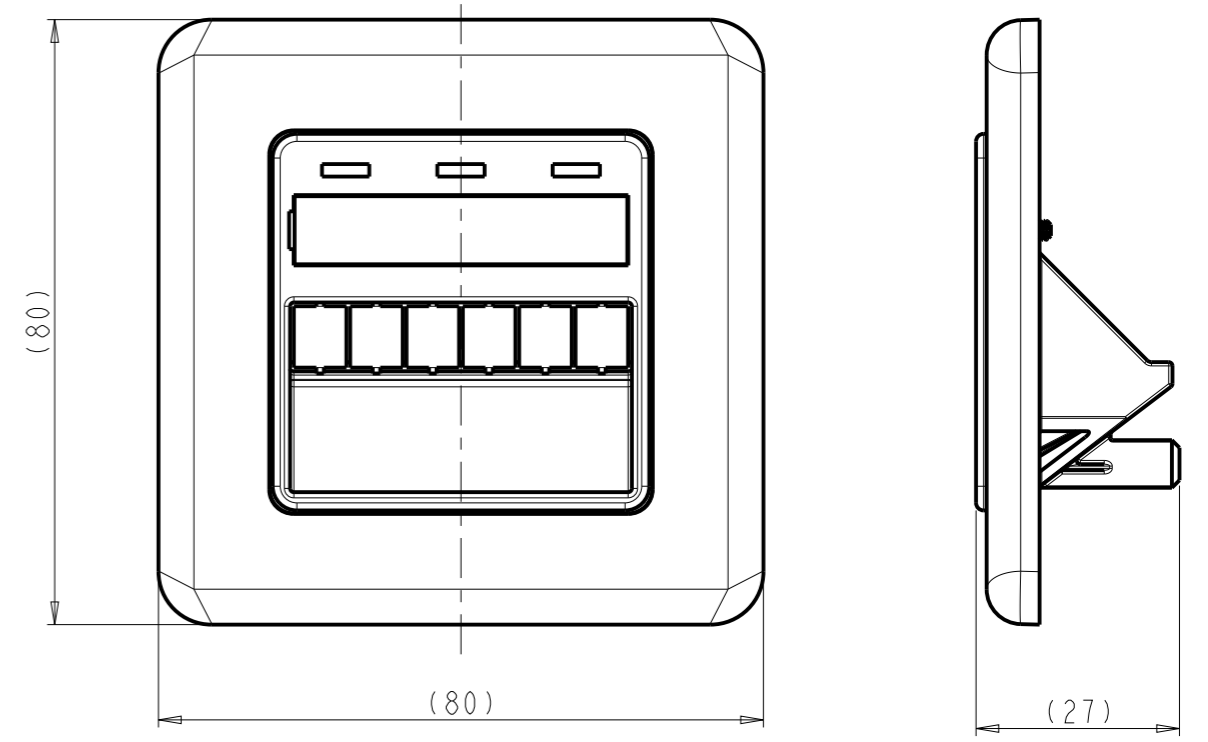
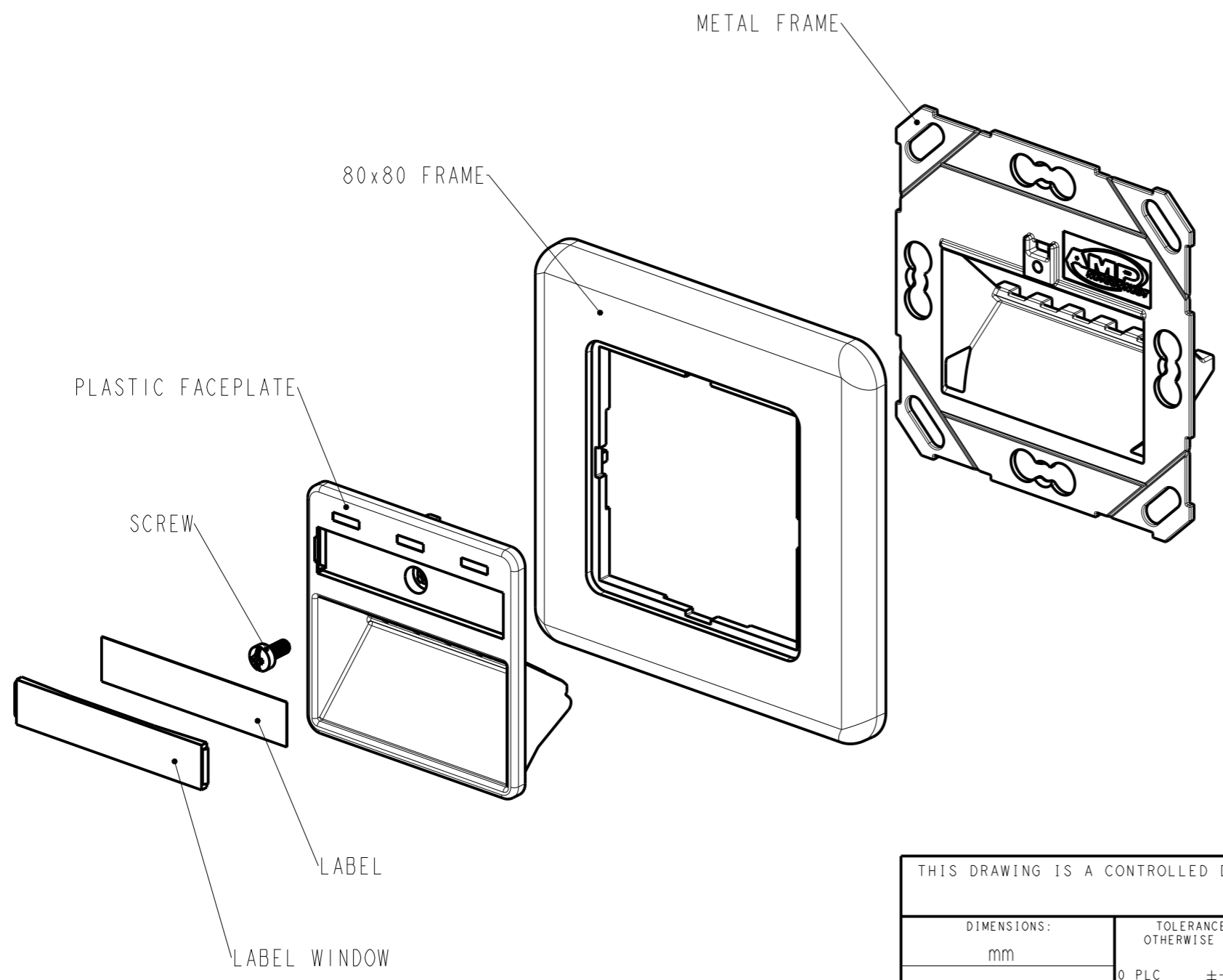


THIS DRAWING IS UNPUBLISHED. RELEASED FOR PUBLICATION

© 2016 COMMSCOPE, INC. CONFIDENTIAL NOTICE: THESE DRAWINGS AND SPECIFICATIONS ARE THE PROPRIETARY PROPERTY OF COMMSCOPE, INC. AND MAY BE USED ONLY FOR THE SPECIFIC PURPOSE AUTHORIZED IN WRITING BY COMMSCOPE, INC.

REVISIONS					
P	LTR	DESCRIPTION	DATE	DWN	APVD
	A	ISSUED	10OCT2006	FCH	JS
	B	RELEASED	14DEC2006	ACG	JS
	BI	NOTES AND BOM CLARIFICATION	04MAR2008	LC	JS
	C	REV PER ECN 8000019153	18JAN2017	GG	LS

PACKAGING:
 - EACH UNIT IN A CARTON BOX WITH CORRESPONDING LABEL
 - 10 UNITS IN A CARTON BOX WITH ONE INSTRUCTION SHEET AND CORRESPONDING LABEL
 - 6 BOXES OF 10 UNITS (60 UNITS) IN A CARTON BOX WITH CORRESPONDING LABEL



QTY		MATERIAL	DESCRIPTION	ITEM
1	1	PC	LABEL WINDOW	6
1	1	PAPER	LABEL	5
1	1	STEEL	POZIDRIV SCREW M2.5x8.5mm	4
1	-	PC	PLASTIC FACEPLATE, WHITE	3
-	1	PC	PLASTIC FACEPLATE, ALMOND	
1	-	PC	80x80 PLASTIC FRAME, WHITE	2
-	1	PC	80x80 PLASTIC FRAME, ALMOND	
1	1	Zn ALLOY	METAL FRAME	1
-2	-1	MATERIAL	DESCRIPTION	ITEM

THIS DRAWING IS A CONTROLLED DOCUMENT.		DWN F. CHAMORRO 10OCT2006	COMMSCOPE, INC.		
DIMENSIONS: mm		CHK A. CARRERAS 10OCT2006			
TOLERANCES UNLESS OTHERWISE SPECIFIED: 0 PLC ±.5 1 PLC ±0.5 2 PLC ±0.2 3 PLC ±. 4 PLC ±. ANGLES ±.		APVD J. SANABRA 18DEC2006	DRAWING NO C-1711537		
MATERIAL -		PRODUCT SPEC -	SIZE A3	CAGE CODE	RESTRICTED TO -
FINISH -		APPLICATION SPEC 114-93009	SCALE		
		WEIGHT -	SHEET OF REV C		
		CUSTOMER DRAWING			